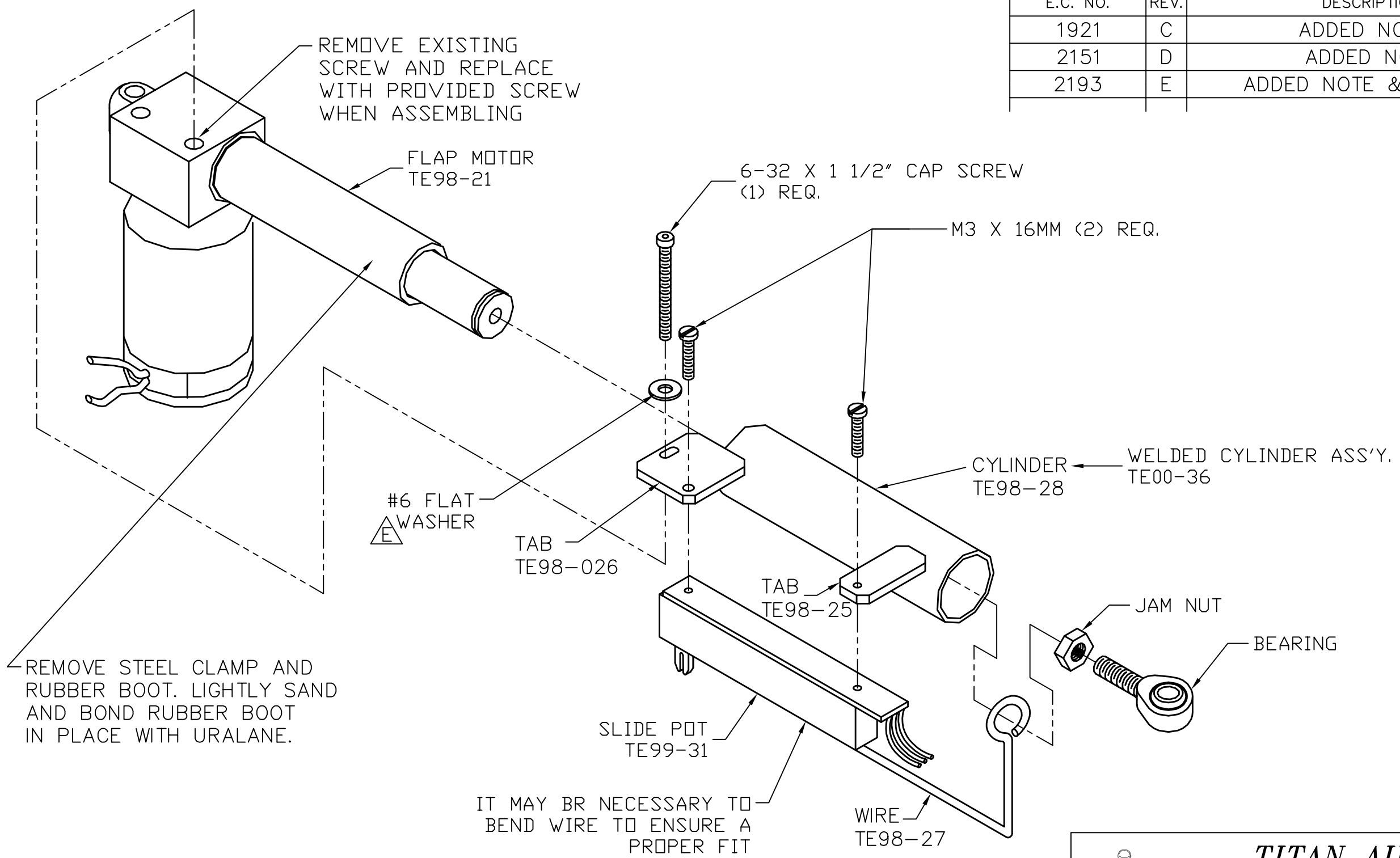



REVISIONS

E.C. NO.	REV.	DESCRIPTION	BY	DATE
1921	C	ADDED NOTES	KL	4/01
2151	D	ADDED NOTE	CE	11/04
2193	E	ADDED NOTE & WASHER	SH	2/06



NOTES:  - USE LOCTITE 242 GENERAL PURPOSE (BLUE), ON 6-32 CAP SCREW & BEARING & JAM NUT.

TITAN AIRCRAFT SUPPLY
 1419 STATE ROUTE 45 SOUTH
 AUSTINBURG, OHIO 44010

MATERIAL	AS NOTED
DRAWN H. OLAH	DATE 6-25-98
CHECKED	DATE
APPROVED	DATE

DETAIL NAME	ELECTRIC FLAP SYSTEM & TRIM SENSOR		
SCALE	PART NO. TE98-24		
ASSEMBLY NAME	WING FLAP TRIM ASSEMBLY		
PART NO.	N/A	DRAWING NO.	
DRAWING NO.	B 98-AS-0972-E		

THIS DOCUMENT PROPRIETARY TO TITAN AIRCRAFT, AND IS NOT TO BE USED, CIRCULATED, REPRODUCED, COPIED, OR DISCLOSED IN ANY MANNER WITHOUT PRIOR WRITTEN PERMISSION OF AN AUTHORIZED OFFICIAL OF TITAN AIRCRAFT.