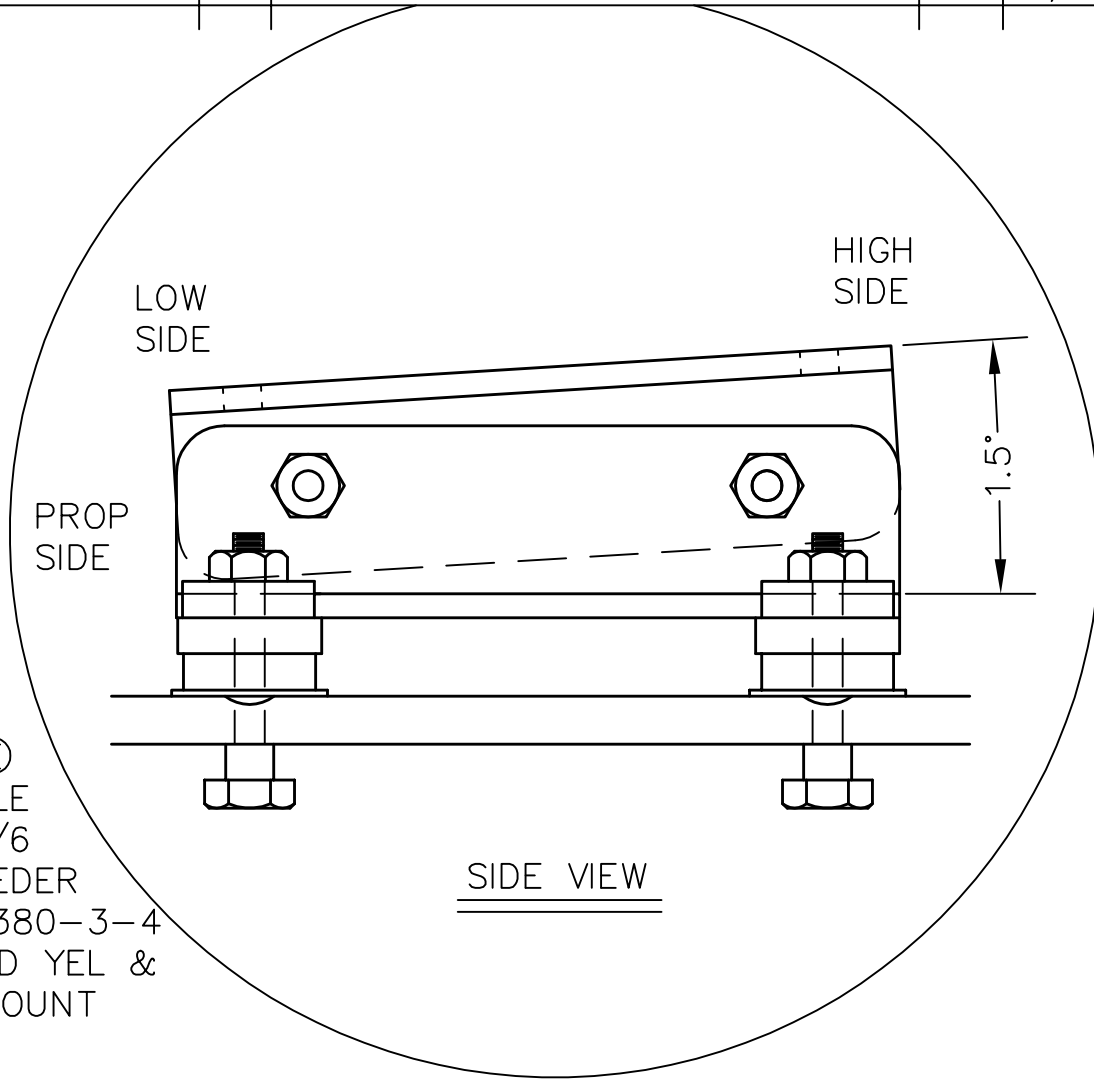
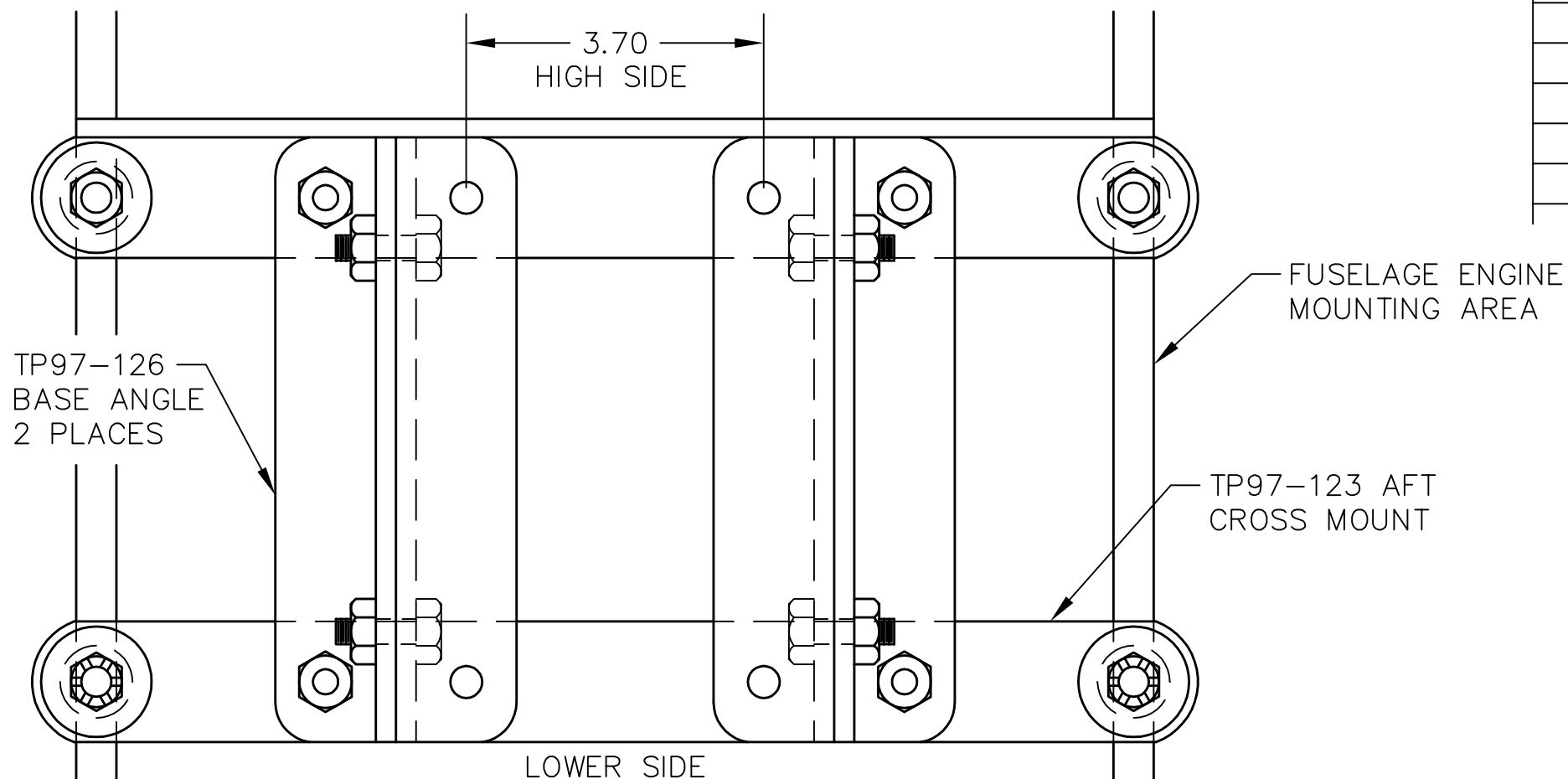


REVISIONS				
E.C. NO.	REV.	DESCRIPTION	BY	DATE
1113	B	MOUNTING POINTS NOW STANDARD	K.B.	8/97
1217	C	PART NUMBERS & NOTES ADDED	HO	1/99
2012	D	BOLT WAS AN5-10A	KL	9/01
2102	E	MOTOR MOUNT BOLT WAS AN6-27	KL	12/02



AN5-7A BOLT, (D)
AN365-524 NYLON
LOCK NUT &
AN960-516
WASHER

TP97-125 TOP
ANGLE -
LEFT SIDE

FROM REAR
OF AIRCRAFT

TP97-124 TOP
ANGLE -
RIGHT SIDE

AN6-31 BOLT, (E)
AN310-6 CASTLE
NUT, AN960-5/6
WASHER(2), FNEDER
WASHER(1), AN380-3-4
COTTER PIN AND YEL &
WHITE BERRY MOUNT
4 PLACES

CASTLE NUT WITH COTTER PIN

AN5-10A BOLT
AN365-524 NYLON LOCK
NUT & AN960-516 WASHER(1)
THESE BOLTS ARE INSTALLED
FROM THE BOTTOM DUE TO LIMITED
CLEARNESS.

TITAN AIRCRAFT SUPPLY
1419 STATE ROUTE 45 SOUTH
AUSTINBURG, OHIO 44010

MATERIAL	TP97-124
	TP97-122 TP97-125 TP97-123 TP97-126(2)
DRAWN	K. BOHRER
DATE	2/20/97
CHECKED	GAT
DATE	1/21/03
APPROVED	JW
DATE	1/22/03

DETAIL NAME ROTAX 2-STROKE ENGINE MOUNTS	
SCALE N/A	PART NO. N/A
ASSEMBLY NAME TORNADO W/ ROTAX 2-STROKE ENGINE	
PART NO. N/A	DRAWING NO.
DRAWING NO. B 97-INS-0836-E	

THIS DOCUMENT PROPRIETARY TO TITAN AIRCRAFT, AND IS NOT TO BE USED, CIRCULATED, REPRODUCED, COPIED, OR DISCLOSED IN ANY MANNER WITHOUT PRIOR WRITTEN PERMISSION OF AN AUTHORIZED OFFICIAL OF TITAN AIRCRAFT.