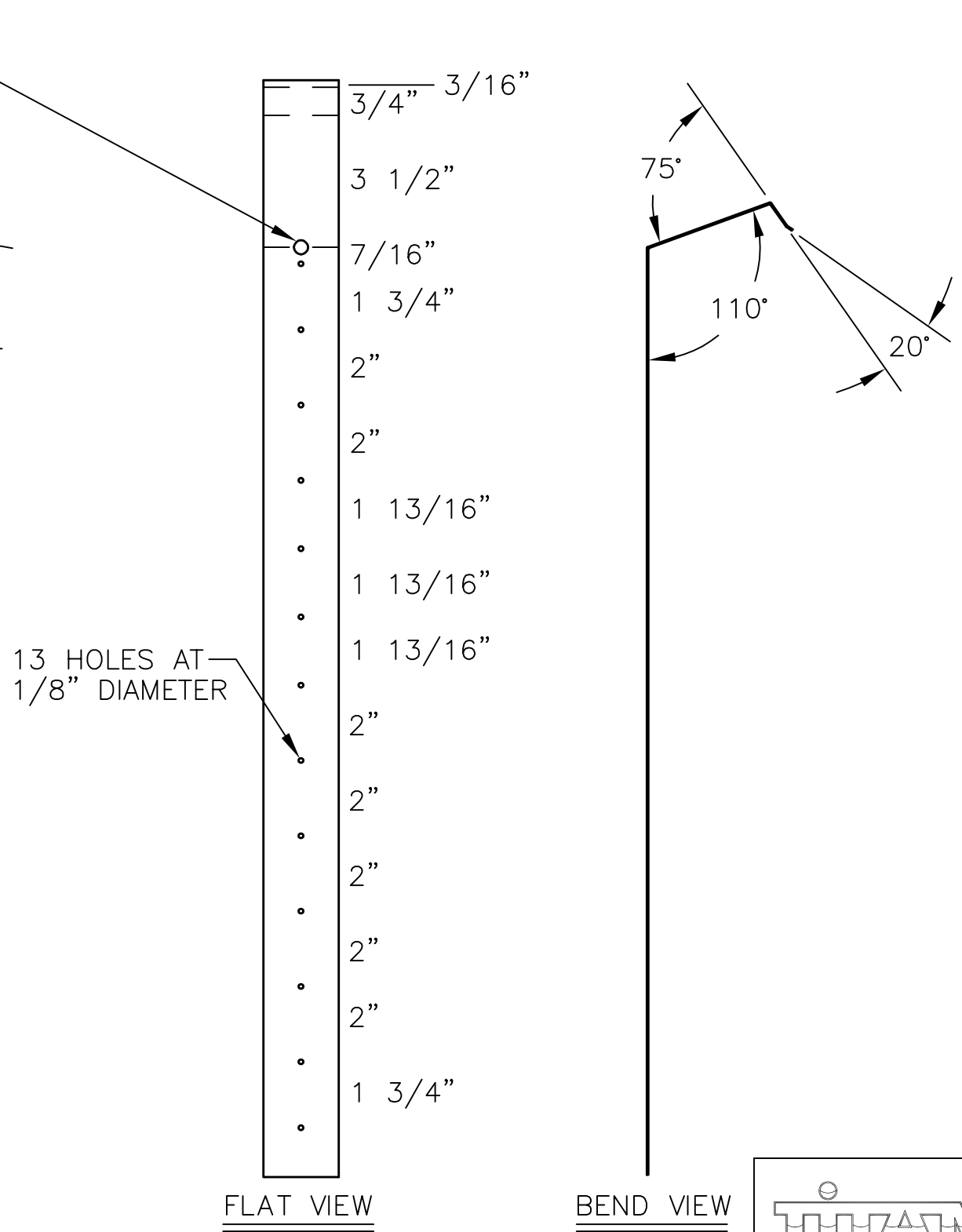
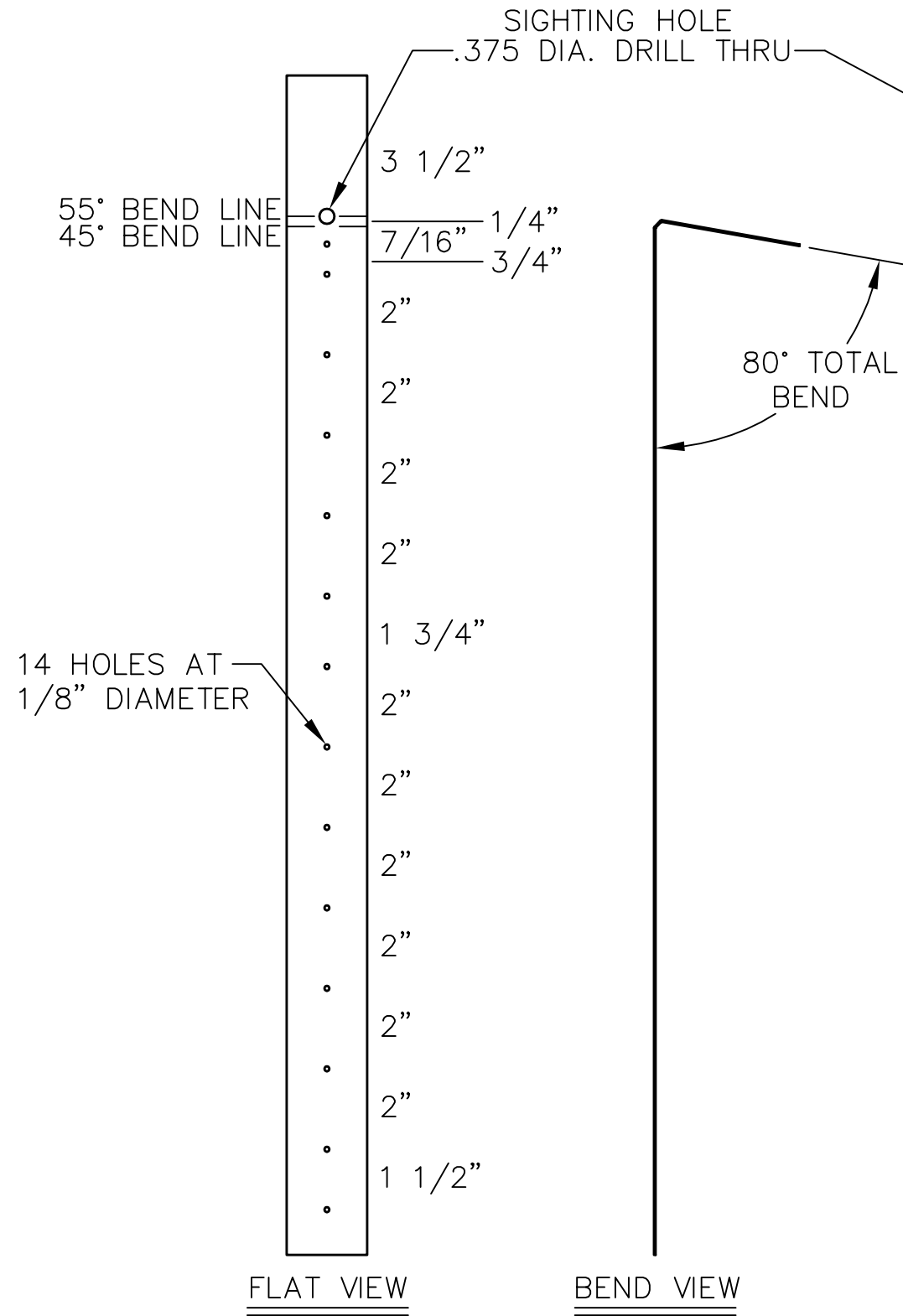


TOP WING SKIN

BOTTOM WING SKIN



THIS DOCUMENT PROPRIETARY TO TITAN AIRCRAFT, AND IS NOT TO BE USED, CIRCULATED, REPRODUCED, COPIED, OR DISCLOSED IN ANY MANNER WITHOUT PRIOR WRITTEN PERMISSION OF AN AUTHORIZED OFFICIAL OF TITAN AIRCRAFT.

PARTS ARE TO BE SHEET ALUMINUM WITH A LAYER OF TAPE ON THE UNDERSIDE TO PREVENT SCRATCHING OF THE WING SKINS

TITAN AIRCRAFT SUPPLY
1419 STATE ROUTE 45 SOUTH
AUSTINBURG, OHIO 44010

DETAIL NAME		WING SKIN RIVET PATTERN TEMPLATES	
SCALE	1/4"=1"	PART NO.	
ASSEMBLY NAME		SINGLE AND TWO PLACE WINGS	
PART NO.		DRAWING NO.	
DRAWING NO.	B 96-INS-0784-A		

DRAWN K. BOHRER	DATE 11/18/96
CHECKED B. PASSAFIUME	DATE 11/21/96
APPROVED J. WILLIAMS	DATE 11/26/96