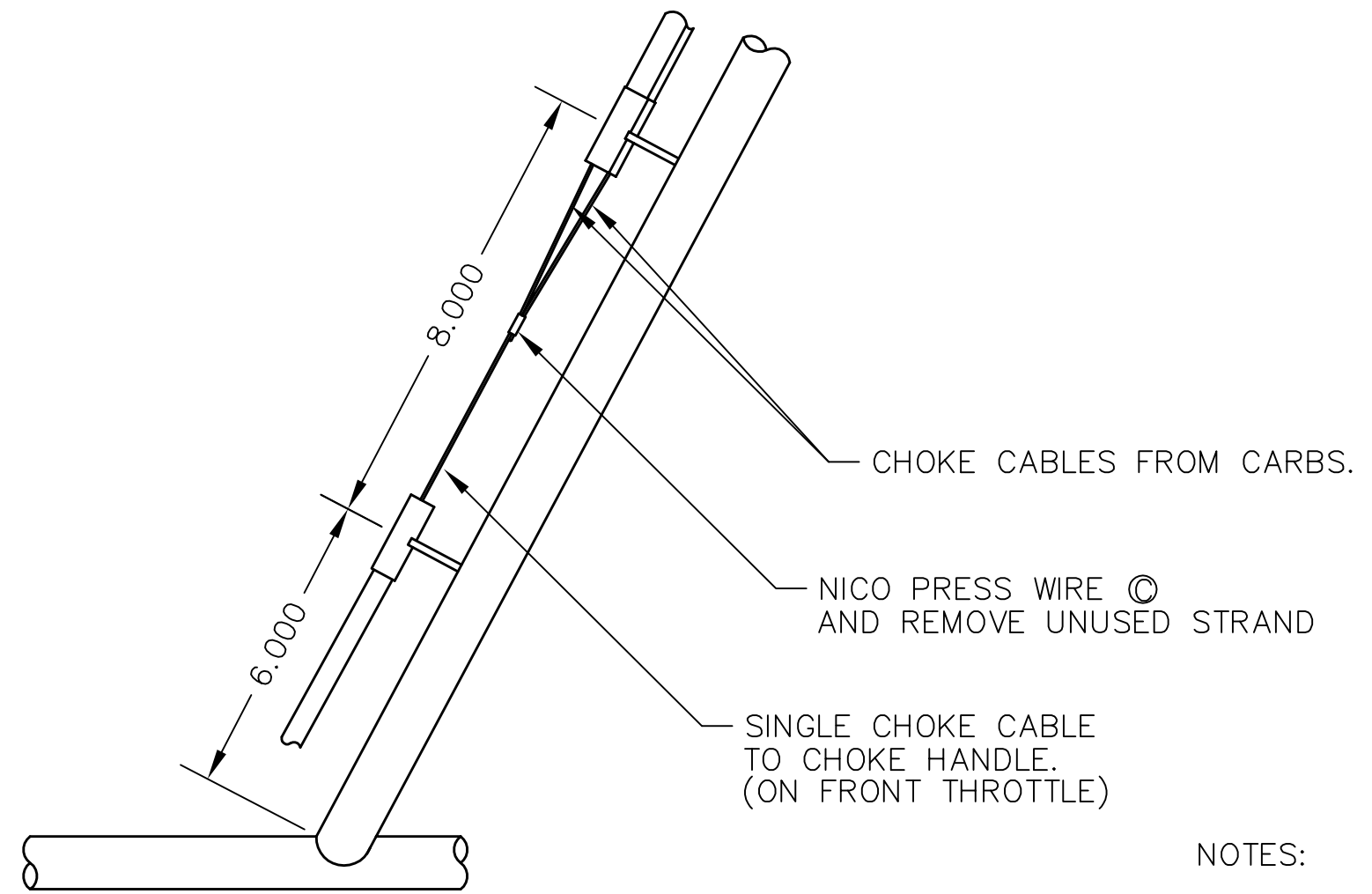


| REVISIONS | | | | |
|-----------|------|-------------------------------|----|------|
| E.C. NO. | REV. | DESCRIPTION | BY | DATE |
| | A | DRAWING RELEASED | KB | 9/95 |
| 1807 | B | DIMENSIONS WERE 8.000 & 6.000 | KL | 1/01 |
| 1950 | C | WAS SPELLED NIKO | KL | 4/01 |



- NOTES:
- ALL DIMENSIONS IN INCHES
 - ALL TOLERANCES $\pm .030$
 - FROM 95-INS-0576-A

NOTE:
 MAKE SURE NICO IS CENTERED BETWEEN CABLE STOPS
 TO INSURE CHOKE HAS ROOM TO FULLY OPEN AND CLOSE.

TITAN AIRCRAFT SUPPLY
 1419 STATE ROUTE 45 SOUTH
 AUSTINBURG, OHIO 44010

| | | | |
|----------------------|-------------|--|--------------|
| MATERIAL | | DETAIL NAME AS NOTED | |
| DRAWN K. BOHRER | DATE 9/8/95 | SCALE FULL | PART NO. N/A |
| CHECKED R. INGLE | DATE 5/1/01 | ASSEMBLY NAME CHOKE CABLE MERGE MOUNTING | |
| APPROVED J. WILLIAMS | DATE 5/1/01 | PART NO. N/A | DRAWING NO. |
| | | DRAWING NO. B 95-INS-0592-C | |

THIS DOCUMENT PROPRIETARY TO TITAN AIRCRAFT. AND IS NOT TO BE USED, CIRCULATED, REPRODUCED, COPIED, OR DISCLOSED IN ANY MANNER WITHOUT PRIOR WRITTEN PERMISSION OF AN AUTHORIZED OFFICIAL OF TITAN AIRCRAFT.