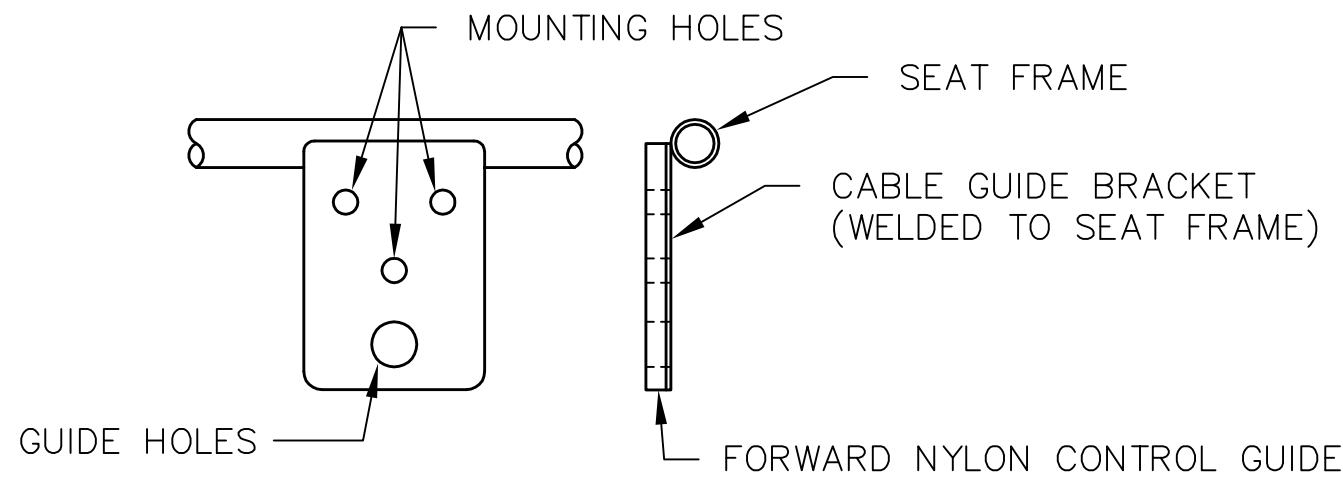


FRONT VIEW
MAIN CONTROL GUIDE
MOUNTING DETAILS

NOTES:

- TRIM MAIN CONTROL GUIDE TO 1 3/4 INCH.
- DRILL (6) PLACES THRU WELDMENT AND MAIN CONTROL GUIDE WITH #30 DRILL (.1285 DIA).
- RIVET WITH SD43BS (1/8 DIA X 21/64 LONG) RIVETS.

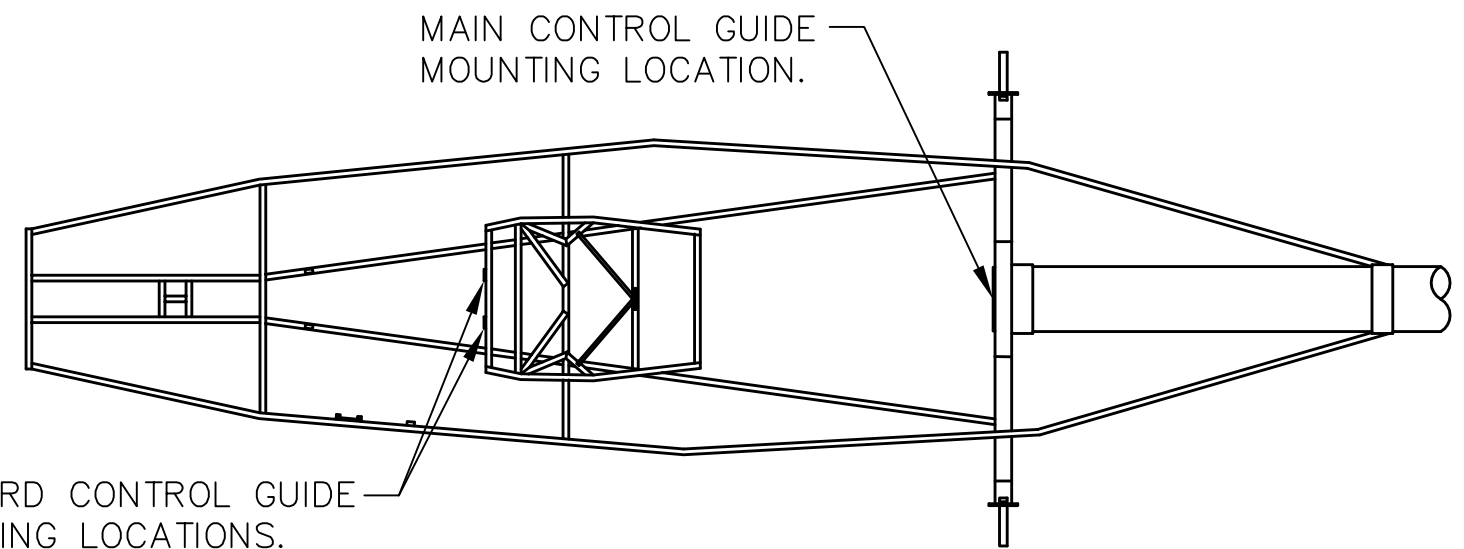
MAIN GEAR TUBE WELDMENT
(WELDED TO FUSELAGE FRAME)



NOTES:

- DRILL (3) #30 DRILL (.1285 DIA) MOUNTING HOLES LOCATED AS SHOWN.
- RIVET WITH SD43BS RIVETS. (1/8 DIA X 21/64 LONG)
- DRILL 3/16 DIA GUIDE HOLE. CENTER ON EXISTING HOLE SO THAT CABLE WILL NOT RIDE ON STEEL CABLE GUIDE BRACKET.

FORWARD CONTROL GUIDE
MOUNTING DETAILS



FORWARD CONTROL GUIDE
MOUNTING LOCATIONS.

TITAN AIRCRAFT SUPPLY
1419 STATE ROUTE 45 SOUTH
AUSTINBURG, OHIO 44010

DETAIL NAME		CABLE GUIDE INSTALLATION	
SCALE	N/A	PART NO.	
ASSEMBLY NAME		TWO PLACE TORNADO	
PART NO.		DRAWING NO.	
DRAWING NO.		B 92-INS-0239-A	

DRAWN	J. PRESTON	DATE	1/20/93
CHECKED		DATE	
APPROVED		DATE	

THIS DOCUMENT PROPRIETARY TO TITAN AIRCRAFT. AND IS NOT TO BE USED, CIRCULATED, REPRODUCED, COPIED, OR DISCLOSED IN ANY MANNER WITHOUT PRIOR WRITTEN PERMISSION OF AN AUTHORIZED OFFICIAL OF TITAN AIRCRAFT.