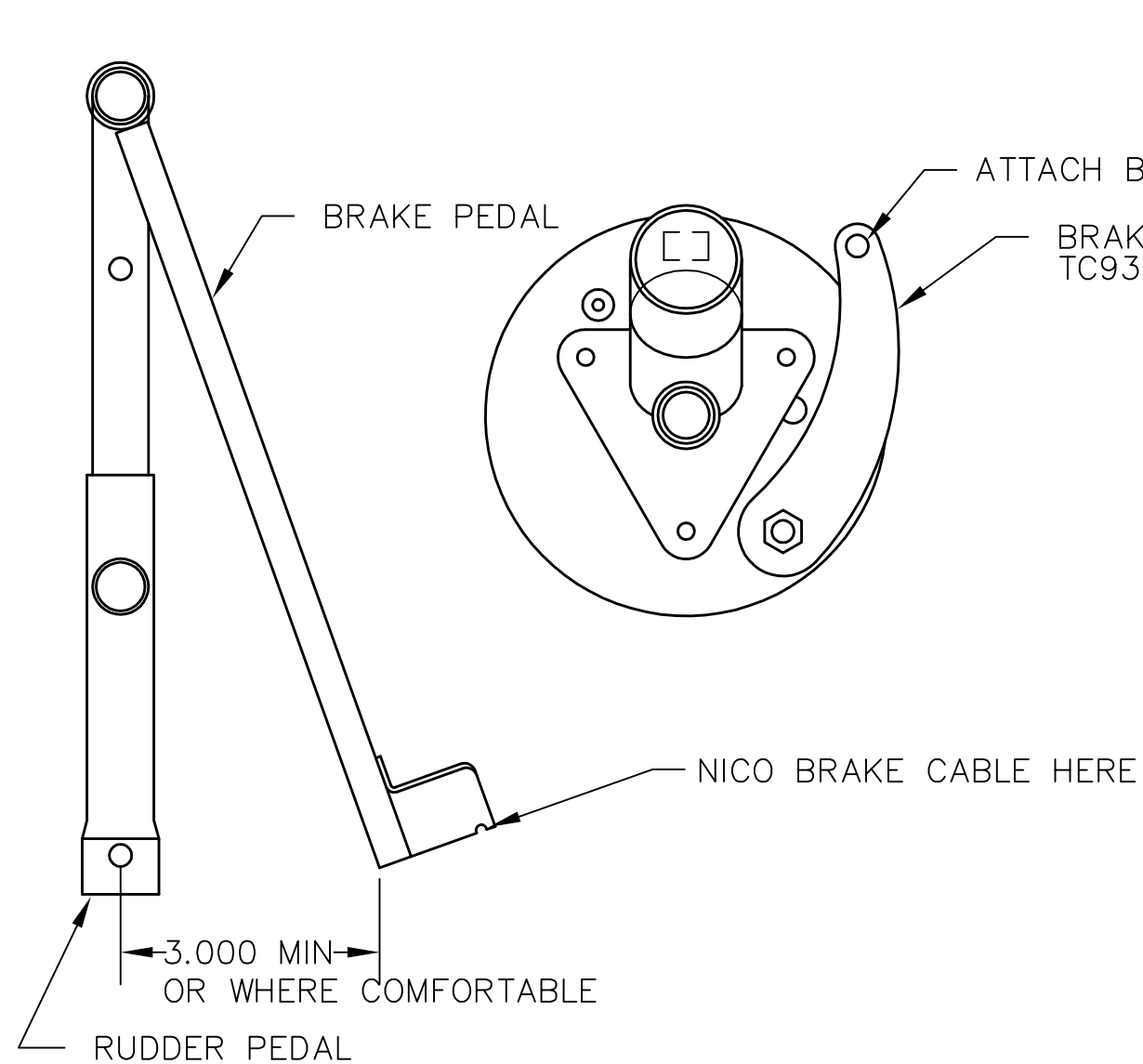


THIS DOCUMENT PROPRIETARY TO TITAN AIRCRAFT, AND IS NOT TO BE USED, CIRCULATED, REPRODUCED, COPIED, OR DISCLOSED IN ANY MANNER WITHOUT PRIOR WRITTEN PERMISSION OF AN AUTHORIZED OFFICIAL OF TITAN AIRCRAFT.

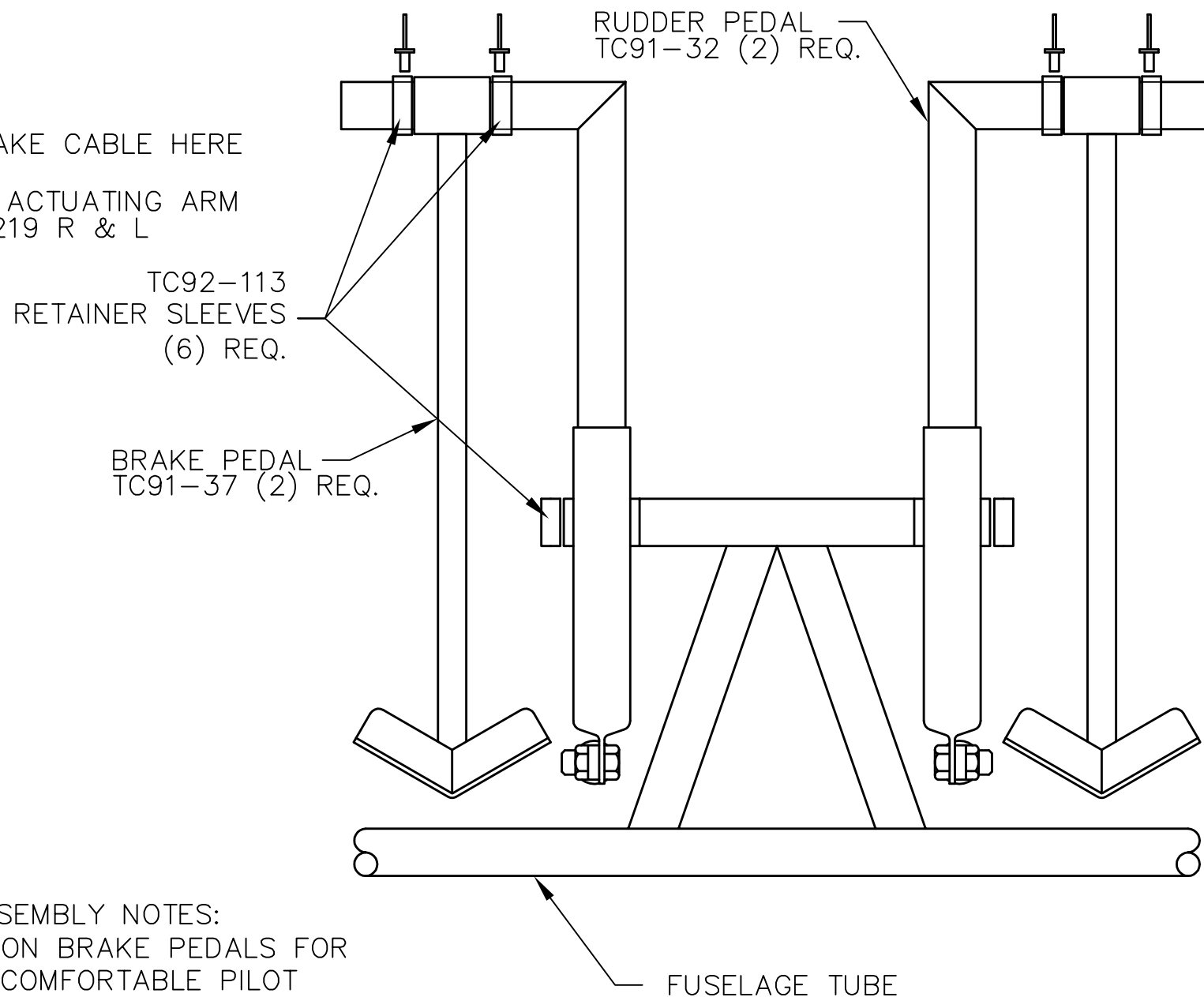


**BRAKE CABLE NOTES:**

- INSERT BRAKE CABLES INTO CABLE SLEEVES. SEE DRAWING B92-INS-0190 FOR INSTALLATION AND ROUTING.
- NICO PRESS BRAKE CABLE TO BRAKE PEDAL.
- PULL BRAKE CABLE THROUGH SLEEVES UNTIL BRAKE PEDAL IS POSITIONED AS SHOWN.
- ATTACH BRAKE CABLE TO BRAKE ACTUATING ARM WITH A CABLE SWIVEL. KEEP BRAKE PEDAL POSITIONED PROPERLY.
- BOTH BRAKE PEDALS SHOULD BE ALIGNED TOGETHER.

**PEDAL ASSEMBLY NOTES:**

- POSITION BRAKE PEDALS FOR MOST COMFORTABLE PILOT OPERATION AND CLEARANCE OF RUDDER PEDALS.
- TO HOLD BRAKE PEDALS IN POSITION, SANDWICH THEM BETWEEN (2) SD42BS RIVETS, AS SHOWN (.125 DIA X .265 LONG)
- DRILL RIVET HOLES WITH #30 DRILL (.1285 DIA).



<b>TITAN AIRCRAFT</b>		<b>TITAN AIRCRAFT SUPPLY</b>	
		1419 STATE ROUTE 45 SOUTH AUSTINBURG, OHIO 4400	
DETAIL NAME		BRAKE PEDAL ASSEMBLY	
SCALE	N/A	PART NO.	N/A
ASSEMBLY NAME		SINGLE SEAT FUSELAGE ASSEMBLY	
PART NO.	N/A	DRAWING NO.	
DRAWING NO.		<b>B 92-INS-0189-C</b>	

DRAWN J. PRESTON	DATE 8/14/92
CHECKED R. INGLE	DATE 5/2/01
APPROVED J. WILLIAMS	DATE 5/2/01