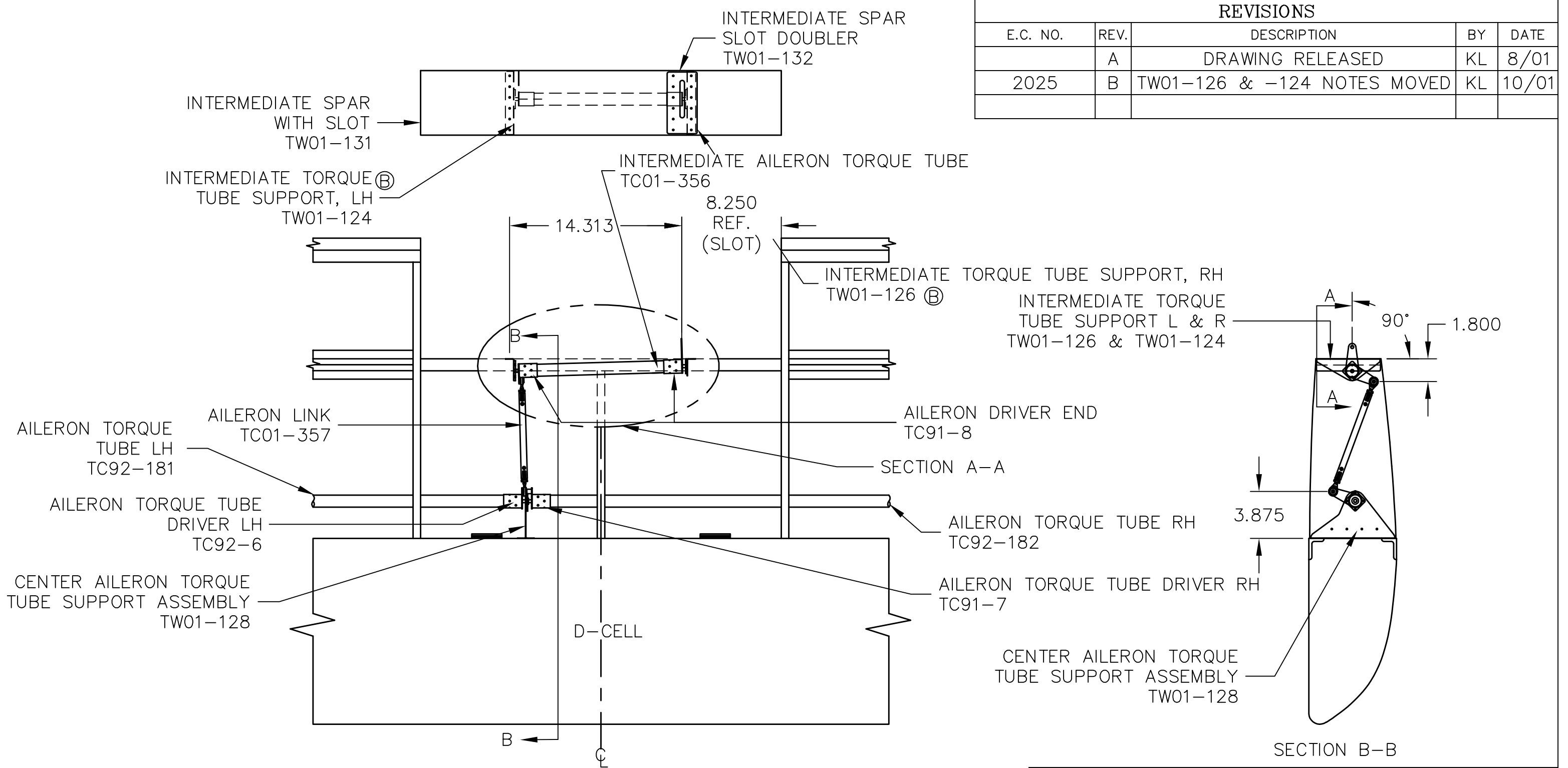


REVISIONS

E.C. NO.	REV.	DESCRIPTION	BY	DATE
	A	DRAWING RELEASED	KL	8/01
2025	B	TW01-126 & -124 NOTES MOVED	KL	10/01



VIEW FROM BOTTOM OF WING

TITAN AIRCRAFT SUPPLY
 1419 STATE ROUTE 45 SOUTH
 AUSTINBURG, OHIO 44010

DETAIL NAME		INTERMEDIATE SHAFT AND LINKAGE	
SCALE	N/A	PART NO.	
ASSEMBLY NAME		TORNADO S & SS	
PART NO.		DRAWING NO.	
DRAWING NO.		B 01-INS-1282-B	

DRAWN	K. LIPLIN	DATE	8/13/01
CHECKED	R. PASSAFIUME	DATE	10/24/01
APPROVED	G. TRUEX	DATE	10/24/01

THIS DOCUMENT PROPRIETARY TO TITAN AIRCRAFT, AND IS NOT TO BE USED, CIRCULATED, REPRODUCED, COPIED, OR DISCLOSED IN ANY MANNER WITHOUT PRIOR WRITTEN PERMISSION OF AN AUTHORIZED OFFICIAL OF TITAN AIRCRAFT.