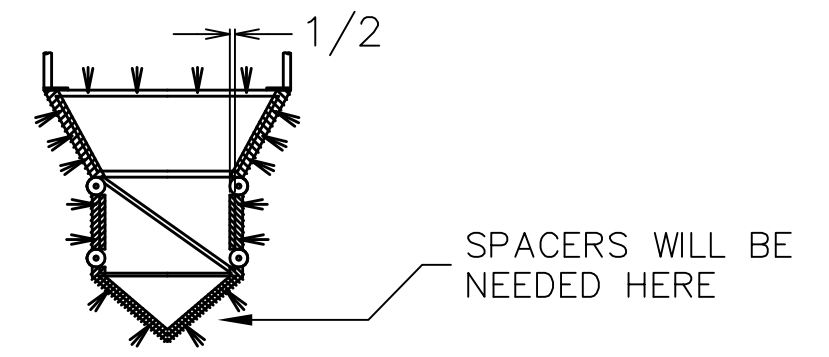
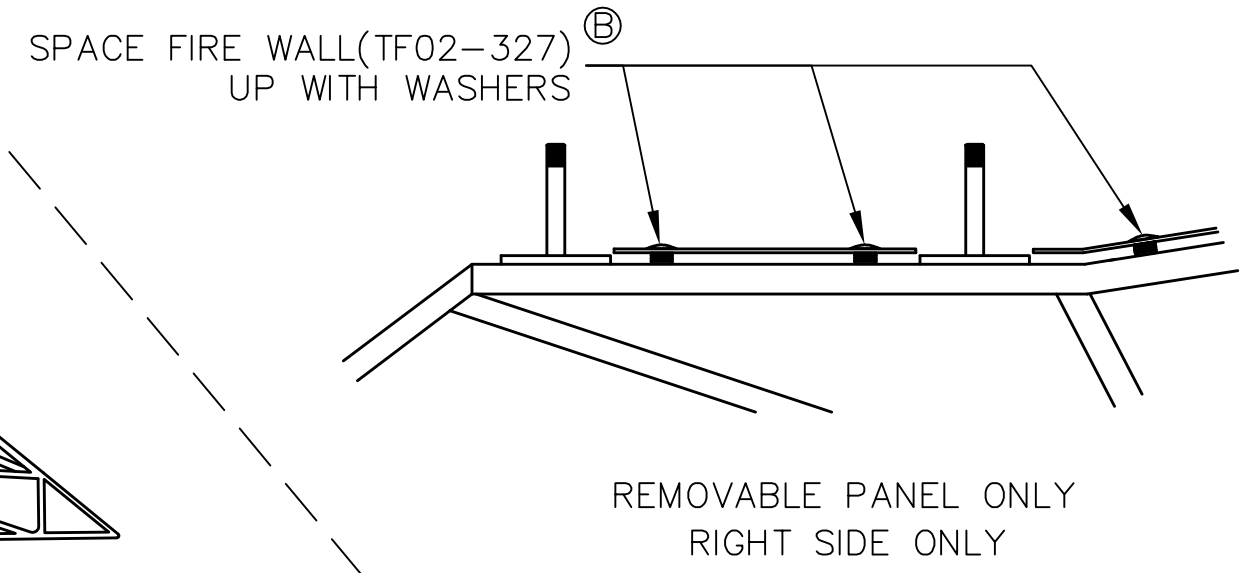
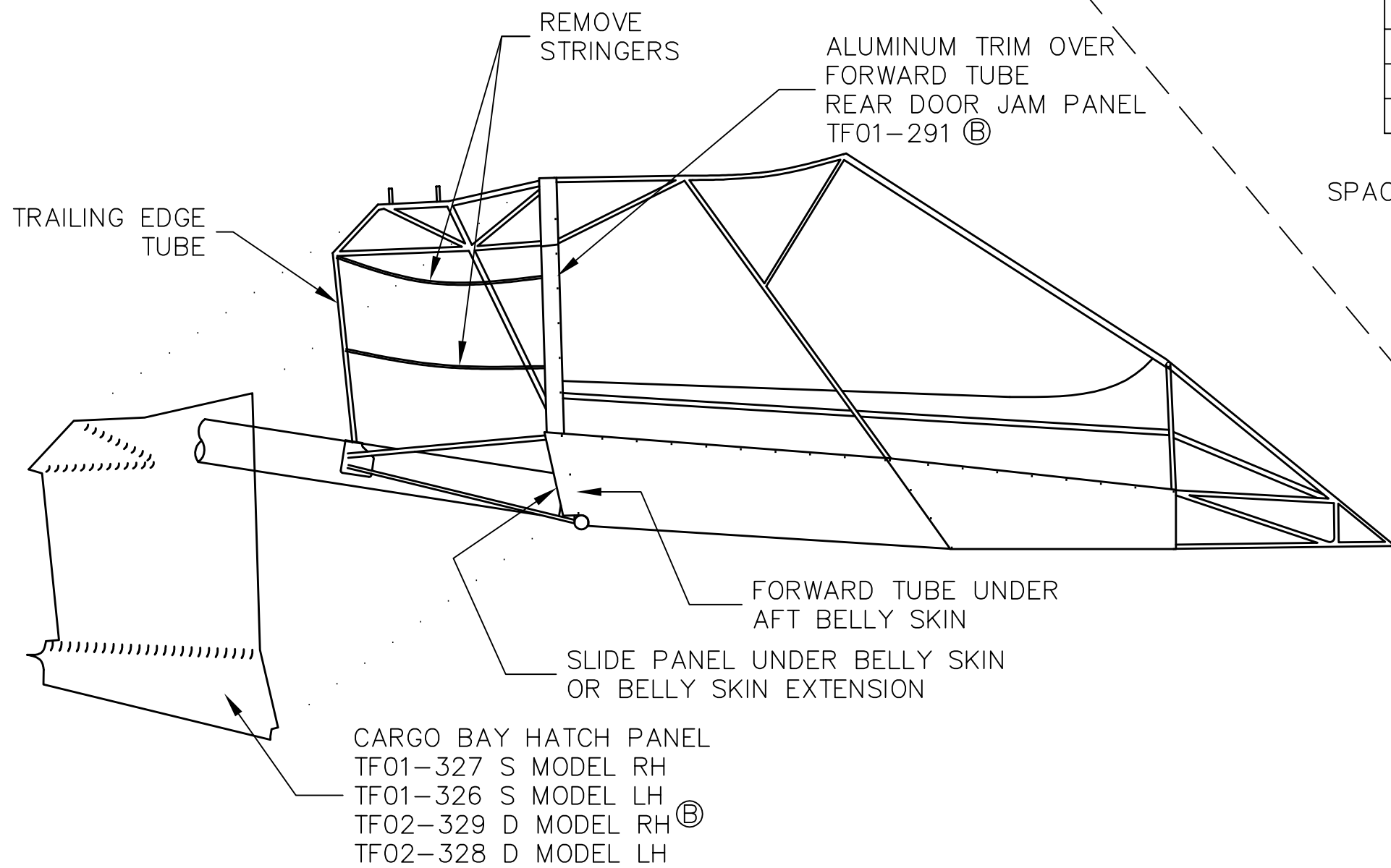
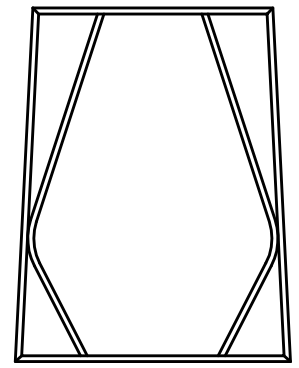
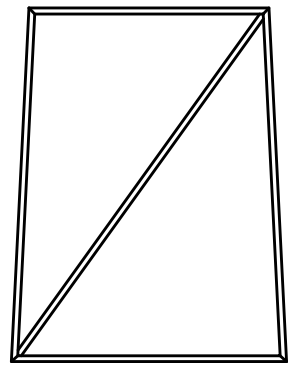


REVISIONS				
E.C. NO.	REV.	DESCRIPTION	BY	DATE
	A	DRAWING RELEASED	KL	6/01
2061	B	ADDED PART NUMBERS	KL	3/02



ARROWS SHOW RIVET LOCATIONS
 KEEP RIVET HOLES AT LEAST
 1/2 INCH FROM WELDS

ENGINE MOUNT AREA
 AND FIRE WALL(TF02-327)(B)



EARLY MODEL, CROSS-BRACED LATE MODEL, SIDE BRACES
 LOOKING AFT FROM REAR SEAT

TITAN AIRCRAFT SUPPLY
 1419 STATE ROUTE 45 SOUTH
 AUSTINBURG, OHIO 44010

DETAIL NAME		KEVLAR PANEL INSTALLATION	
SCALE	N/A	PART NO.	
ASSEMBLY NAME ALL TORNADOS WITH KEVLAR PANELS			
PART NO.		DRAWING NO.	
DRAWING NO.		B 01-INS-1254-B	

DRAWN	K. LIPLIN	DATE	6/13/01
CHECKED		DATE	
APPROVED		DATE	

THIS DOCUMENT PROPRIETARY TO TITAN AIRCRAFT, AND IS NOT TO BE USED, CIRCULATED, REPRODUCED, COPIED, OR DISCLOSED IN ANY MANNER WITHOUT PRIOR WRITTEN PERMISSION OF AN AUTHORIZED OFFICIAL OF TITAN AIRCRAFT.