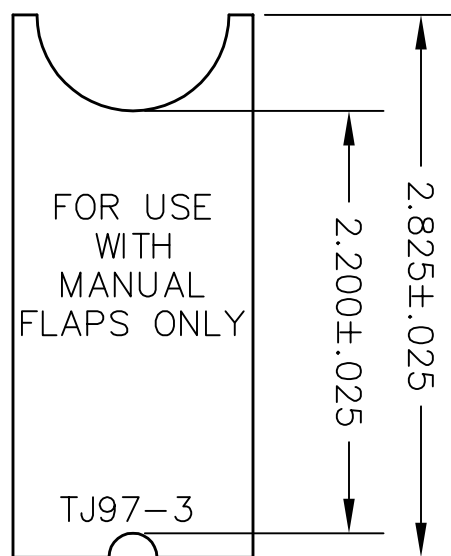
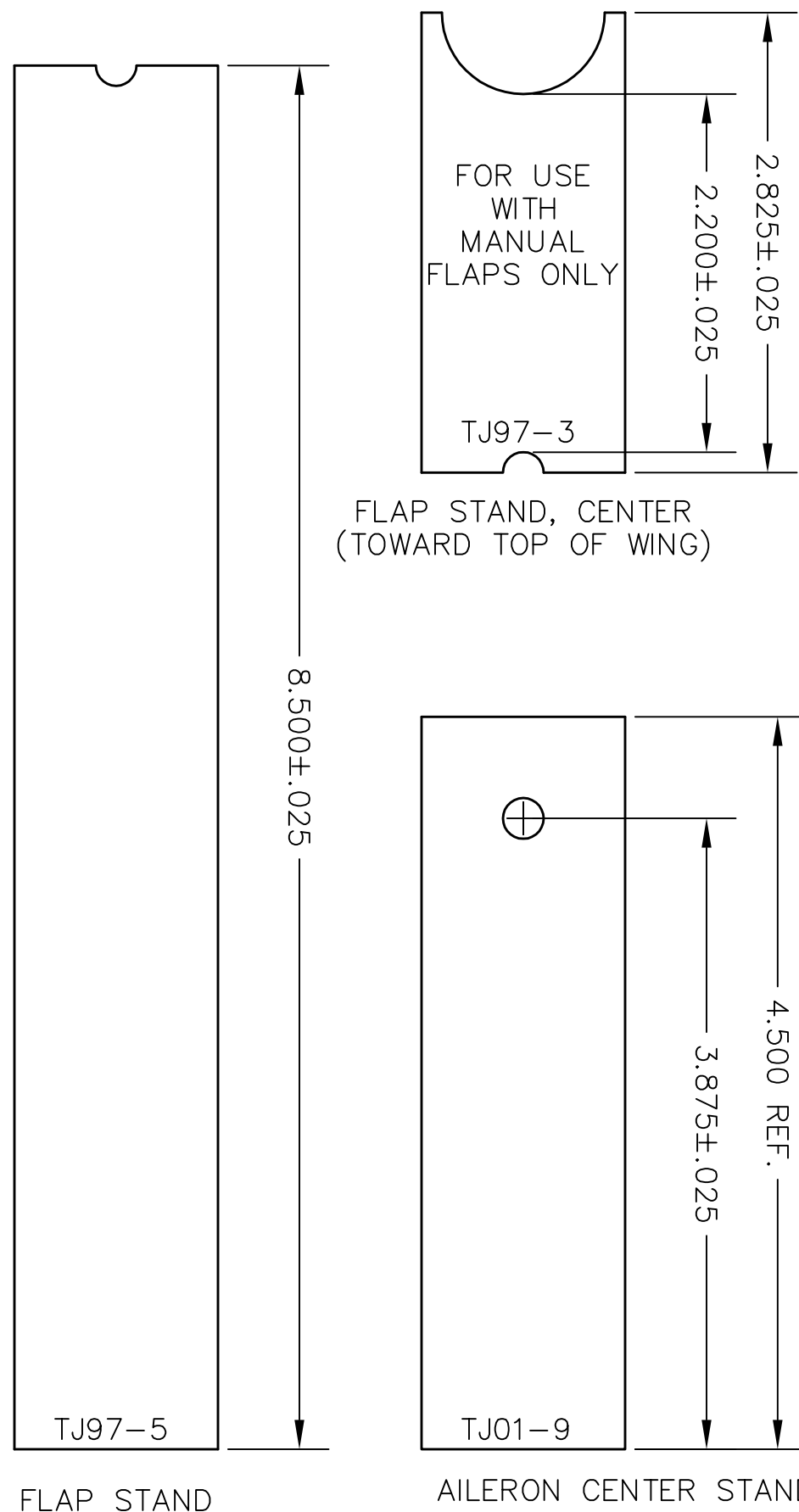
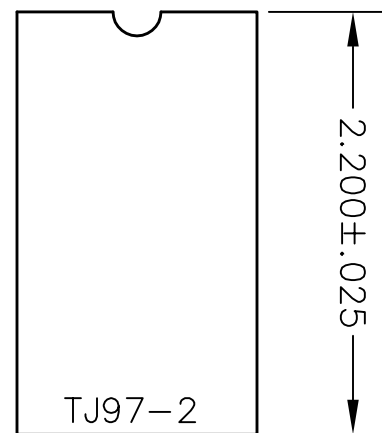


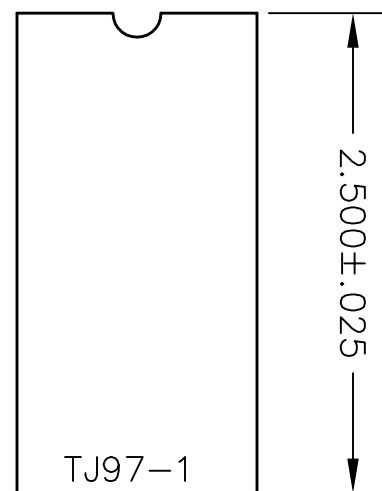
AILERON AND FLAP STAND JIGS



FLAP STAND, CENTER
(TOWARD TOP OF WING)



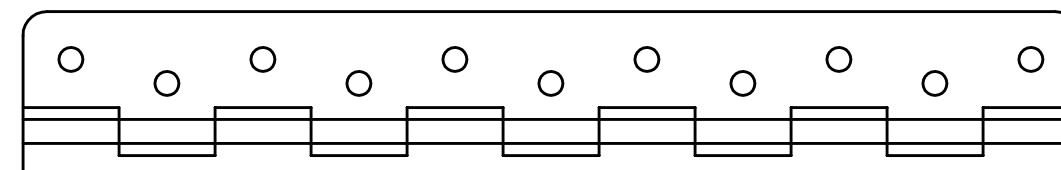
LEFT SIDE
AILERON STAND



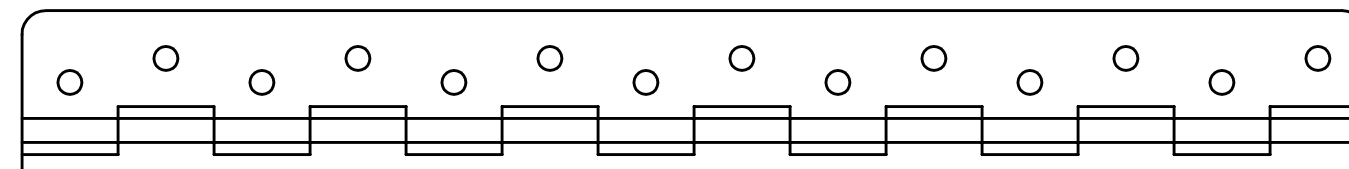
RIGHT SIDE
AILERON STAND

REVISIONS				
E.C. NO.	REV.	DESCRIPTION	BY	DATE
	A	DRAWING RELEASED	KL	6/01
2179	B	CHANGED NAME	CE	12/05

FLAP/AILERON HINGE TEMPLATES



5 1/2" HINGE TEMPLATE



7" HINGE TEMPLATE

SMALL HOLES: 1/8" RADIUS
LARGE HOLE: 1/2" RADIUS



TITAN AIRCRAFT SUPPLY
1419 STATE ROUTE 45 SOUTH
AUSTINBURG, OHIO 44010

MATERIAL RECOMMENDED MATERIAL .040" ALUMINUM		DETAIL NAME AS NOTED	
DRAWN K. LIPLIN	DATE 6/12/01	SCALE FULL	PART NO.
CHECKED G. TRUEX	DATE 12/21/05	ASSEMBLY NAME TEMPLATES (TORNADO S & SS) ^B	
APPROVED J. WILLIAMS	DATE 12/21/05	PART NO. AS NOTED	DRAWING NO.
		DRAWING NO. B 01-INS-1247-B	

THIS DOCUMENT PROPRIETARY TO TITAN AIRCRAFT. AND IS NOT TO BE USED, CIRCULATED, REPRODUCED, COPIED, OR DISCLOSED IN ANY MANNER WITHOUT PRIOR WRITTEN PERMISSION OF AN AUTHORIZED OFFICIAL OF TITAN AIRCRAFT.