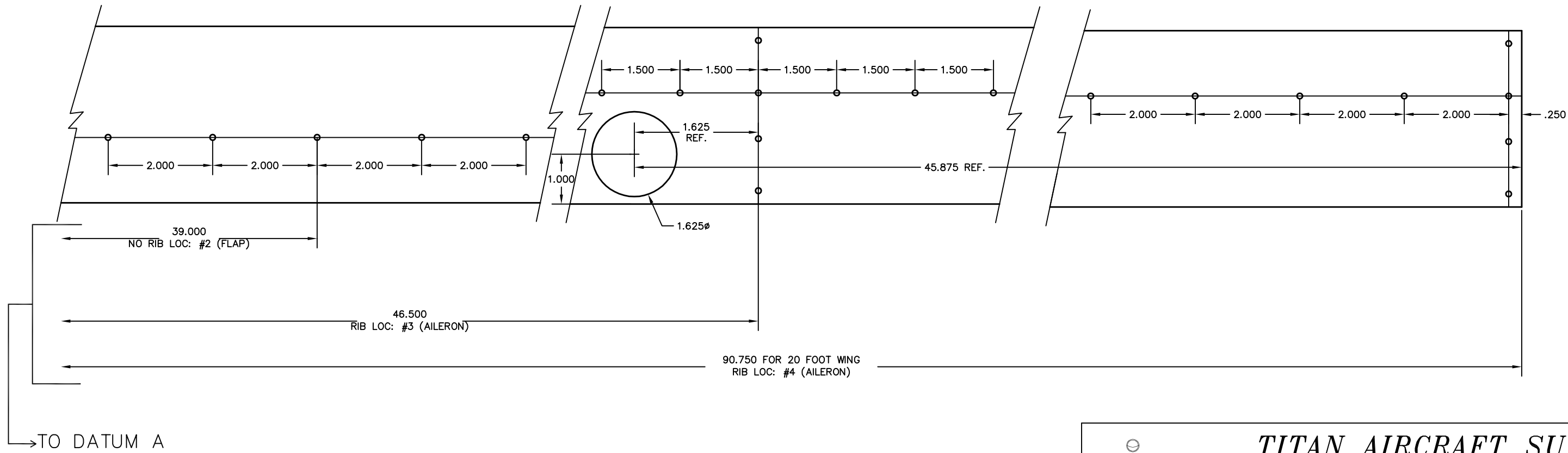
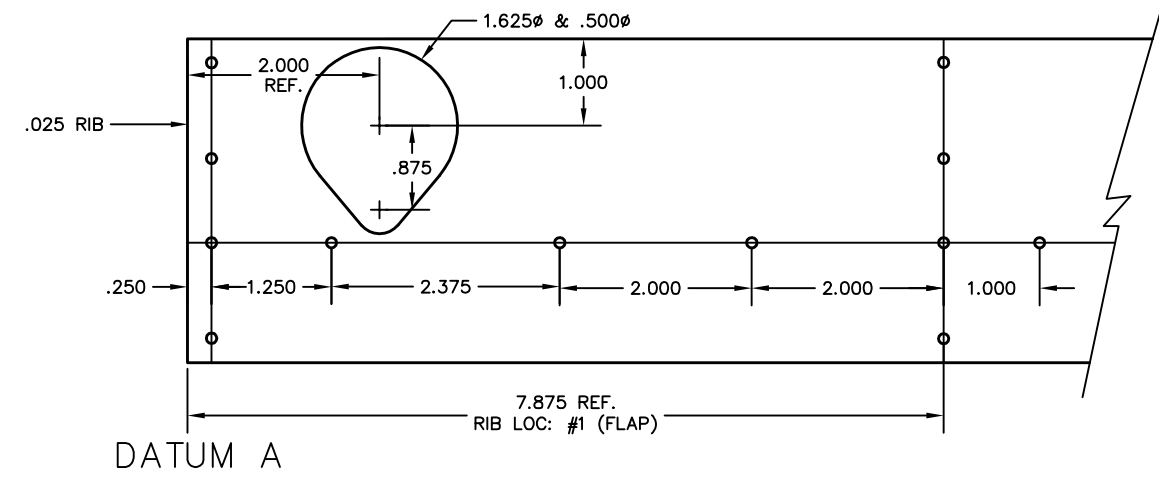


REVISIONS

E.C. NO.	REV.	DESCRIPTION	BY	DATE
	A	DRAWING RELEASED	KL	3/01



NOTE:
 - RIGHT AFT SPAR SHOWN REPEAT FOR LEFT AFT SPAR.
 - FLAP DOUBLERS ARE ON THE BOTTOM SIDE. AILERON DOUBLERS THE TOP SIDE.
 - #1 TO #4 REFER TO THE NUMBER OF HINGE DOUBLERS.

TITAN AIRCRAFT SUPPLY
 1419 STATE ROUTE 45 SOUTH
 AUSTINBURG, OHIO 44010

DETAIL NAME		AFT. SPAR HINGE DOUBLER LAYOUT	
SCALE	SCALE	PART NO.	
ASSEMBLY NAME 20 FOOT WING STANDARD & VNE ASS'Y			
PART NO.		DRAWING NO.	
DRAWING NO.		B 01-INS-1165-A	

DRAWN K. LIPLIN	DATE 1/29/01
CHECKED R. INGLE	DATE 3/16/01
APPROVED J. WILLIAMS	DATE 3/16/01

THIS DOCUMENT PROPRIETARY TO TITAN AIRCRAFT. AND IS NOT TO BE USED, CIRCULATED, REPRODUCED, COPIED, OR DISCLOSED IN ANY MANNER WITHOUT PRIOR WRITTEN PERMISSION OF AN AUTHORIZED OFFICIAL OF TITAN AIRCRAFT.