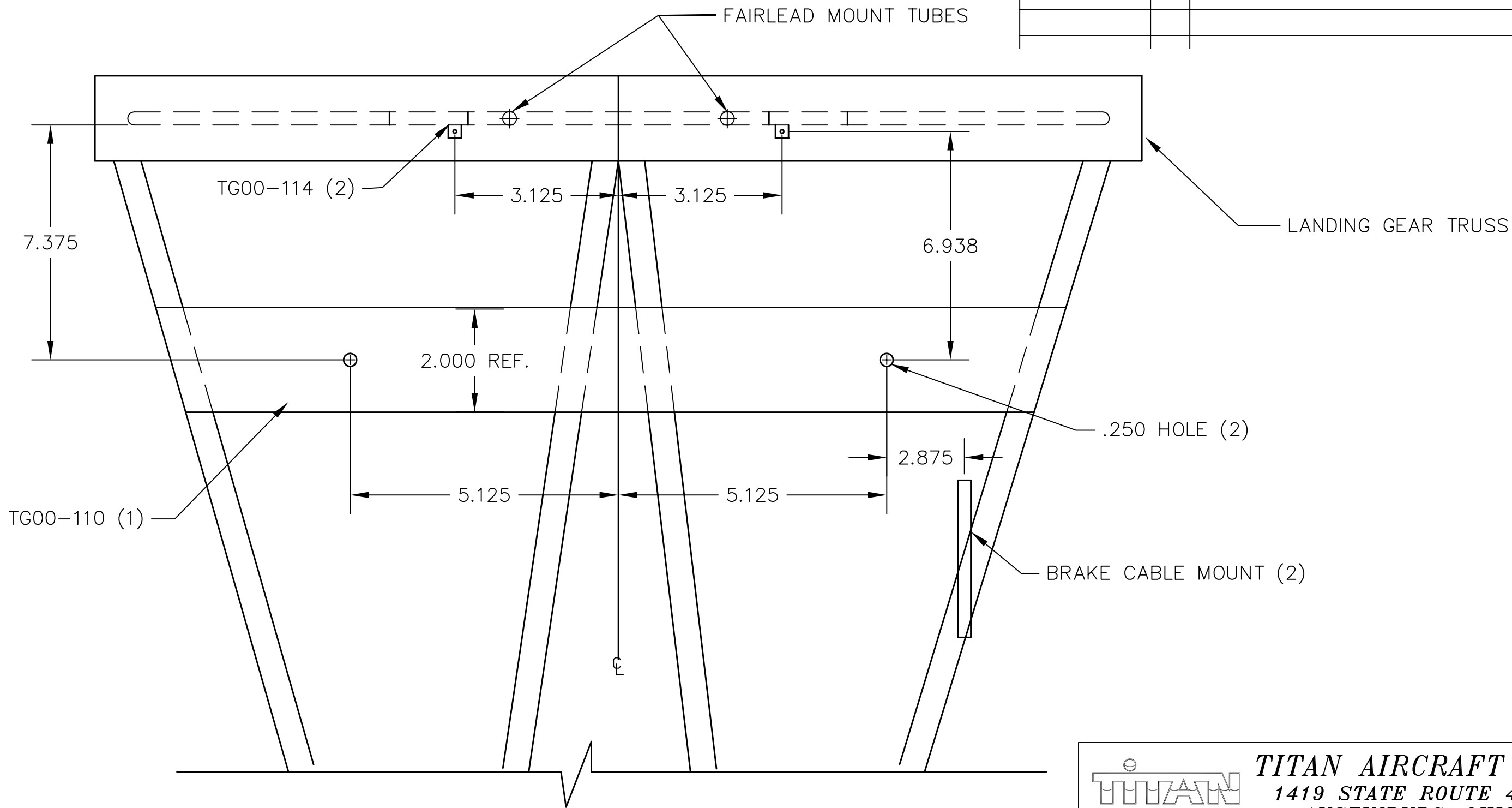


REVISIONS				
E.C. NO.	REV.	DESCRIPTION	BY	DATE
	A	DRAWING RELEASED	KL	2/01



TOP VIEW

TITAN AIRCRAFT SUPPLY
 1419 STATE ROUTE 45 SOUTH
 AUSTINBURG, OHIO 44010

DETAIL NAME	
SCALE HALF	PART NO.
ASSEMBLY NAME MATCO BRAKE INSTALLATION	
PART NO.	DRAWING NO.
DRAWING NO. B 01-INS-1156-A	

DRAWN K. LIPLIN	DATE 2/2/01
CHECKED R. INGLE	DATE 2/7/01
APPROVED J. WILLIAMS	DATE 2/21/01

THIS DOCUMENT PROPRIETARY TO TITAN AIRCRAFT, AND IS NOT TO BE USED, CIRCULATED, REPRODUCED, COPIED, OR DISCLOSED IN ANY MANNER WITHOUT PRIOR WRITTEN PERMISSION OF AN AUTHORIZED OFFICIAL OF TITAN AIRCRAFT.