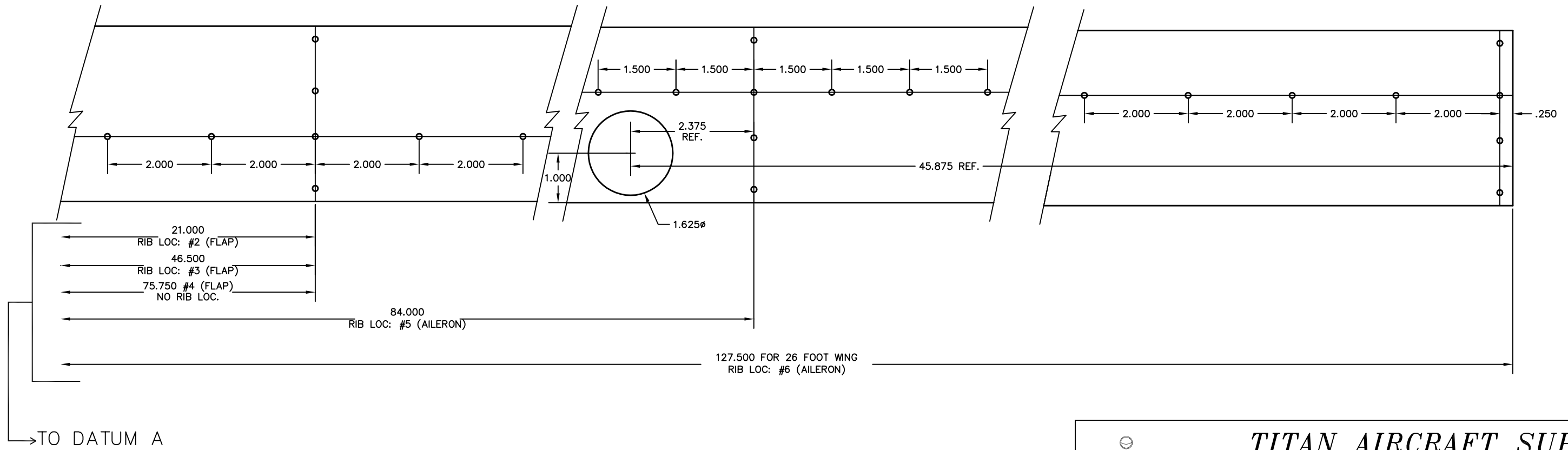
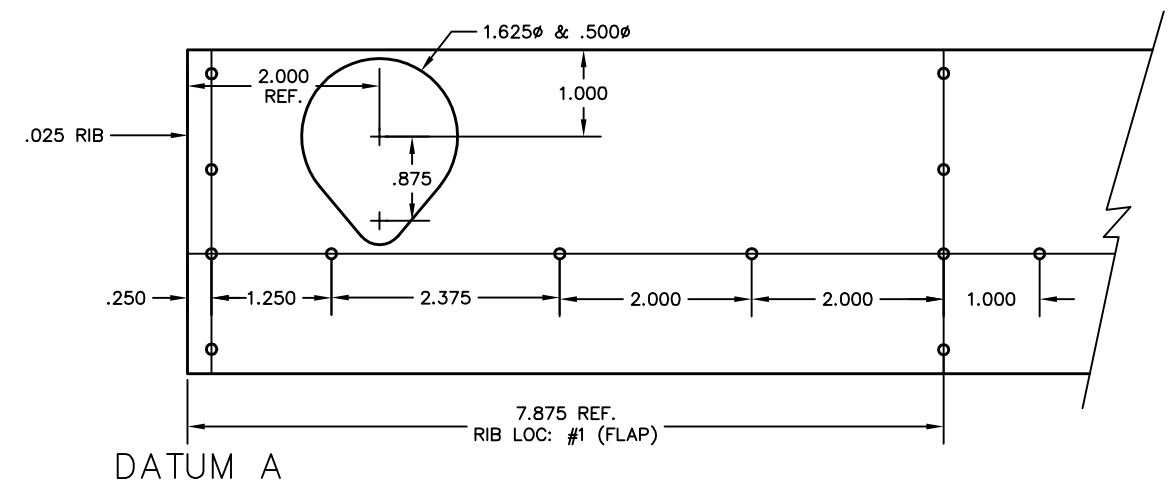


REVISIONS

E.C. NO.	REV.	DESCRIPTION	BY	DATE
	A	DRAWING RELEASED	KL	1/01
1889	B	ADDED 1.000 DIMENSION	KL	3/01



NOTE:  
 - RIGHT AFT SPAR SHOWN  
 REPEAT FOR LEFT AFT SPAR.  
 - FLAP DOUBLERS ARE ON THE  
 BOTTOM SIDE. AILERON DOUBLERS  
 THE TOP SIDE.  
 - #1 TO #6 REFER TO THE  
 NUMBER OF HINGE DOUBLERS.

**TITAN AIRCRAFT SUPPLY**  
 1419 STATE ROUTE 45 SOUTH  
 AUSTINBURG, OHIO 44010

DETAIL NAME		AFT. SPAR HINGE DOUBLER LAYOUT	
SCALE	SCALE	PART NO.	
ASSEMBLY NAME		26 FOOT WING ASSEMBLY	
PART NO.		DRAWING NO.	
DRAWING NO.		B 01-INS-1153-B	

DRAWN	DATE
K. LIPLIN	1-29-01
CHECKED	DATE
APPROVED	DATE

THIS DOCUMENT PROPRIETARY TO TITAN AIRCRAFT, AND IS NOT TO BE USED, CIRCULATED, REPRODUCED, COPIED, OR DISCLOSED IN ANY MANNER WITHOUT PRIOR WRITTEN PERMISSION OF AN AUTHORIZED OFFICIAL OF TITAN AIRCRAFT.