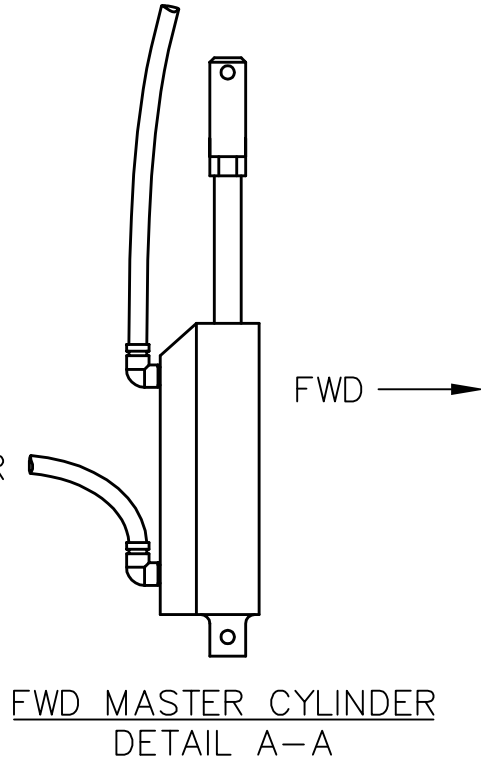
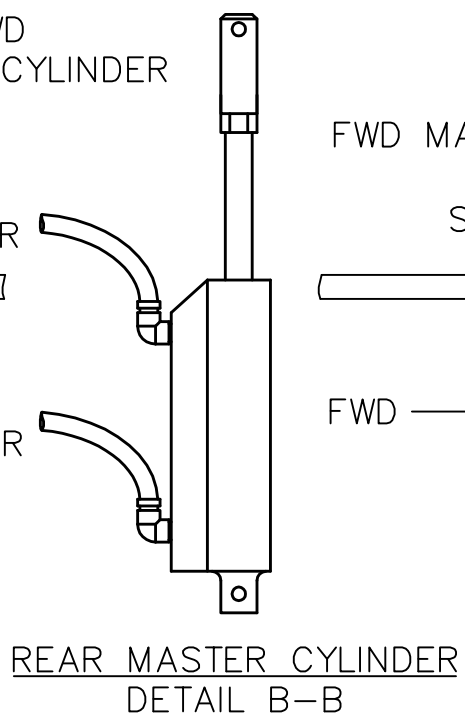
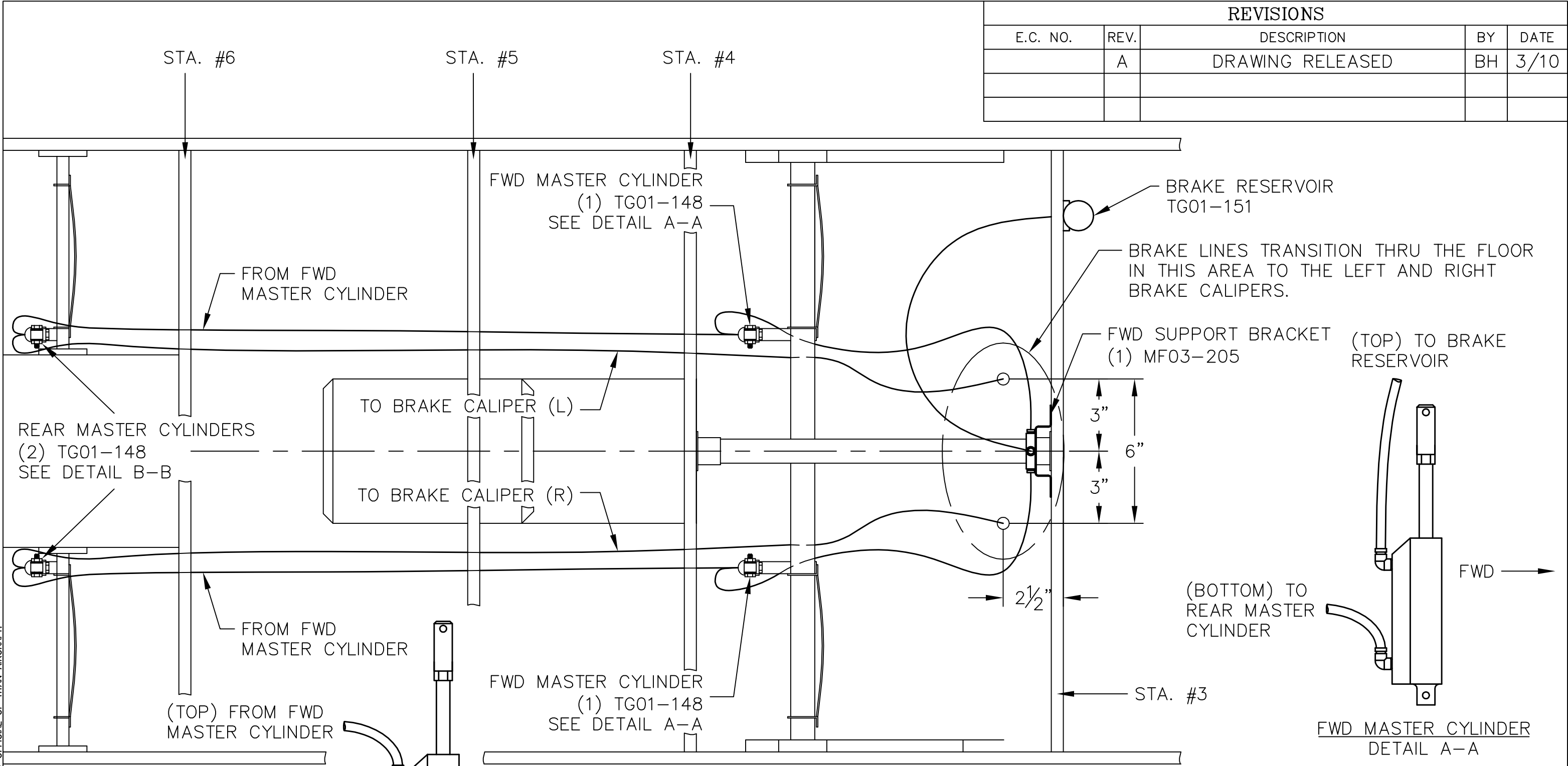


REVISIONS				
E.C. NO.	REV.	DESCRIPTION	BY	DATE
	A	DRAWING RELEASED	BH	3/10



THIS DOCUMENT PROPRIETARY TO TITAN AIRCRAFT, AND IS NOT TO BE USED, CIRCULATED, REPRODUCED, COPIED, OR DISCLOSED IN ANY MANNER WITHOUT PRIOR WRITTEN PERMISSION OF AN AUTHORIZED OFFICIAL OF TITAN AIRCRAFT.

TITAN AIRCRAFT SUPPLY
1419 STATE ROUTE 45 SOUTH
AUSTINBURG, OHIO 44010

DETAIL NAME HYDRAULIC BRAKE LINE ROUTING (COCKPIT)	
SCALE	PART NO.
ASSEMBLY NAME FOR FRONT AND REAR PEDALS	
PART NO.	DRAWING NO. 08
DRAWING NO. B T51-10-INS-1878-A	

DRAWN B. HARE	DATE 3/25/10
CHECKED R. INGLE	DATE 4/6/10
APPROVED K. BROOKS	DATE 4/6/10

FWD → TOP VIEW