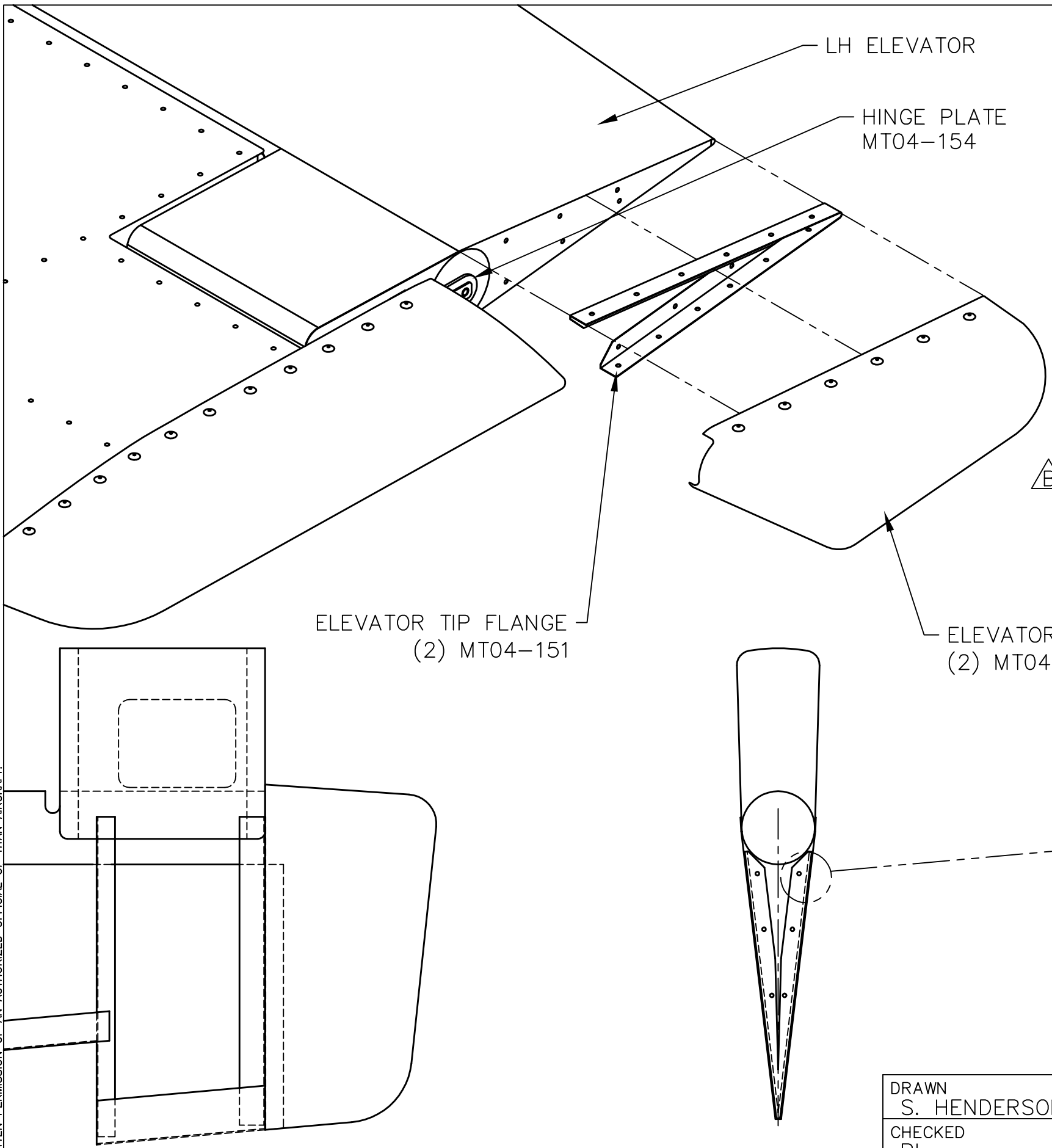


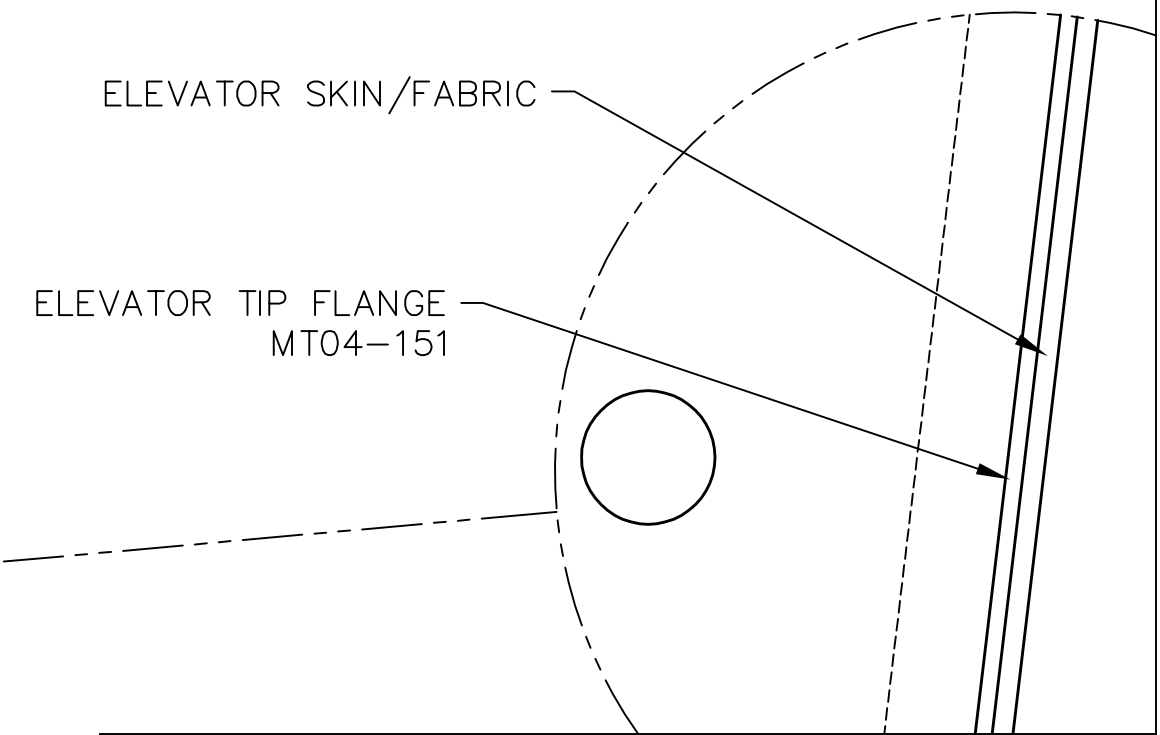
THIS DOCUMENT PROPRIETARY TO TITAN AIRCRAFT, AND IS NOT TO BE USED, CIRCULATED, REPRODUCED, COPIED, OR DISCLOSED IN ANY MANNER WITHOUT PRIOR WRITTEN PERMISSION OF AN AUTHORIZED OFFICIAL OF TITAN AIRCRAFT.



REVISIONS				
E.C. NO.	REV.	DESCRIPTION	BY	DATE
	A	DRAWING RELEASED	SH	10/08
0789	B	RIVET QUANTITY ADDED	SH	10/08

**NOTES:**

- BE SURE TO HAVE THE HORIZONTAL TIPS PRE-INSTALLED BEFORE ATTEMPTING TO INSTALL THE ELEVATOR TIPS AND TIP FLANGES.
- ELEVATOR TIPS WILL NEED TO BE TRIMMED FOR DESIRED FIT; WITH THE HORIZONTAL TIPS IN PLACE DETERMINE HOW MUCH MATERIAL WILL NEED TO BE REMOVED TO ACHIEVE BEST FIT.
- THE FWD SIDE OF THE ELEVATOR TIPS WILL NEED TRIM TO CLEAR THE ELEVATOR HINGE PLATES (MT04-154).
- ELEVATOR TIP FLANGES SHOULD BE POSITIONED SO THE ELEVATOR TIPS WILL BE FLUSH WITH THE ELEVATOR SKIN/FABRIC SURFACES.
- BOND AND RIVETS TIP FLANGES IN PLACE WITH AD42ABS RIVETS.
- ATTACH THE ELEVATOR TIPS USING AD42ABSLF RIVETS (12) REQUIRED PER SIDE.



**TITAN AIRCRAFT SUPPLY**  
 1419 STATE ROUTE 45 SOUTH  
 AUSTINBURG, OHIO 44010

DRAWN S. HENDERSON		DATE 10/2/08	DETAIL NAME ELEVATOR TIP INSTALLATION	
CHECKED RI		DATE 10/27/08	SCALE 1/4"=1"	PART NO.
APPROVED KORY B.		DATE 11/21/08	ASSEMBLY NAME	
			PART NO.	DRAWING NO. T9
			DRAWING NO. <b>B T51-08-INS-1766-B</b>	