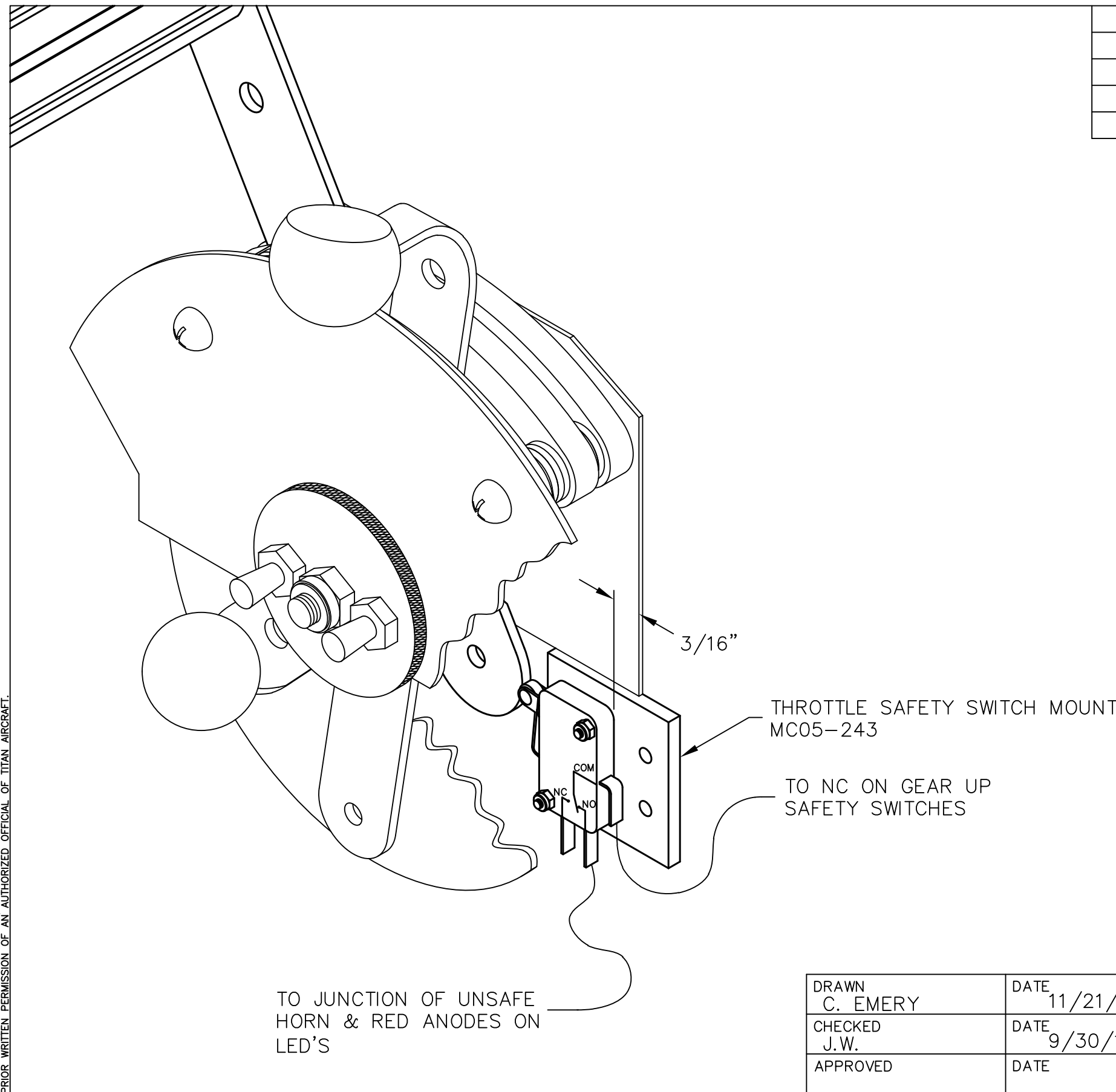


REVISIONS

E.C. NO.	REV.	DESCRIPTION	BY	DATE
	A	DRAWING RELEASED	CE	11/05
1196	B	NOTES CHANGED	BH	3/17



THROTTLE SAFETY SWITCH MOUNT
MC05-243

TO NC ON GEAR UP
SAFETY SWITCHES

TO JUNCTION OF UNSAFE
HORN & RED ANODES ON
LED'S

TITAN AIRCRAFT SUPPLY
 1419 STATE ROUTE 45 SOUTH
 AUSTINBURG, OHIO 44010

DETAIL NAME THROTTLE QUADRANT MICRO SWITCH

DRAWN C. EMERY	DATE 11/21/05	SCALE 1"=1"	PART NO.
CHECKED J.W.	DATE 9/30/18	ASSEMBLY NAME	
APPROVED	DATE	PART NO.	DRAWING NO. E3
DRAWING NO. B T51-05-INS-1291-B			

THIS DOCUMENT PROPRIETARY TO TITAN AIRCRAFT, AND IS NOT TO BE USED,
 CIRCULATED, REPRODUCED, COPIED, OR DISCLOSED IN ANY MANNER WITHOUT
 PRIOR WRITTEN PERMISSION OF AN AUTHORIZED OFFICIAL OF TITAN AIRCRAFT.