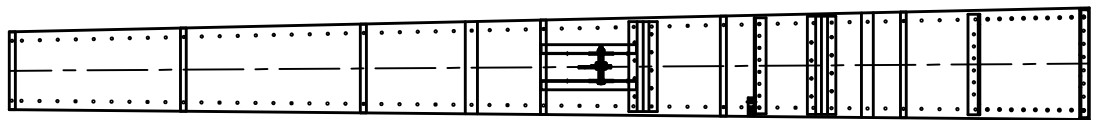
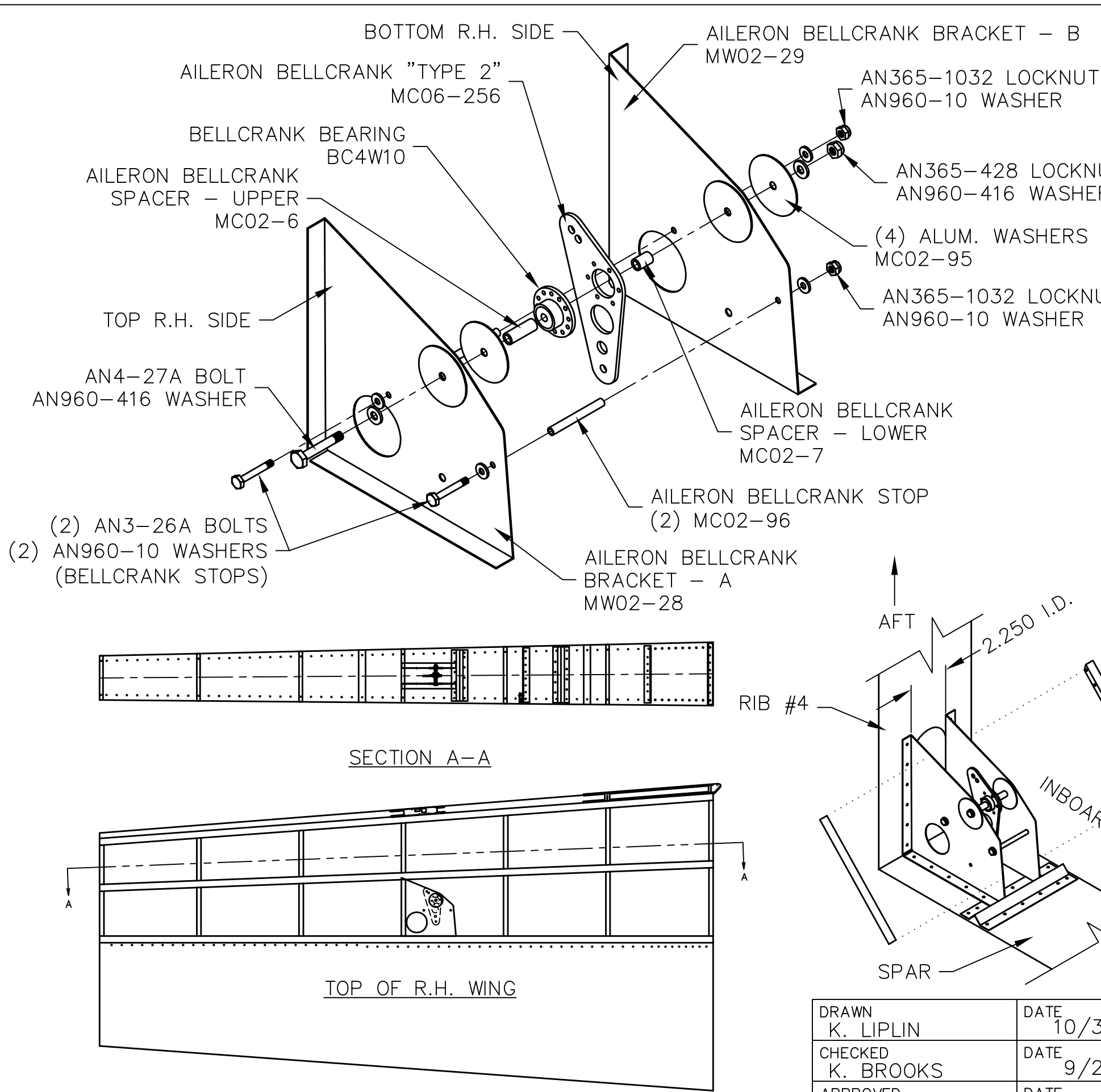
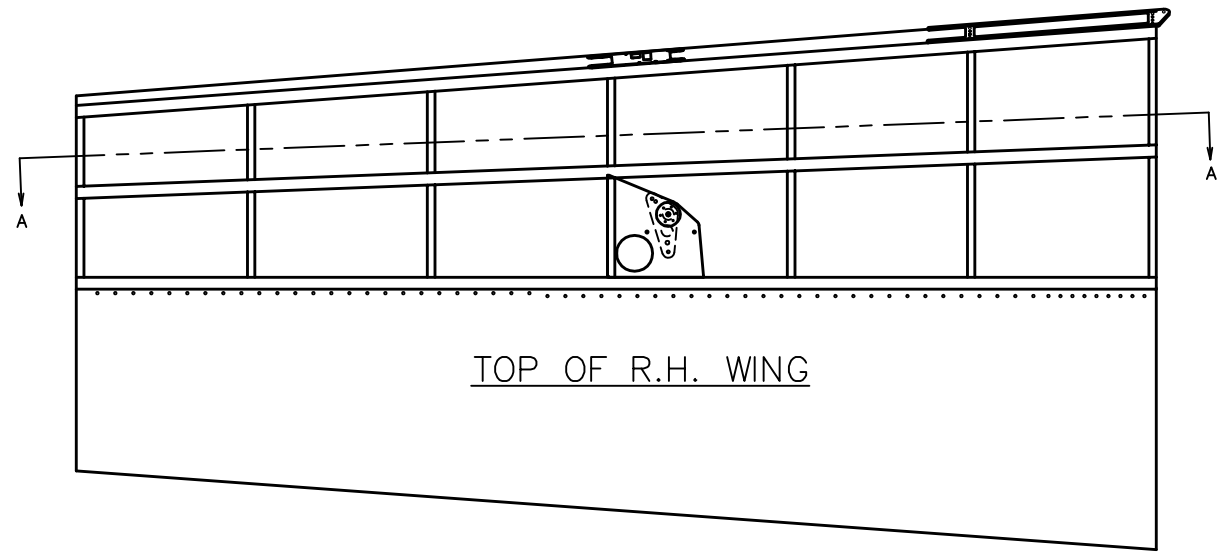


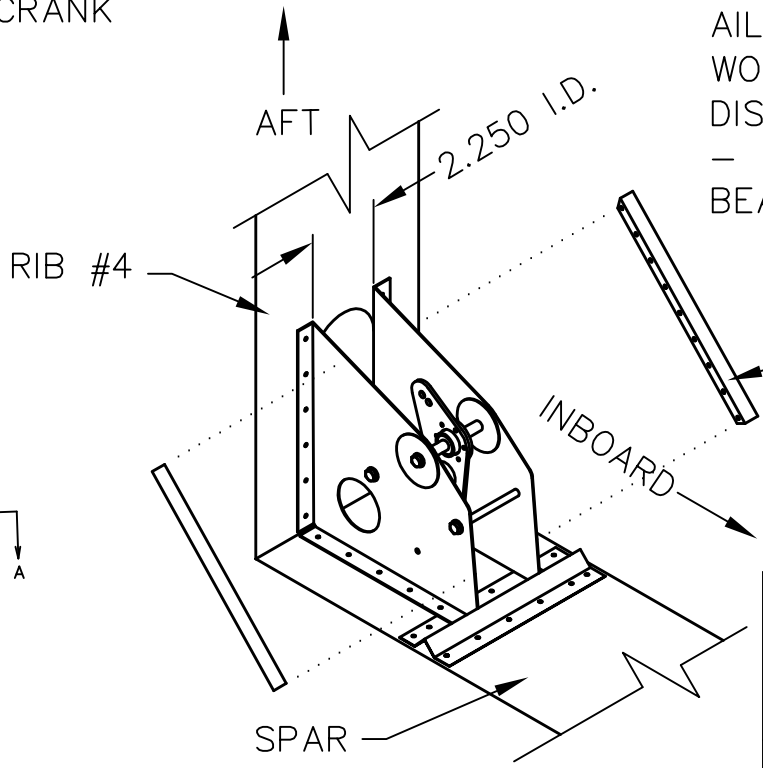
THIS DOCUMENT PROPRIETARY TO TITAN AIRCRAFT, AND IS NOT TO BE USED, CIRCULATED, REPRODUCED, COPIED, OR DISCLOSED IN ANY MANNER WITHOUT PRIOR WRITTEN PERMISSION OF AN AUTHORIZED OFFICIAL OF TITAN AIRCRAFT.



SECTION A-A



TOP OF R.H. WING



AILERON BELLCRANK BRACKET STIFFENER MW02-24 (2) PLACES

RIGHT SIDE SHOWN (LEFT SIDE OPPOSITE)

REVISIONS				
E.C. NO.	REV.	DESCRIPTION	BY	DATE
	A	DRAWING RELEASED	KL	10/02
0306	B	PARTS CHANGED	SH	7/06
1096	C	CORRECTED NOTES	BH	9/10

**NOTES:**  
 - ASSEMBLE BELLCRANK, BELLCRANK BEARING, BELLCRANK BRACKETS, SPACERS AND AILERON STOPS AS SHOWN.  
 - MATCH DRILL THE BELLCRANK BRACKET STIFFENERS (MW02-24) TO THE BELLCRANK BRACKETS (MW02-29 & MW02-28).  
 - USE (18) SD41BS RIVETS TO ATTACH BELLCRANK BRACKET STIFFENERS TO THE BELLCRANK BRACKETS.  
 - SET THE BELLCRANK BRACKET ASSEMBLY ON THE SPAR AND ALIGN IT WITH THE 2 1/4" SLOT IN RIB #4. (IF SO DESIRED, USE A .020" SHIM UNDERNEATH THE ASSEMBLY TO MAKE UP FOR THE GAP).  
 - ATTACH THE BELLCRANK BRACKET ASSEMBLY WITH (6) EQUALLY SPACED SD41BS RIVETS ALONG EACH FLANGE.  
 - DURING ASSEMBLY USE A LITTLE SILICONE ADHESIVE ON THE ALUMINUM WASHERS (MC02-95) TO ATTACH TO AILERON BELLCRANK BRACKETS. (THIS WAY WASHERS WON'T MOVE IF BELLCRANK ASSEMBLY IS EVER DISASSEMBLED.)  
 - USE (6) SD44BS RIVETS WHEN MOUNTING BELLCRANK BEARING.

**TITAN AIRCRAFT SUPPLY**  
 1419 STATE ROUTE 45 SOUTH  
 AUSTINBURG, OHIO 44010

DETAIL NAME AILERON BELLCRANK ASSEMBLY INSTALLATION

DRAWN K. LIPLIN	DATE 10/31/02
CHECKED K. BROOKS	DATE 9/27/10
APPROVED B. KOLENO	DATE 12/9/10

SCALE N/A	PART NO.
ASSEMBLY NAME	
PART NO.	DRAWING NO. W5
DRAWING NO. <b>B T51-02-INS-0544-C</b>	