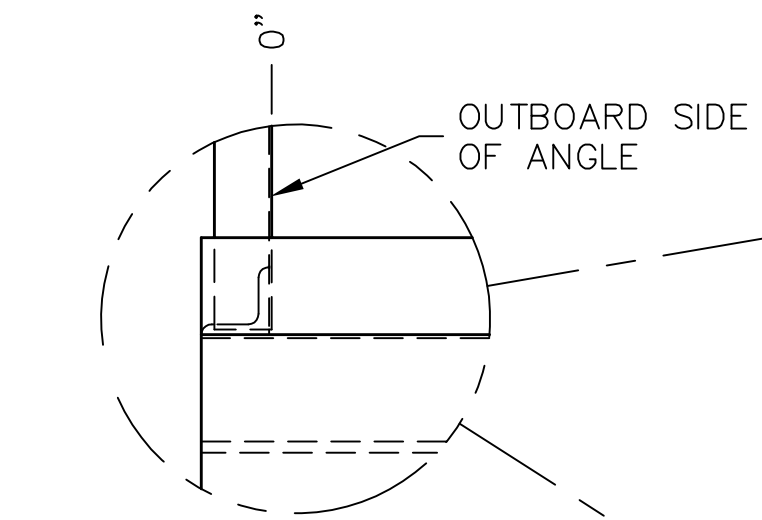
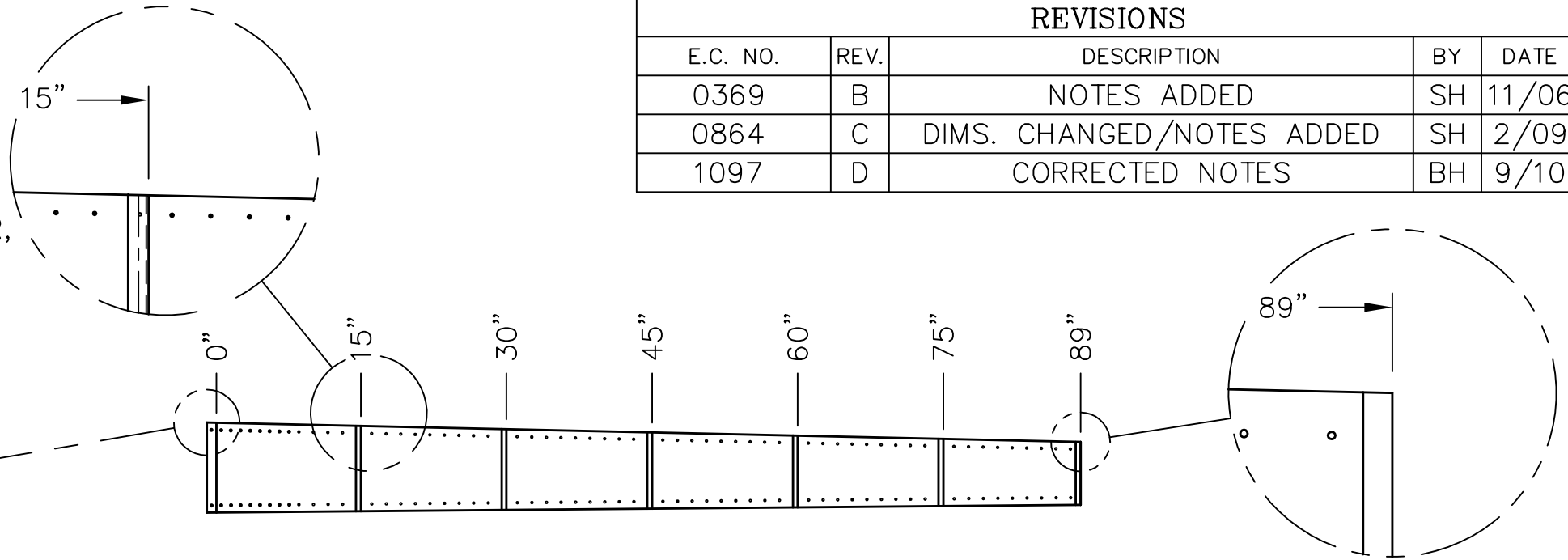


**NOTES:**

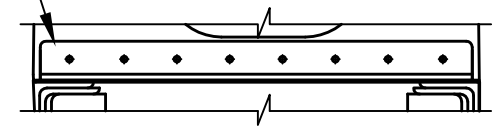
- REFER TO DRAWING T51-02-INS-0385 FOR RIB FLANGE DRILL PATTERNS.
- RIB DIMENSIONS ARE FROM THE OUTBOARD EDGE OF RIB #1 TO THE OUTBOARD EDGES OF RIBS #2-7.
- USE A #30 (φ.1285) DRILL WHEN DRILLING.
- CLECO IN PLACE UNTIL ALL RIBS HAVE BEEN FIT. DEBURR, BOND, AND RIVET USING THE REQUIRED RIVETS CALLED OUT BELOW.

REVISIONS				
E.C. NO.	REV.	DESCRIPTION	BY	DATE
0369	B	NOTES ADDED	SH	11/06
0864	C	DIMS. CHANGED/NOTES ADDED	SH	2/09
1097	D	CORRECTED NOTES	BH	9/10

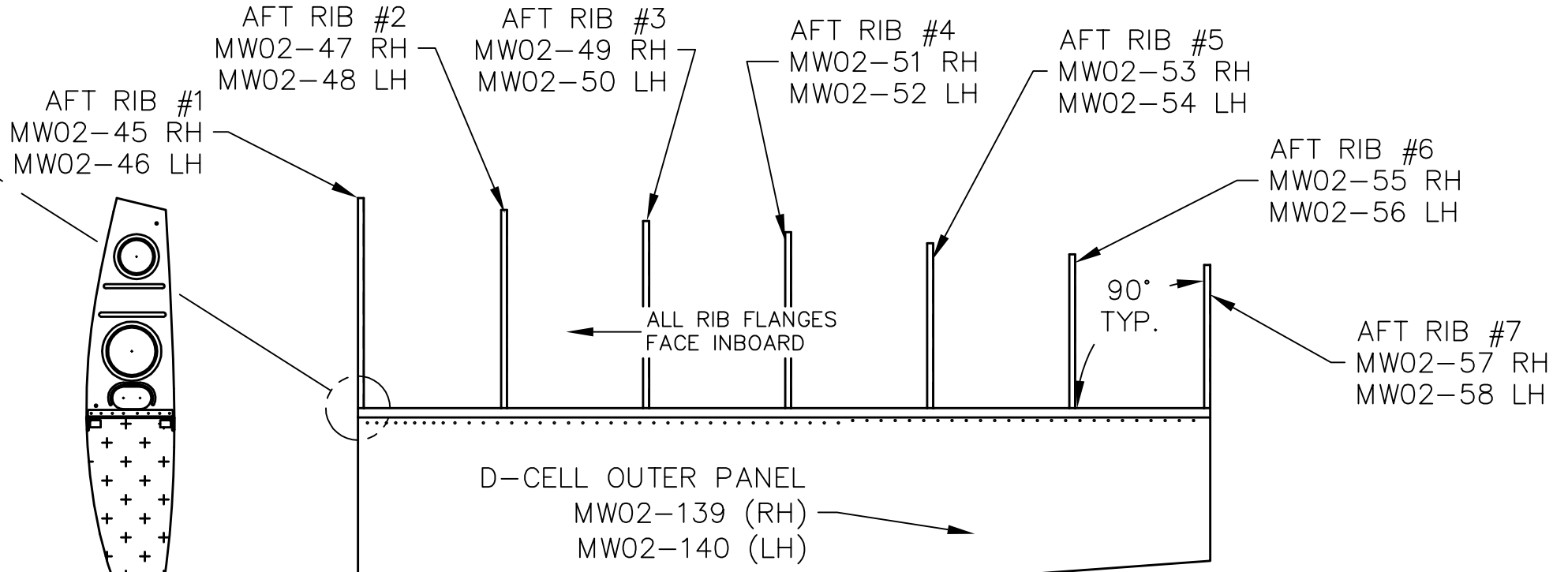


SPAR WEB STIFFENER #1  
MW02-30 (FACTORY DRILLED)

RIVET CALL OUT  
FOR RIB #1  
SCALE: 1/4" = 1"

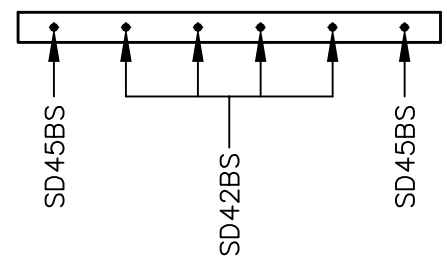


- RIVET ALL HOLES W/ SD43BS RIVETS -

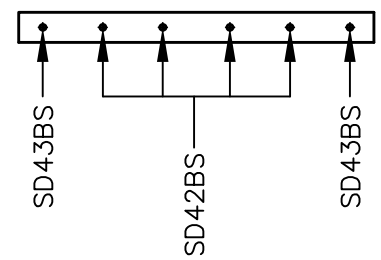


BOTTOM VIEW OF RH WING

RIVET CALL OUT  
FOR RIBS #2 & #3  
SCALE: 1/4" = 1"



RIVET CALL OUT  
FOR RIBS #4 THRU #7  
SCALE: 1/4" = 1"



**TITAN AIRCRAFT SUPPLY**  
1419 STATE ROUTE 45 SOUTH  
AUSTINBURG, OHIO 44010

DETAIL NAME		OUTER PANEL RIB INSTALLATION	
SCALE 1/16" = 1"	PART NO.		
ASSEMBLY NAME			
PART NO.		DRAWING NO. W2	
DRAWING NO. B T51-02-INS-0386-D			

DRAWN K. LIPLIN	DATE 8/9/02
CHECKED K. BROOKS	DATE 9/27/10
APPROVED B. KOLENO	DATE 12/9/10

THIS DOCUMENT PROPRIETARY TO TITAN AIRCRAFT, AND IS NOT TO BE USED, CIRCULATED, REPRODUCED, COPIED, OR DISCLOSED IN ANY MANNER WITHOUT PRIOR WRITTEN PERMISSION OF AN AUTHORIZED OFFICIAL OF TITAN AIRCRAFT.