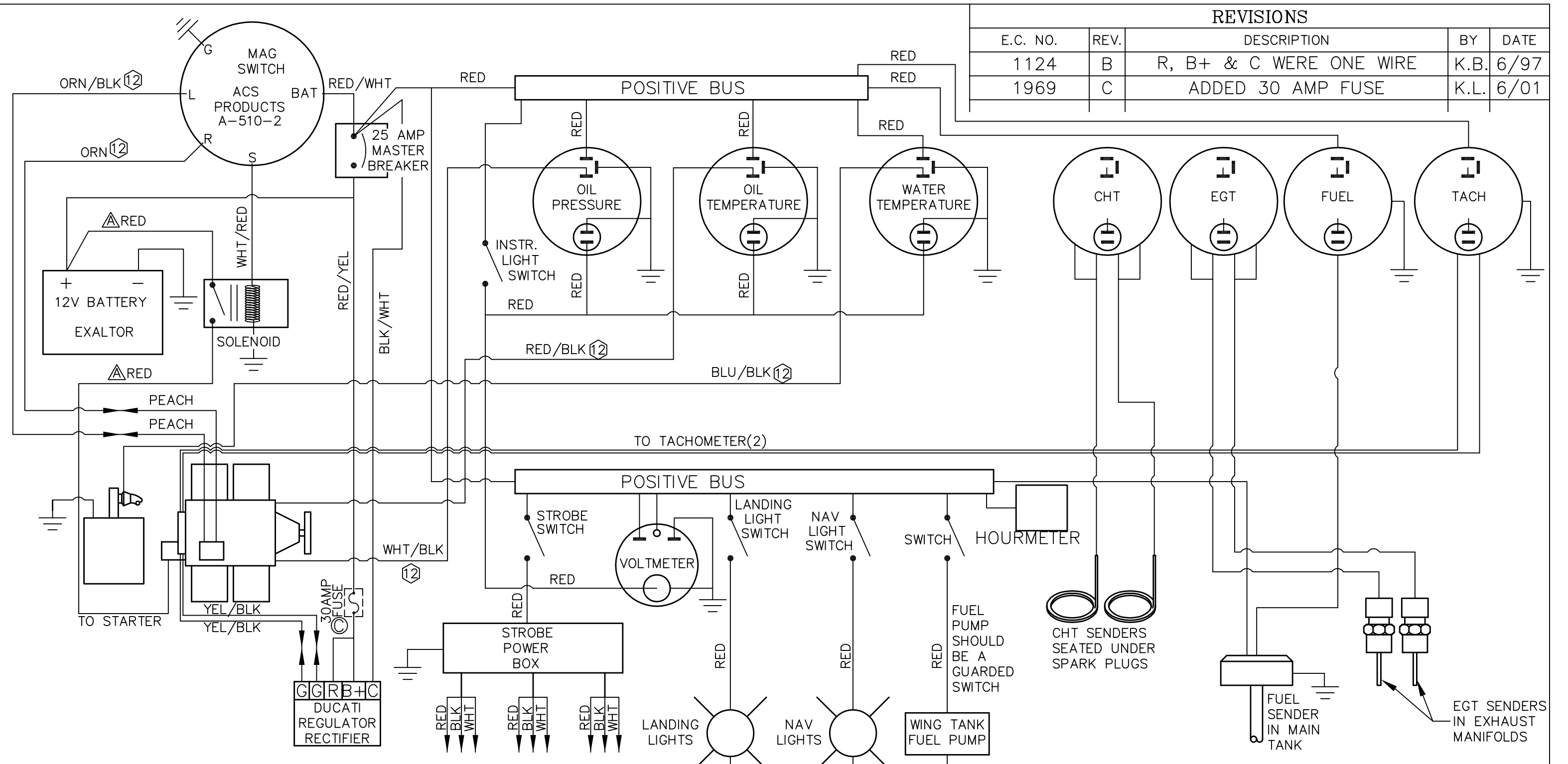


REVISIONS

E.C. NO.	REV.	DESCRIPTION	BY	DATE
1124	B	R, B+ & C WERE ONE WIRE	K.B.	6/97
1969	C	ADDED 30 AMP FUSE	K.L.	6/01



NOTE:
 - TRIM ALL UNUSED WIRES TWO INCHES IN LENGTH, FOLD OVER AND WRAP IN ELECTRICAL TAPE.
 - REMOVE BROWN GROUND WIRE FROM ENGINE AND REPLACE WITH 6 GAUGE BLACK WIRE.
 - USE INSTRUMENTS LISTED OR EQUIVALENTS.
 - USE RING TERMINALS ON MAG SWITCH AND TOGGLE SWITCHES.
 - WIRES MARKED Δ ARE 6 AWG, WIRES MARKED $\textcircled{12}$ ARE 20 AWG FROM 12 CONDUCTOR CABLE, ALL OTHER WIRES 14 AWG.

TITAN AIRCRAFT SUPPLY
 1419 STATE ROUTE 45 SOUTH
 AUSTINBURG, OHIO 44010

DETAIL NAME	912 TORNADO II WIRING DIAGRAM		
SCALE	FULL	PART NO.	
ASSEMBLY NAME	ROTAX 912		
PART NO.		DRAWING NO.	
DRAWING NO.	B 99-INS-1032-C		

DRAWN	K. BOHRER	DATE	4/9/96
CHECKED	B. PASSAFIUME	DATE	6/11/01
APPROVED	J. WILLIAMS	DATE	8/29/01

THIS DOCUMENT PROPRIETARY TO TITAN AIRCRAFT, AND IS NOT TO BE USED, CIRCULATED, REPRODUCED, COPIED, OR DISCLOSED IN ANY MANNER WITHOUT PRIOR WRITTEN PERMISSION OF AN AUTHORIZED OFFICIAL OF TITAN AIRCRAFT.