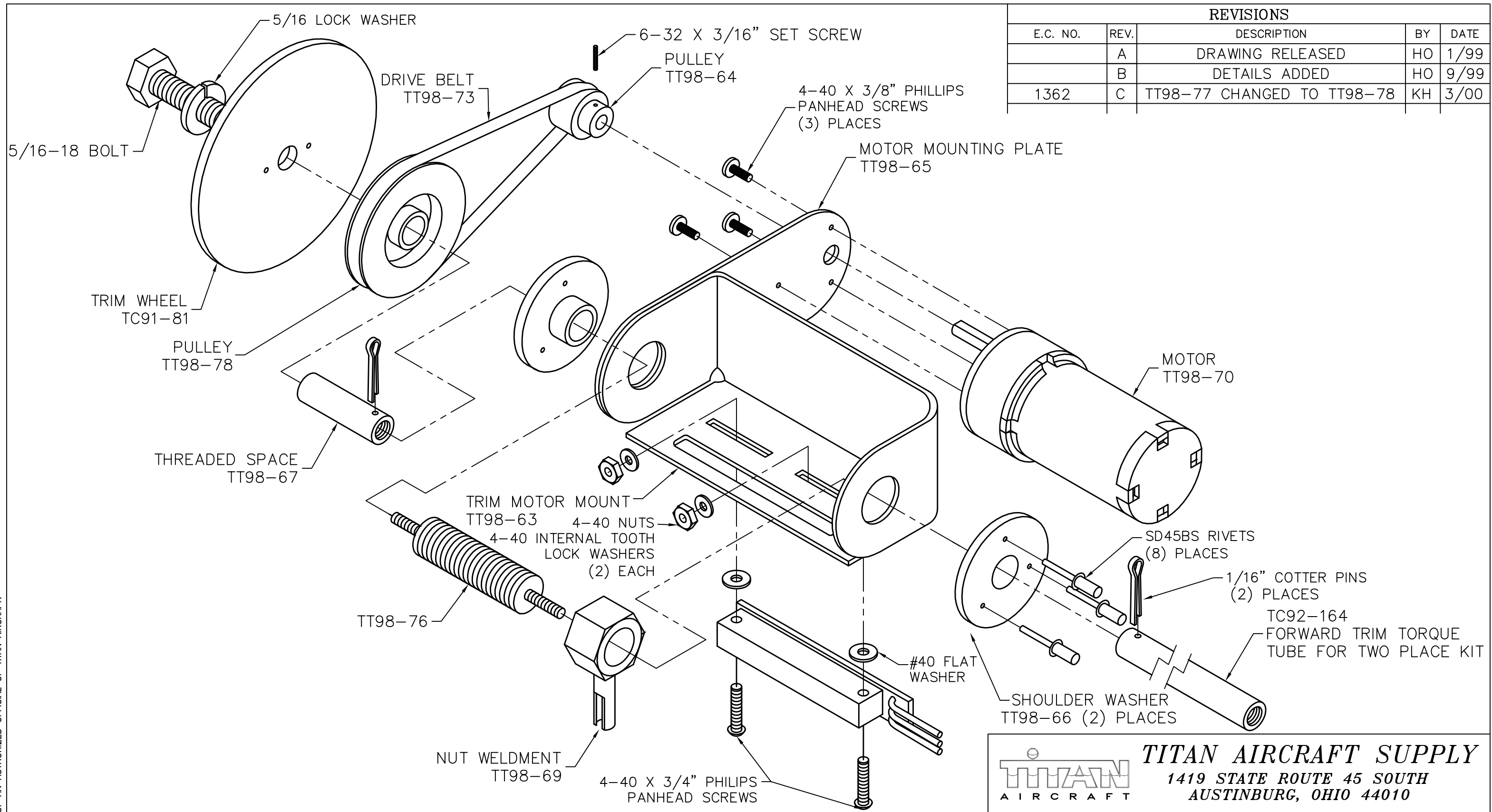


THIS DOCUMENT PROPRIETARY TO TITAN AIRCRAFT, AND IS NOT TO BE USED, CIRCULATED, REPRODUCED, COPIED, OR DISCLOSED IN ANY MANNER WITHOUT PRIOR WRITTEN PERMISSION OF AN AUTHORIZED OFFICIAL OF TITAN AIRCRAFT.



REVISIONS				
E.C. NO.	REV.	DESCRIPTION	BY	DATE
	A	DRAWING RELEASED	HO	1/99
	B	DETAILS ADDED	HO	9/99
1362	C	TT98-77 CHANGED TO TT98-78	KH	3/00

**TITAN AIRCRAFT SUPPLY**  
 1419 STATE ROUTE 45 SOUTH  
 AUSTINBURG, OHIO 44010

DETAIL NAME		TRIM MOTOR MOUNT ASSEMBLY		
SCALE	PART NO. TT98-74			
ASSEMBLY NAME				
PART NO.		DRAWING NO.		
DRAWING NO.		B 98-AS-0987-C		

DRAWN	H. OLAH	DATE	1/20/99
CHECKED		DATE	
APPROVED		DATE	