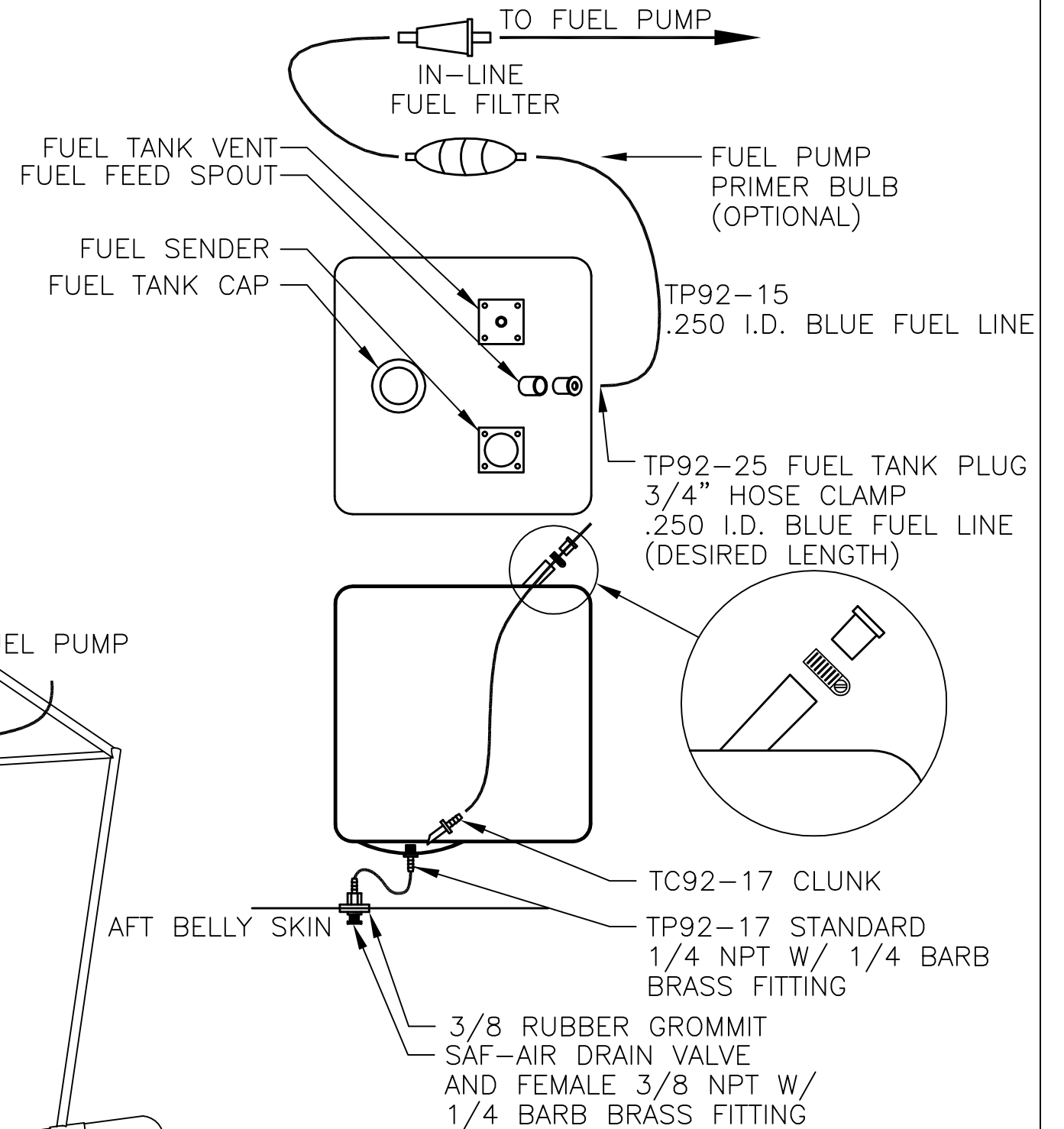
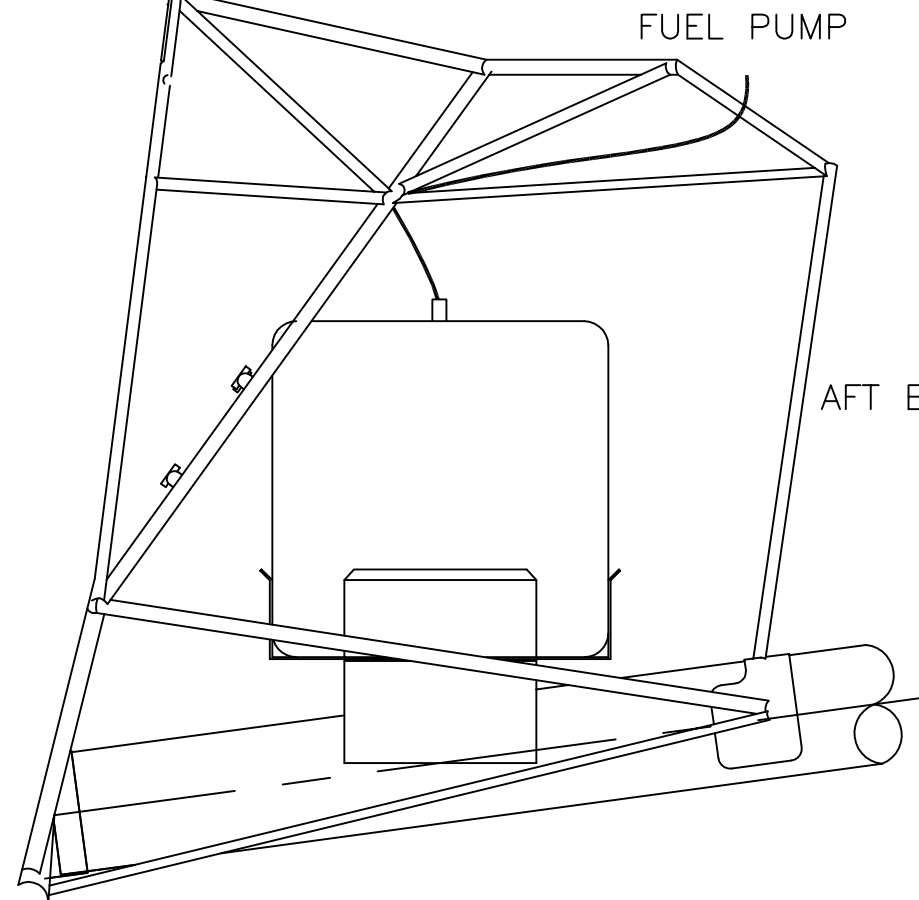
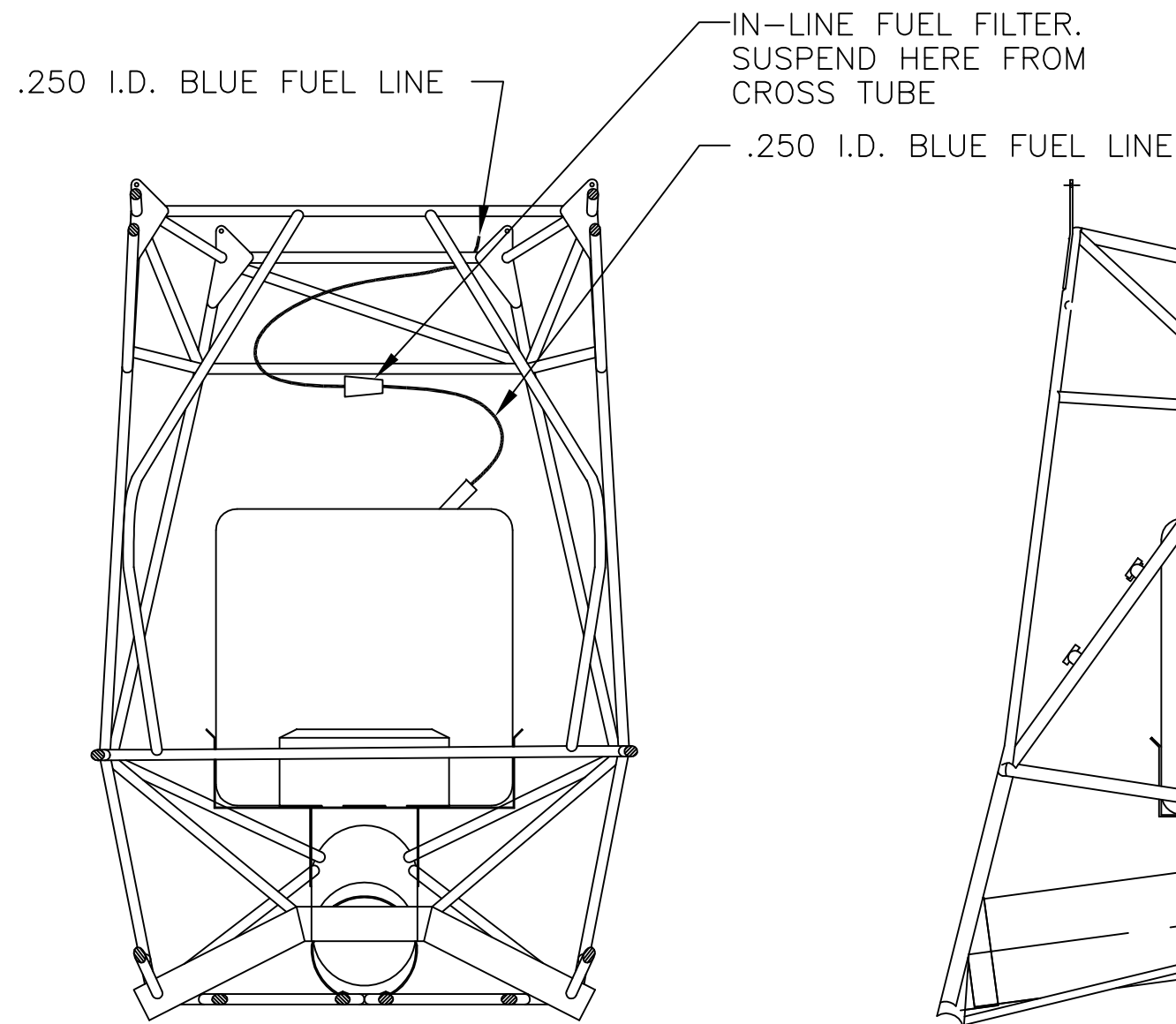


THIS DOCUMENT PROPRIETARY TO TITAN AIRCRAFT, AND IS NOT TO BE USED, CIRCULATED, REPRODUCED, COPIED, OR DISCLOSED IN ANY MANNER WITHOUT PRIOR WRITTEN PERMISSION OF AN AUTHORIZED OFFICIAL OF TITAN AIRCRAFT.



TITAN AIRCRAFT SUPPLY
 1419 STATE ROUTE 45 SOUTH
 AUSTINBURG, OHIO 44010

DETAIL NAME		FUEL LINE ROUTING FOR 10 GALLON TANK	
SCALE	N/A	PART NO.	
ASSEMBLY NAME		TWO PLACE TORNADO	
PART NO.		DRAWING NO.	
DRAWING NO.		B 96-INS-0786-A	

DRAWN	K. BOHRER	DATE	11/19/96
CHECKED	B. PASSAFIUME	DATE	11/25/96
APPROVED	J. WILLIAMS	DATE	11/25/96