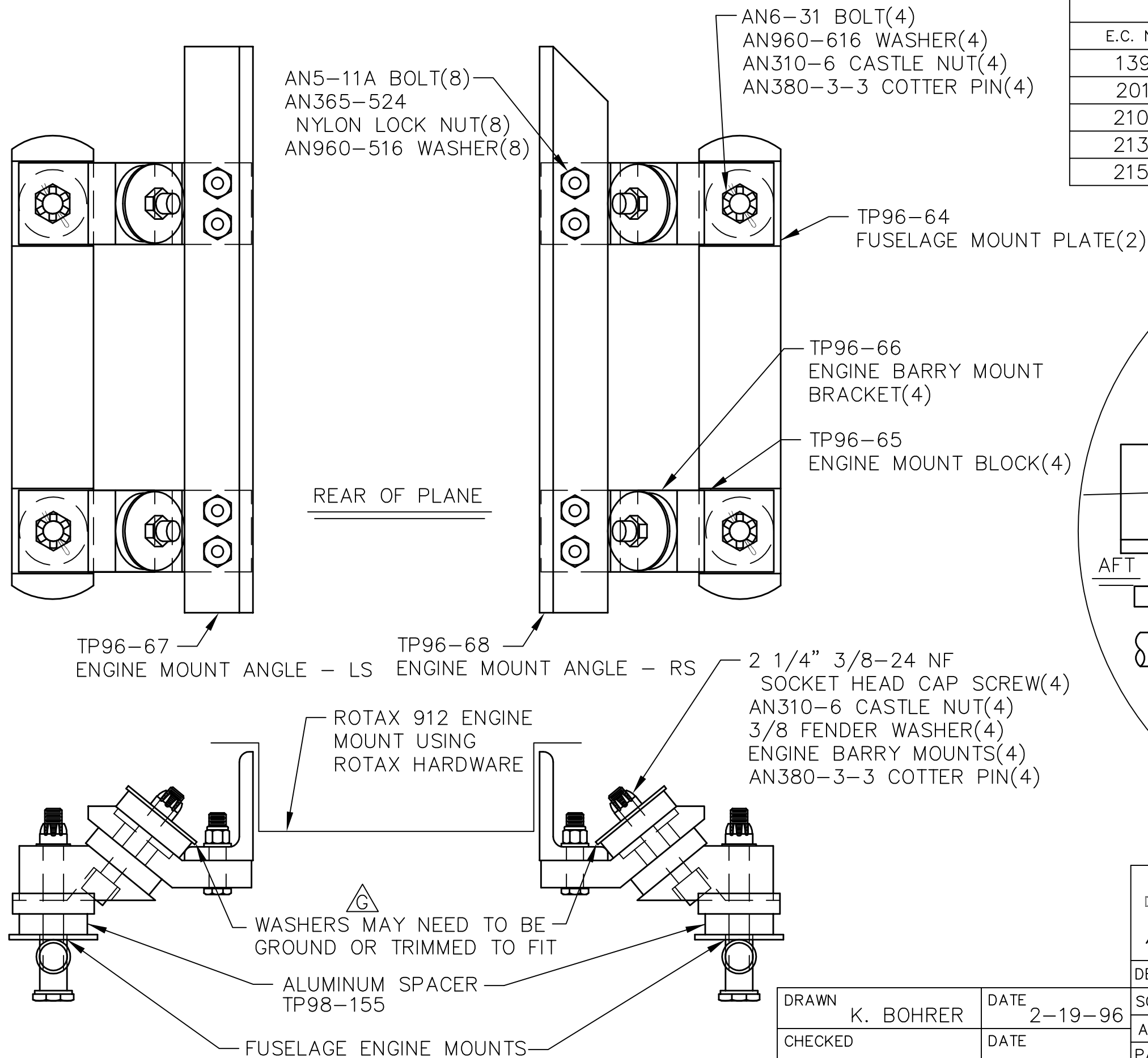
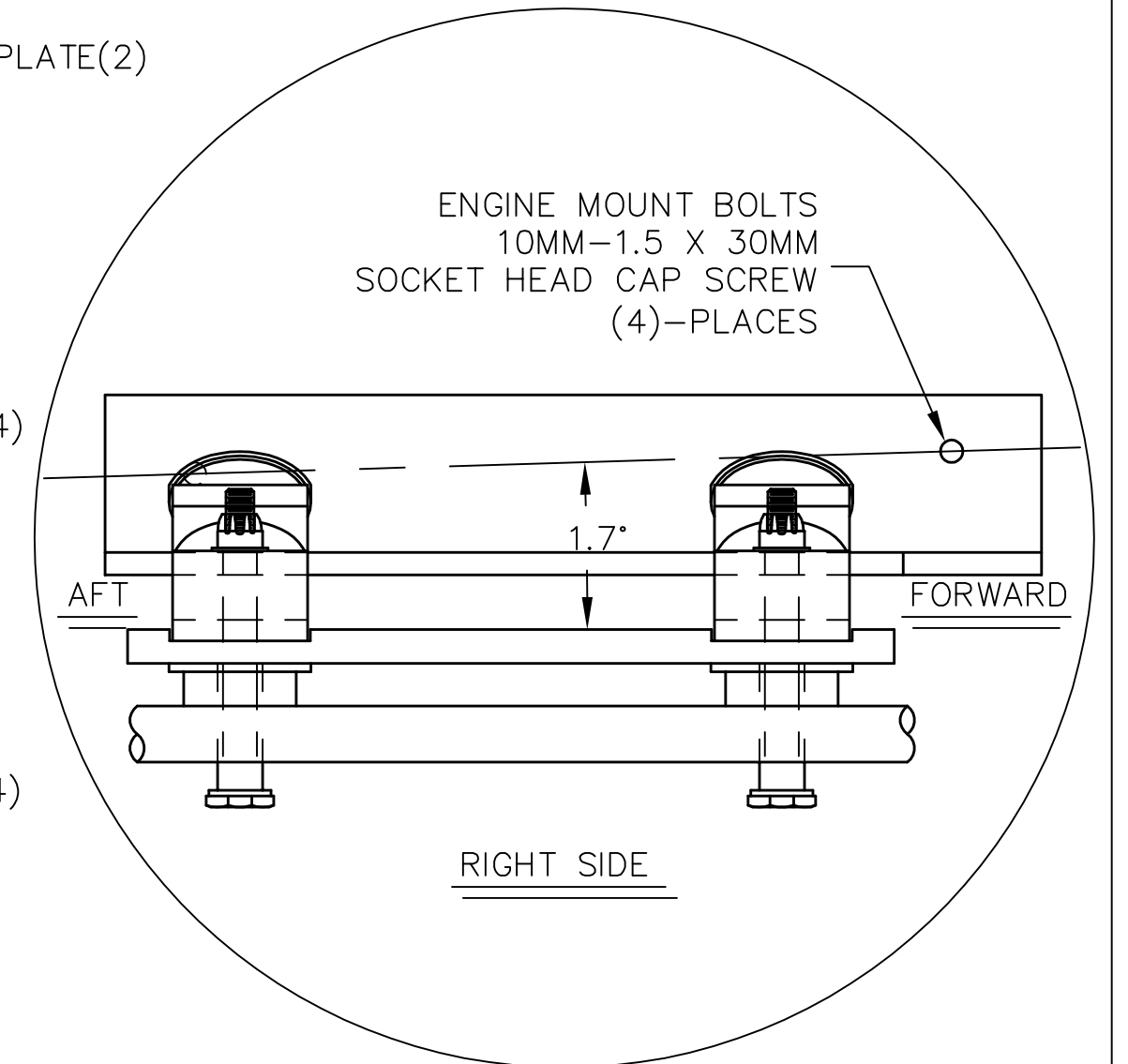



THIS DOCUMENT PROPRIETARY TO TITAN AIRCRAFT, AND IS NOT TO BE USED, CIRCULATED, REPRODUCED, COPIED, OR DISCLOSED IN ANY MANNER WITHOUT PRIOR WRITTEN PERMISSION OF AN AUTHORIZED OFFICIAL OF TITAN AIRCRAFT.



REVISIONS				
E.C. NO.	REV.	DESCRIPTION	BY	DATE
1394	C	45° ANGLE ADDED & PART #'S CH	K.B.	4/97
2011	D	ADDED ENGINE MOUNT BOLTS NOTE	K.L.	9/01
2100	E	MOTOR MOUNT BOLT WAS AN6-27	KL	12/02
2130	F	ADDED ALUMINUM SPACER	CE	1/04
2155	G	ADDED NOTE	CE	5/05



 TITAN AIRCRAFT SUPPLY 1419 STATE ROUTE 45 SOUTH AUSTINBURG, OHIO 44010		DETAIL NAME	
		SCALE N/A	PART NO.
DRAWN K. BOHRER		DATE 2-19-96	
CHECKED		DATE	
APPROVED		DATE	
ASSEMBLY NAME 912 DYNAFOCAL MOUNTING INSTRUCTIONS		DRAWING NO.	
PART NO.		DRAWING NO. B 96-INS-0653-G	