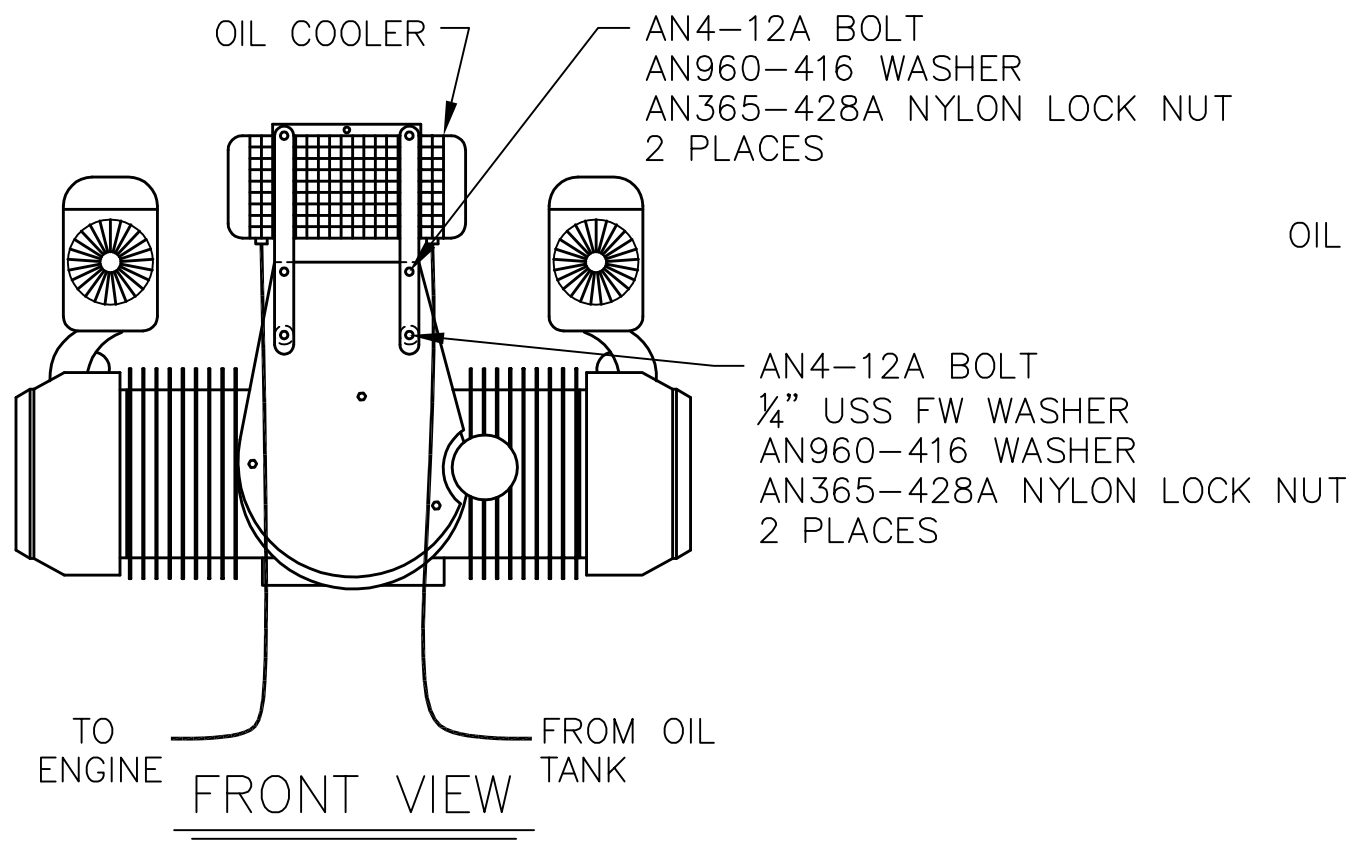
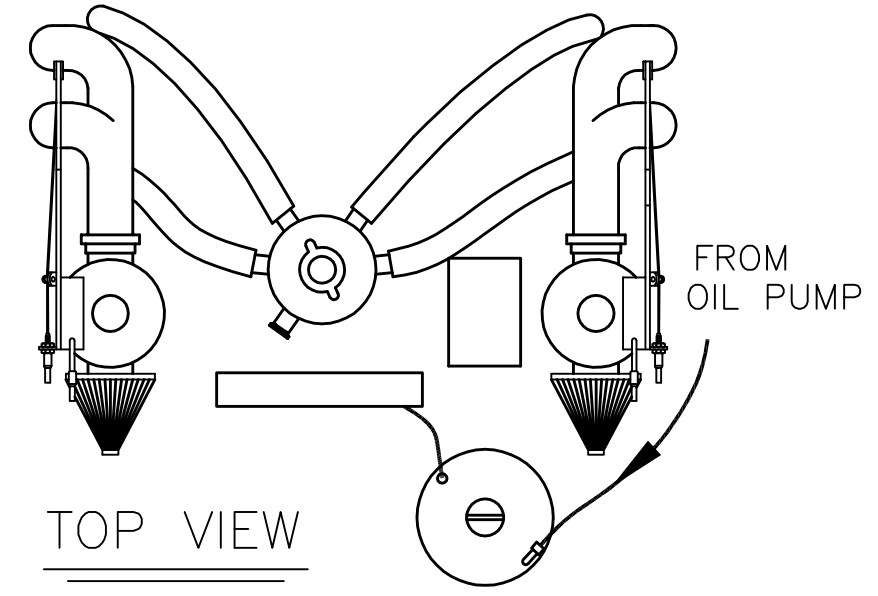


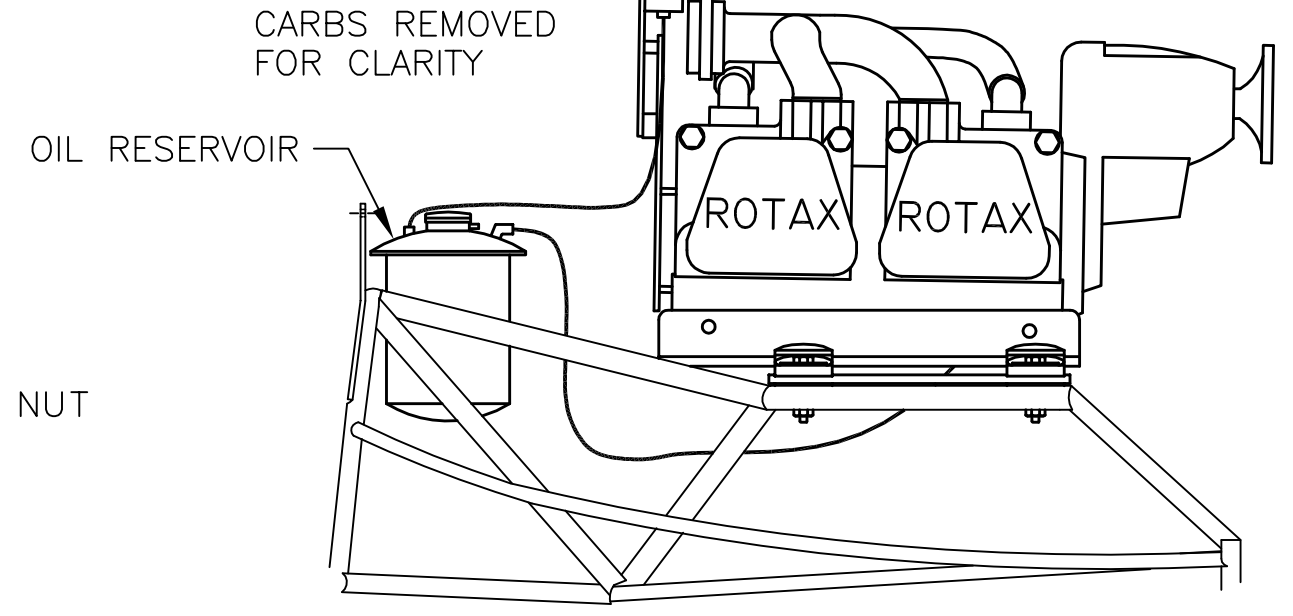
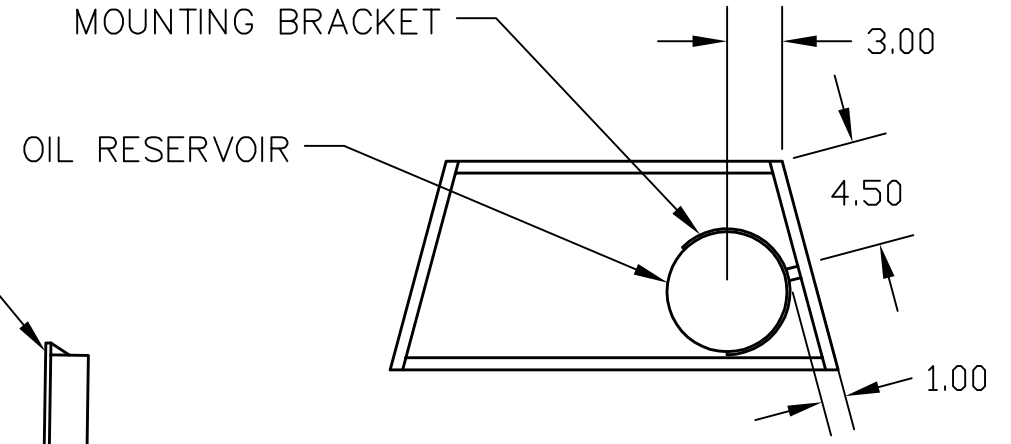
REVISIONS

E.C. NO.	REV.	DESCRIPTION	BY	DATE
1126	B	OIL COOLER BRACKETS ADDED	K.B.	3/97



AN4-12A BOLT
AN960-416 WASHER
(2 - 1 ON EACH SIDE)
AN365-428A NYLON LOCK NUT
2 PLACES

CARBS REMOVED
FOR CLARITY



SIDE VIEW

THIS DOCUMENT PROPRIETARY TO TITAN AIRCRAFT, AND IS NOT TO BE USED, CIRCULATED, REPRODUCED, COPIED, OR DISCLOSED IN ANY MANNER WITHOUT PRIOR WRITTEN PERMISSION OF AN AUTHORIZED OFFICIAL OF TITAN AIRCRAFT.

TITAN AIRCRAFT SUPPLY
1419 STATE ROUTE 45 SOUTH
AUSTINBURG, OHIO 44010

DRAWN K. BOHRER		DATE 2/12/96	SCALE N/A		PART NO.
CHECKED B. PASSAFIUME		DATE 6/19/97	ASSEMBLY NAME 912 OIL COOLER INSTALLATION		
APPROVED J. SUTCH		DATE 6/20/97	DRAWING NO.		DRAWING NO.
			DRAWING NO. B 96-INS-0643-B		