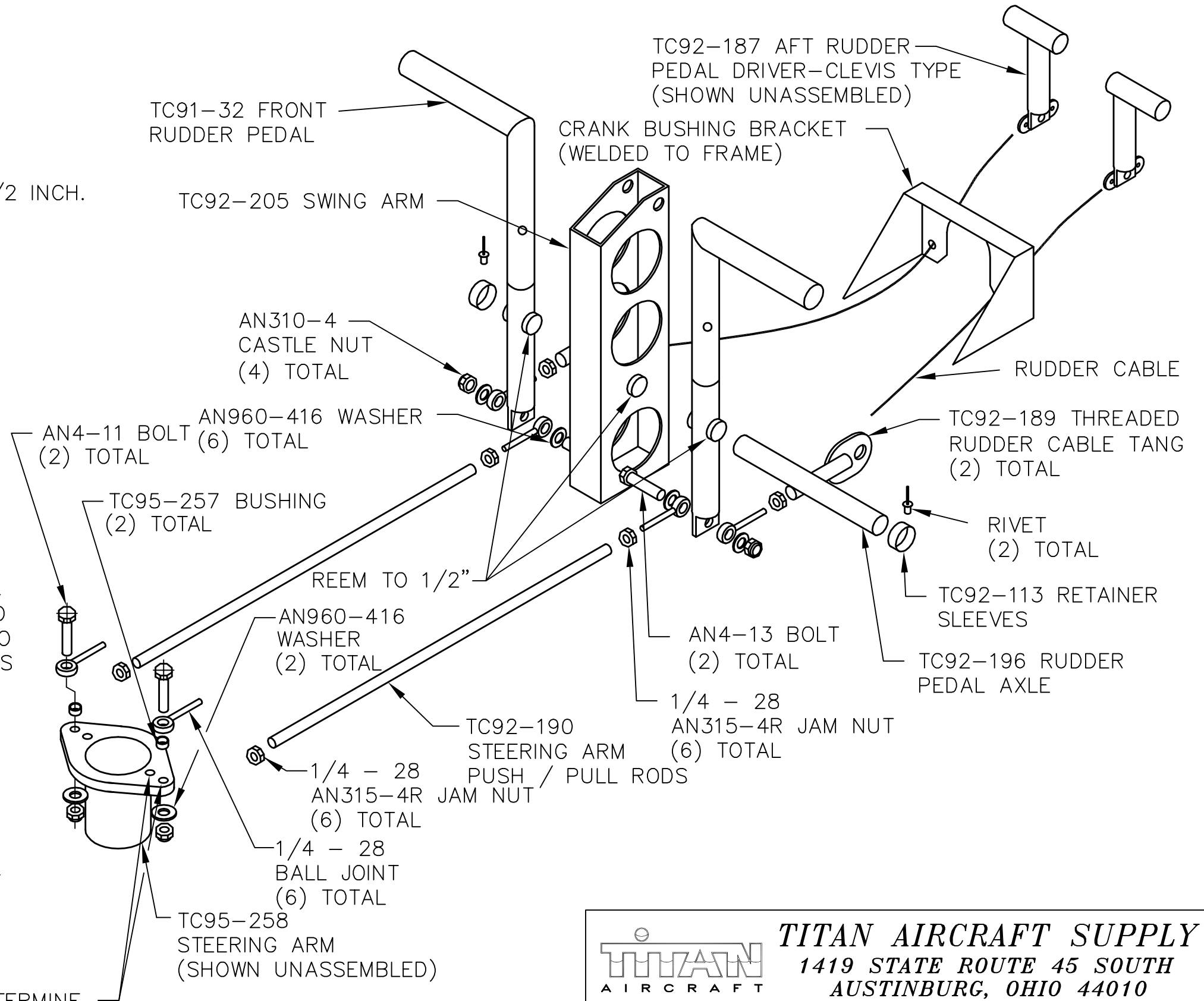


THIS DOCUMENT PROPRIETARY TO TITAN AIRCRAFT, AND IS NOT TO BE USED, CIRCULATED, REPRODUCED, COPIED, OR DISCLOSED IN ANY MANNER WITHOUT PRIOR WRITTEN PERMISSION OF AN AUTHORIZED OFFICIAL OF TITAN AIRCRAFT.

PEDAL ASSEMBLY NOTES:

- AFT RUDDER PEDAL DRIVERS AND NOSE FORK MUST BE ASSEMBLED FIRST.
- SWING ARM AND PEDALS ARE PRE-REEMED TO 1/2 INCH.
- SLIDE PEDAL AXLE THROUGH SWING ARM THEN SLIDE THE PEDALS ONTO THE AXLE. SLIDE RETAINING SLEEVES ONTO THE AXLE SO THAT THEY HOLD THE PEDALS FIRMLY IN PLACE.
- ** PEDALS SHOULD STILL SWING FREELY **
- DRILL THROUGH ONE WALL ON RETAINER AND AXLE WITH #30 (.1285 DIA) DRILL. RIVET WITH SD42BS RIVETS (1/8 DIA X 17/64 LONG).
- PUSH/PULL RODS ENDS ARE PRE-TAPPED TO 1/4-28
- CLAMP RUDDER PEDALS TOGETHER TO ASSURE BOTH REMAIN IN THE NEUTRAL POSITION.
- ROTATE NOSE FORK IN THE STRAIGHT FORWARD POSITION. INSERT BALL JOINTS OVER .250 SPACER WITH CASTLE NUTS INTO EACH END OF THE PUSH/PULL RODS. BOLT PUSH RODS TO RUDDER PEDALS AND STEERING ARM SO THAT PEDALS ARE PARALLEL TO EACH OTHER AND NOSE FORK ASSEMBLY REMAINS IN THE STRAIGHT FORWARD POSITION. TIGHTEN DOWN CASTLE NUTS.
- SCREW THREADED RUDDER CABLE TANG AND JAM NUT ONTO BALL JOINTS. NYCO RUDDER CABLE TO THREADED CABLE TANG. ROUTE CABLES THRU CRANK BUSHING BRACKET TO AFT RUDDER PEDAL DRIVERS. NYCO CABLES TO CABLE TANG BOLTED TO AFT RUDDER PEDAL DRIVERS. THE AFT RUDDER PEDAL DRIVERS MUST REMAIN IN A VERTICLE POSITION WHEN RUDDER PEDALS ARE PARALLEL TO EACH OTHER.
- INSERT BALL JOINTS INTO ROD ENDS. PLACE .250 SPACER (TC95-257 BUSHING), INSERT AN4-11 BOLT THROUGH ROD END AND .250 BUSHING AS SHOWN

THESE HOLES DETERMINE THE STEERING RATIO. (INNER HOLES HAVE A TIGHTER TURNING RADIUS AND OUTER HOLES HAVE A WIDER TURNING RADIUS)



 TITAN AIRCRAFT SUPPLY 1419 STATE ROUTE 45 SOUTH AUSTINBURG, OHIO 44010	DETAIL NAME RUDDER PEDAL ASSEMBLY INSTRUCTIONS	
	SCALE N/A	PART NO. N/A

DRAWN J. PRESTON	DATE 2/25/93	ASSEMBLY NAME ADJUSTABLE PEDAL ASSEMBLY	
CHECKED R. INGLE	DATE 5/2/01	PART NO. N/A	DRAWING NO.
APPROVED J. WILLIAMS	DATE 5/2/01	DRAWING NO. B 92-INS-0274-D	