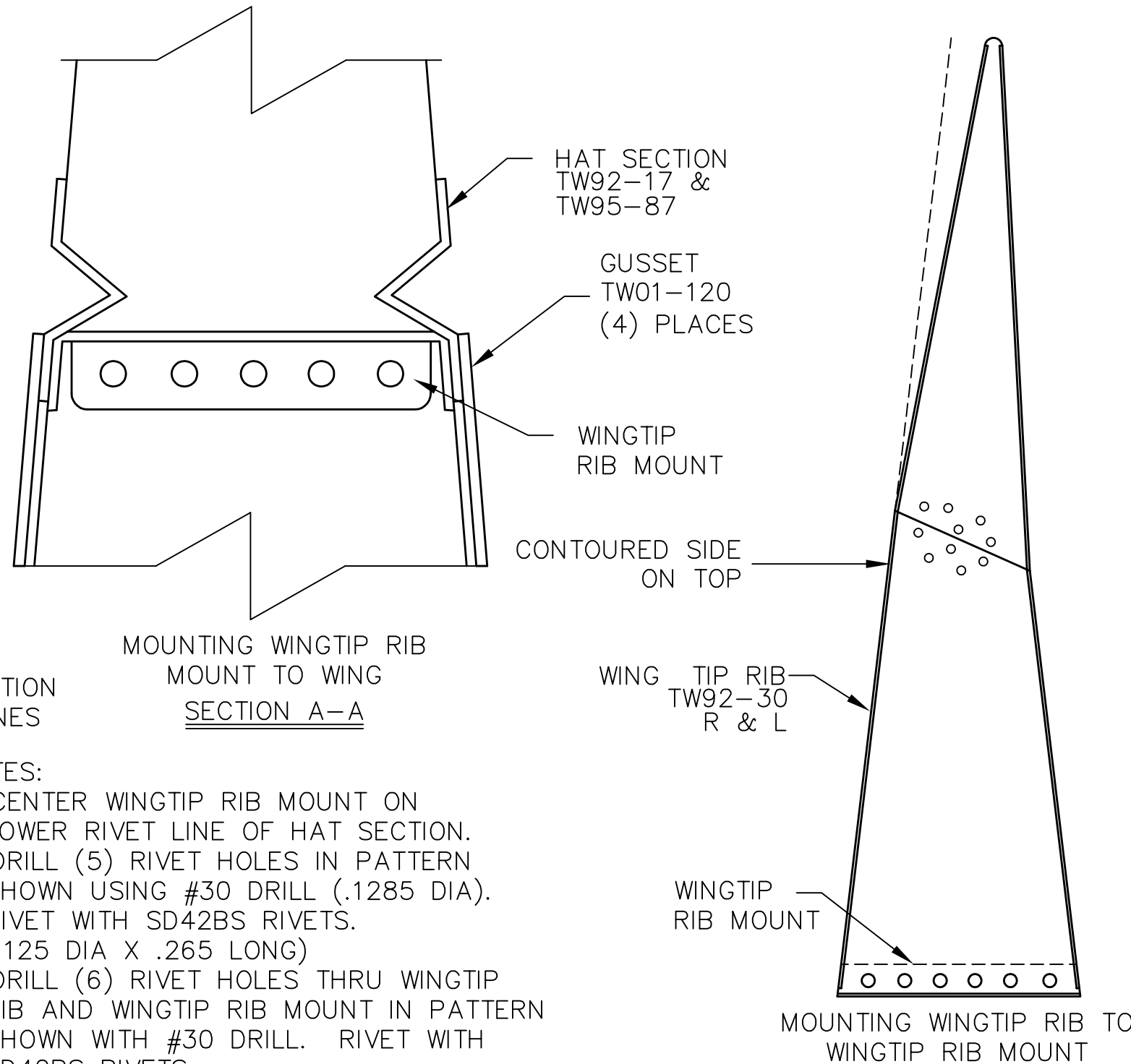
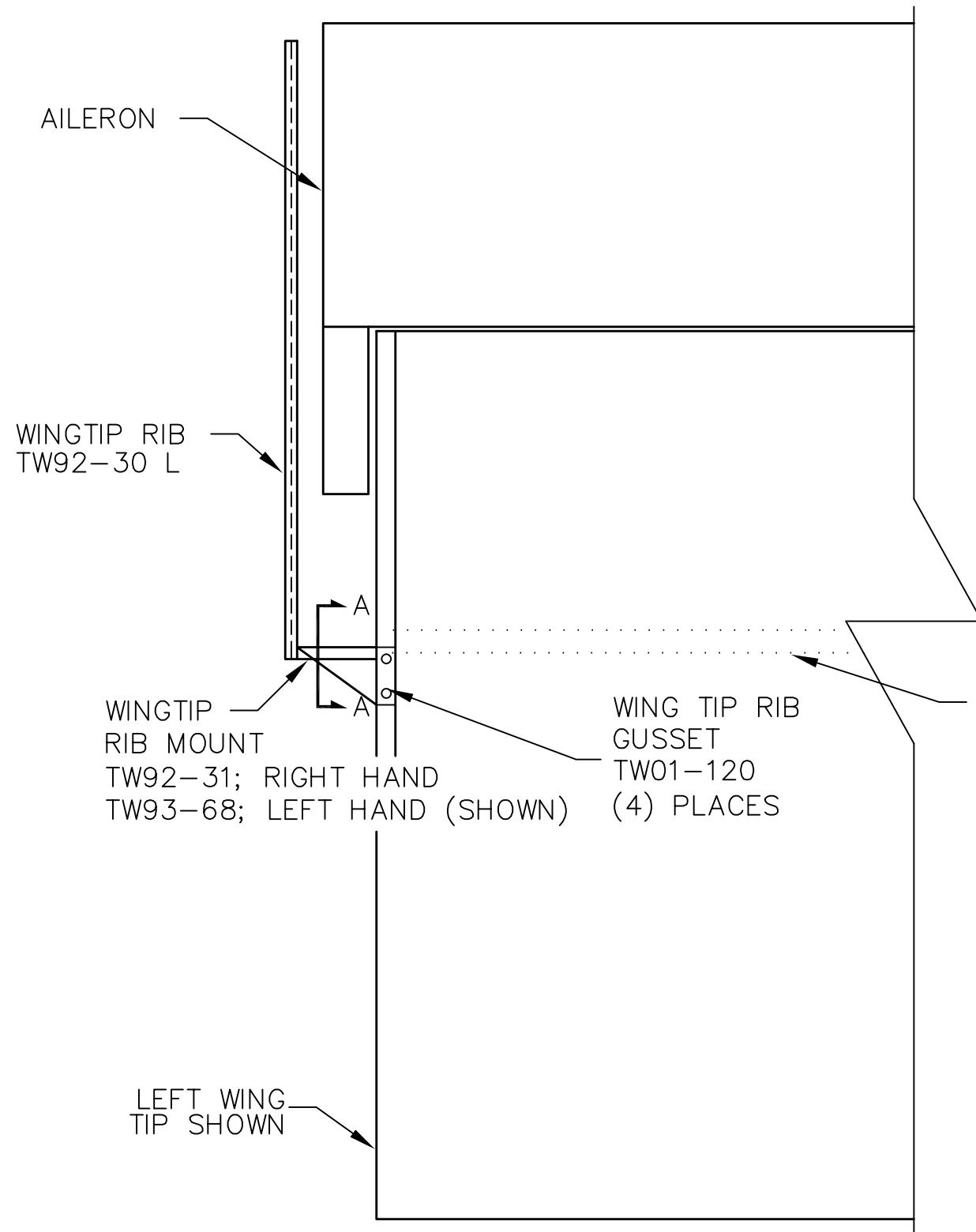


THIS DOCUMENT PROPRIETARY TO TITAN AIRCRAFT, AND IS NOT TO BE USED, CIRCULATED, REPRODUCED, COPIED, OR DISCLOSED IN ANY MANNER WITHOUT PRIOR WRITTEN PERMISSION OF AN AUTHORIZED OFFICIAL OF TITAN AIRCRAFT.



- NOTES:
- CENTER WINGTIP RIB MOUNT ON LOWER RIVET LINE OF HAT SECTION.
  - DRILL (5) RIVET HOLES IN PATTERN SHOWN USING #30 DRILL (.1285 DIA). RIVET WITH SD42BS RIVETS. (.125 DIA X .265 LONG)
  - DRILL (6) RIVET HOLES THRU WINGTIP RIB AND WINGTIP RIB MOUNT IN PATTERN SHOWN WITH #30 DRILL. RIVET WITH SD42BS RIVETS.
  - MAY ADD GUSSET TO EACH SIDE OF WING TIP RIB MOUNT. (OPTIONAL)


**TITAN AIRCRAFT SUPPLY**  
 1419 STATE ROUTE 45 SOUTH  
 AUSTINBURG, OHIO 44010

DETAIL NAME		WINGTIP RIB INSTALLATION	
SCALE	N/A	PART NO.	
ASSEMBLY NAME		ALL TITAN WINGS W/ 1/2" DROOP	
PART NO.		DRAWING NO.	
DRAWING NO.		<i>B92-INS-0264-E</i>	

DRAWN	J. PRESTON	DATE	10/8/92
CHECKED	R. INGLE	DATE	3/15/01
APPROVED	J. WILLIAMS	DATE	3/15/01