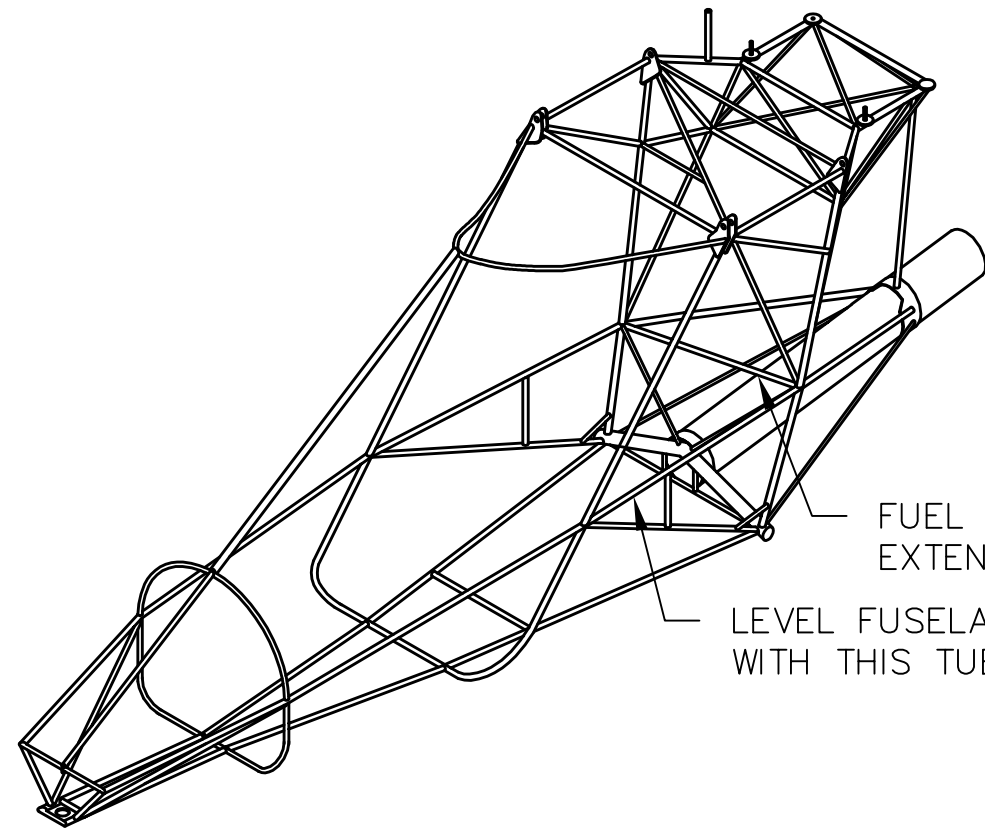


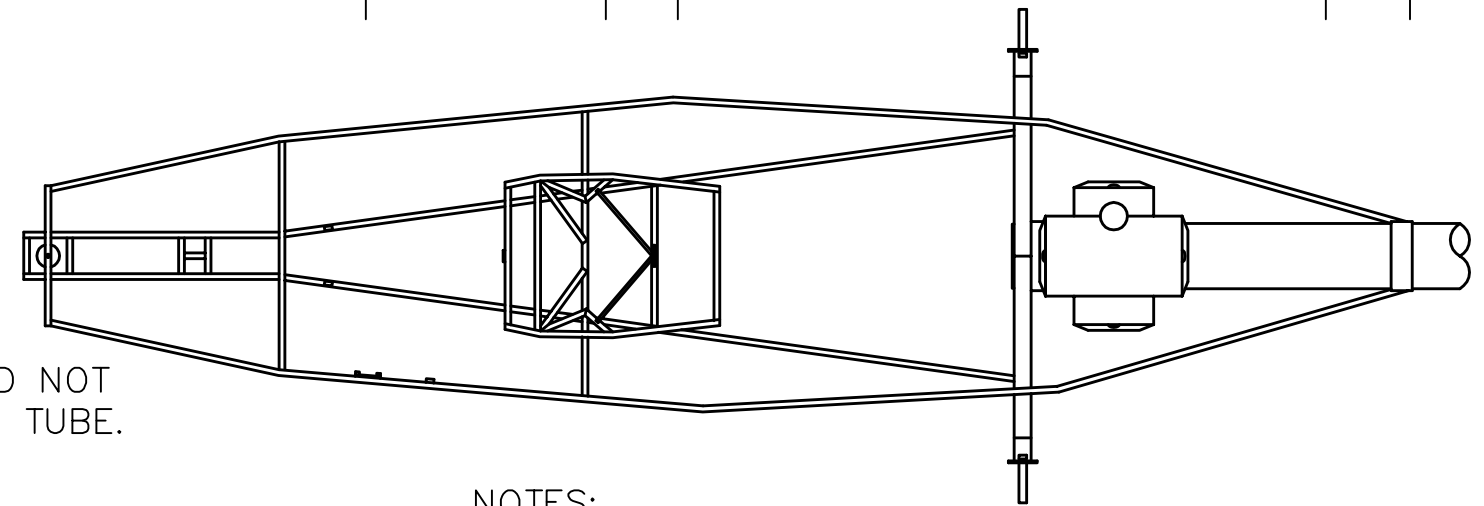
THIS DOCUMENT PROPRIETARY TO TITAN AIRCRAFT, AND IS NOT TO BE USED, CIRCULATED, REPRODUCED, COPIED, OR DISCLOSED IN ANY MANNER WITHOUT PRIOR WRITTEN PERMISSION OF AN AUTHORIZED OFFICIAL OF TITAN AIRCRAFT.

REVISIONS				
E.C. NO.	REV.	DESCRIPTION	BY	DATE
	A	DRAWING RELEASED	JP	8/92
1839	B	ADDED PART NUMBERS	KL	3/01



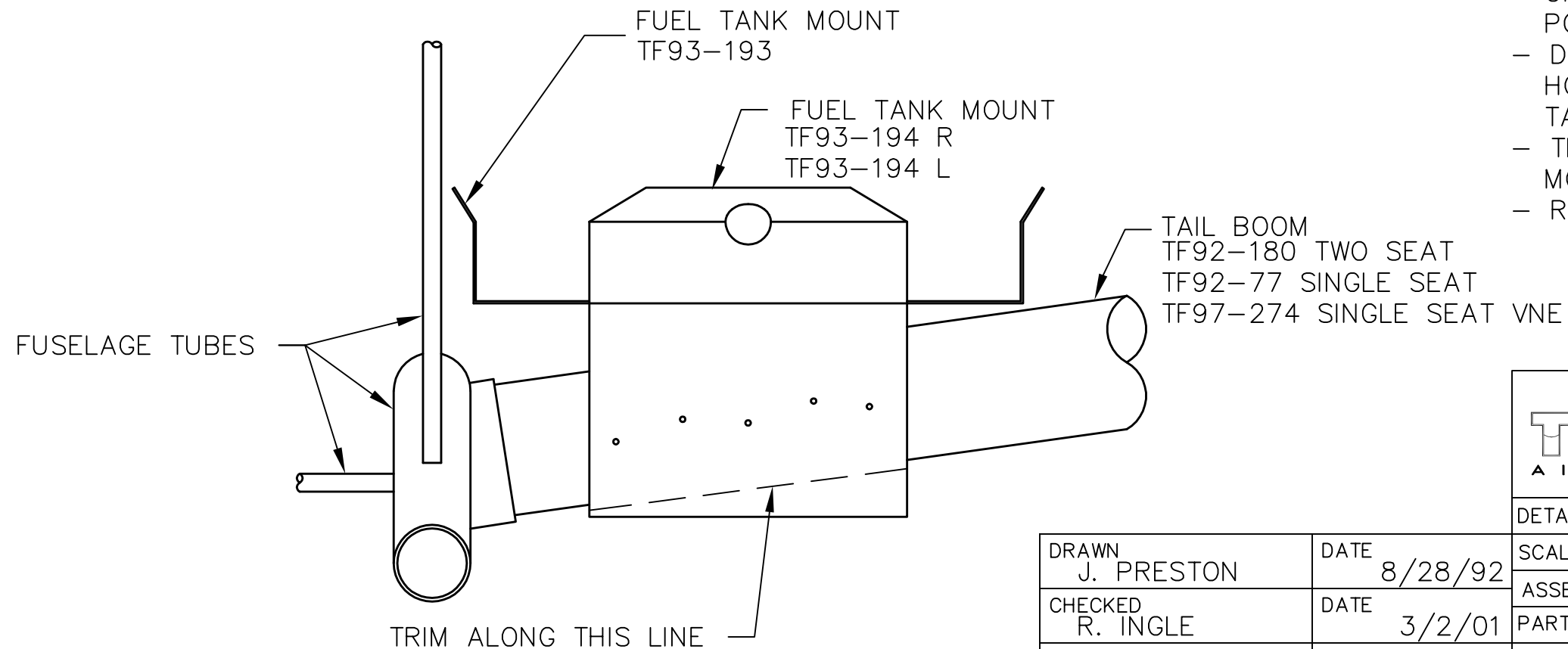
FUEL TANK MOUNT SHOULD NOT EXTEND IN FRONT OF THIS TUBE.

LEVEL FUSELAGE WITH THIS TUBE



NOTES:

- LEVEL FUSELAGE WITH INDICATED TUBE.
- POSITION FUEL TANK MOUNT IN THE REAR OF PLANE. FUEL TANK MOUNT SHOULD BE LEVEL AND IN THE FORWARD MOST POSITION WITHOUT FUEL TANK MOUNT ENTERING THE FORWARD FUSELAGE AREA. THE HOLE IN THE BOTTOM OF THE FUEL TANK MOUNT SHOULD BE POSITIONED ON THE RIGHT SIDE OF FUSELAGE.
- DRILL (10) #30 DRILL (.1285 DIA) MOUNTING HOLES THROUGH FUEL TANK MOUNT AND TAIL BOOM.
- TRIM EXCESS METAL OFF THE FUEL TANK MOUNT.
- RIVET WITH SD43BS RIVETS (.125 DIA X .328 LONG).



TITAN AIRCRAFT SUPPLY
 1419 STATE ROUTE 45 SOUTH
 AUSTINBURG, OHIO 44010

DETAIL NAME		FUEL TANK MOUNT INSTALLATION	
SCALE	N/A	PART NO.	
ASSEMBLY NAME SINGLE & TWO PLACE 10 GALLON ASS'Y			
PART NO.		DRAWING NO.	
DRAWING NO.		B 92-INS-0252-B	

DRAWN	J. PRESTON	DATE	8/28/92
CHECKED	R. INGLE	DATE	3/2/01
APPROVED	J. WILLIAMS	DATE	3/2/01