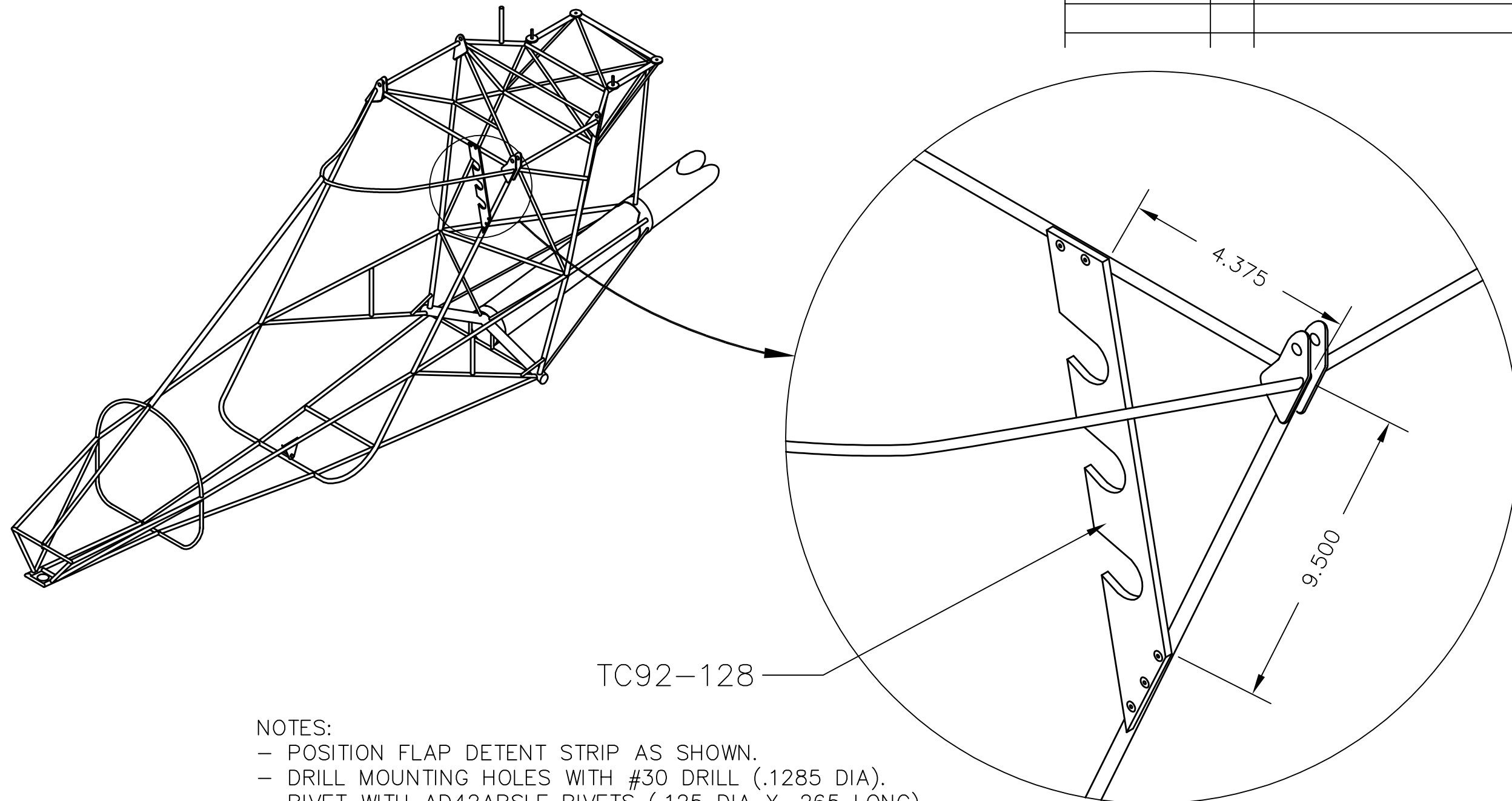


THIS DOCUMENT PROPRIETARY TO TITAN AIRCRAFT, AND IS NOT TO BE USED, CIRCULATED, REPRODUCED, COPIED, OR DISCLOSED IN ANY MANNER WITHOUT PRIOR WRITTEN PERMISSION OF AN AUTHORIZED OFFICIAL OF TITAN AIRCRAFT.

REVISIONS				
E.C. NO.	REV.	DESCRIPTION	BY	DATE
	A	DRAWING RELEASED	JP	8/92
1836	B	ADDED PART NO. & ASS'Y NAME	KL	3/01



- NOTES:
- POSITION FLAP DETENT STRIP AS SHOWN.
 - DRILL MOUNTING HOLES WITH #30 DRILL (.1285 DIA).
 - RIVET WITH AD42ABSLF RIVETS (.125 DIA X .265 LONG)



TITAN AIRCRAFT SUPPLY
 1419 STATE ROUTE 45 SOUTH
 AUSTINBURG, OHIO 44010

DETAIL NAME		FLAP DETENT STRIP INSTALLATION	
SCALE	N/A	PART NO.	
ASSEMBLY NAME ALL TORNADO AIRCRAFT (MANUAL FLAPS)			
PART NO.		DRAWING NO.	
DRAWING NO.		B 92-INS-0237-B	

DRAWN	J. PRESTON	DATE	8/10/92
CHECKED	R. INGLE	DATE	3/1/01
APPROVED	J. WILLIAMS	DATE	3/1/01