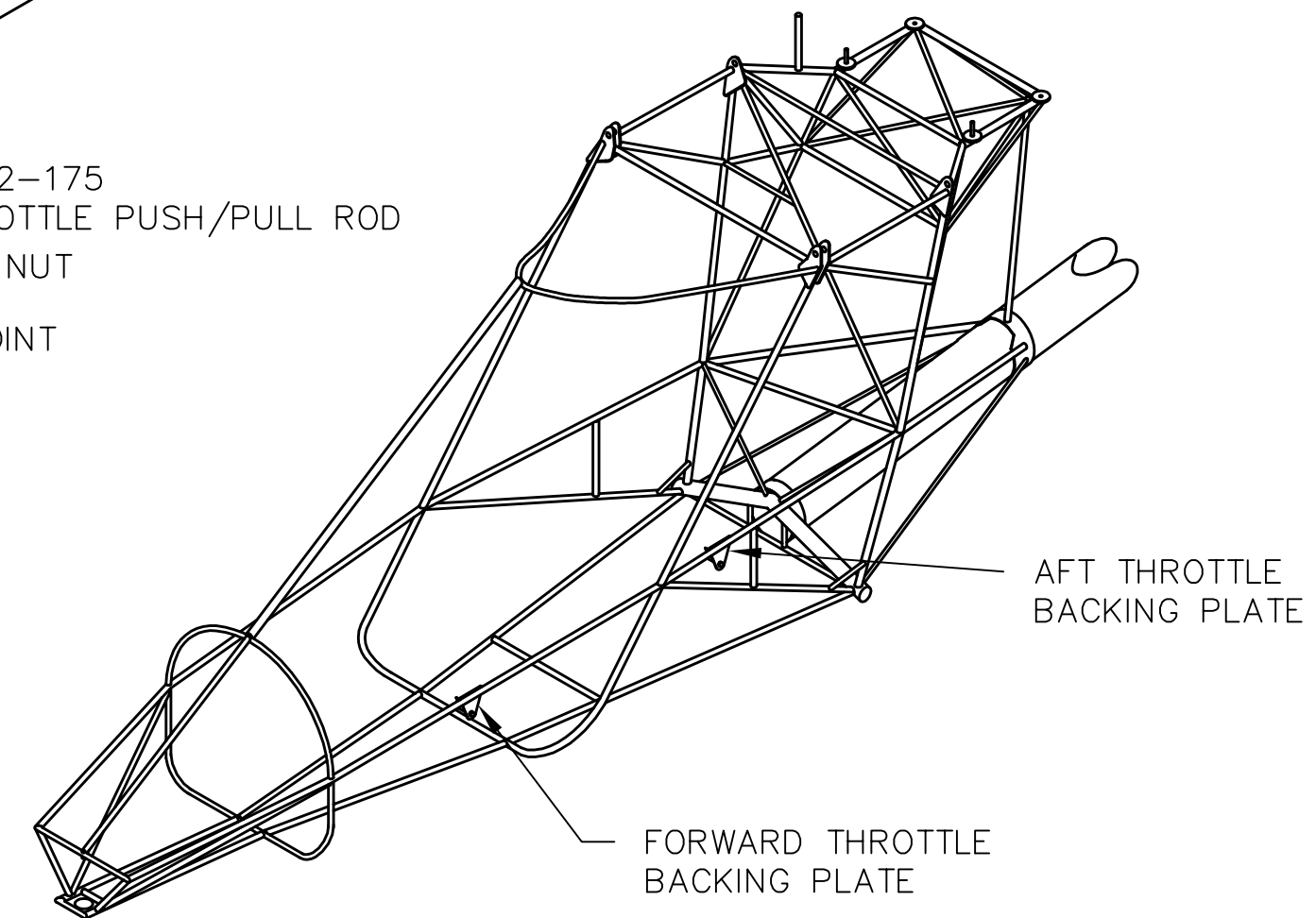
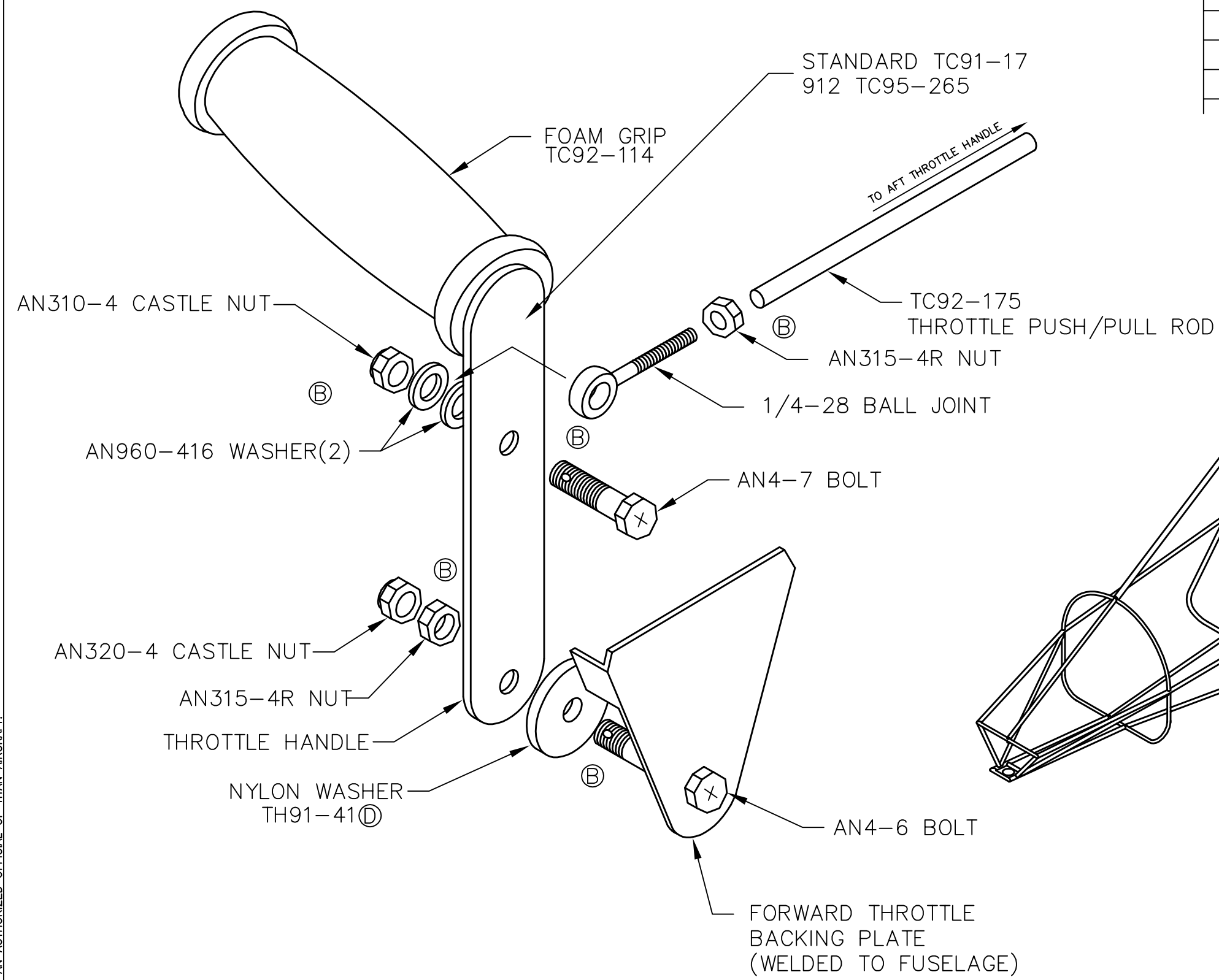


REVISIONS

E.C. NO.	REV.	DESCRIPTION	BY	DATE
	B	NEW HARDWARE	K.B.	9/95
1834	C	ADDED PART NUMBERS	KL	3/01
1946	D	WAS NYLON LOCK WASHER	KL	4/01



THIS DOCUMENT PROPRIETARY TO TITAN AIRCRAFT, AND IS NOT TO BE USED, CIRCULATED, REPRODUCED, COPIED, OR DISCLOSED IN ANY MANNER WITHOUT PRIOR WRITTEN PERMISSION OF AN AUTHORIZED OFFICIAL OF TITAN AIRCRAFT.

TITAN AIRCRAFT SUPPLY
 1419 STATE ROUTE 45 SOUTH
 AUSTINBURG, OHIO 44010

DETAIL NAME		FORWARD THROTTLE HANDLE ASSEMBLY	
SCALE	N/A	PART NO.	N/A
ASSEMBLY NAME		TWO PLACE TORNADO	
PART NO.	N/A	DRAWING NO.	
DRAWING NO.		B 92-INS-0233-D	

DRAWN	J. PRESTON	DATE	8/4/92
CHECKED	R. INGLE	DATE	5/1/01
APPROVED	J. WILLIAMS	DATE	5/1/01