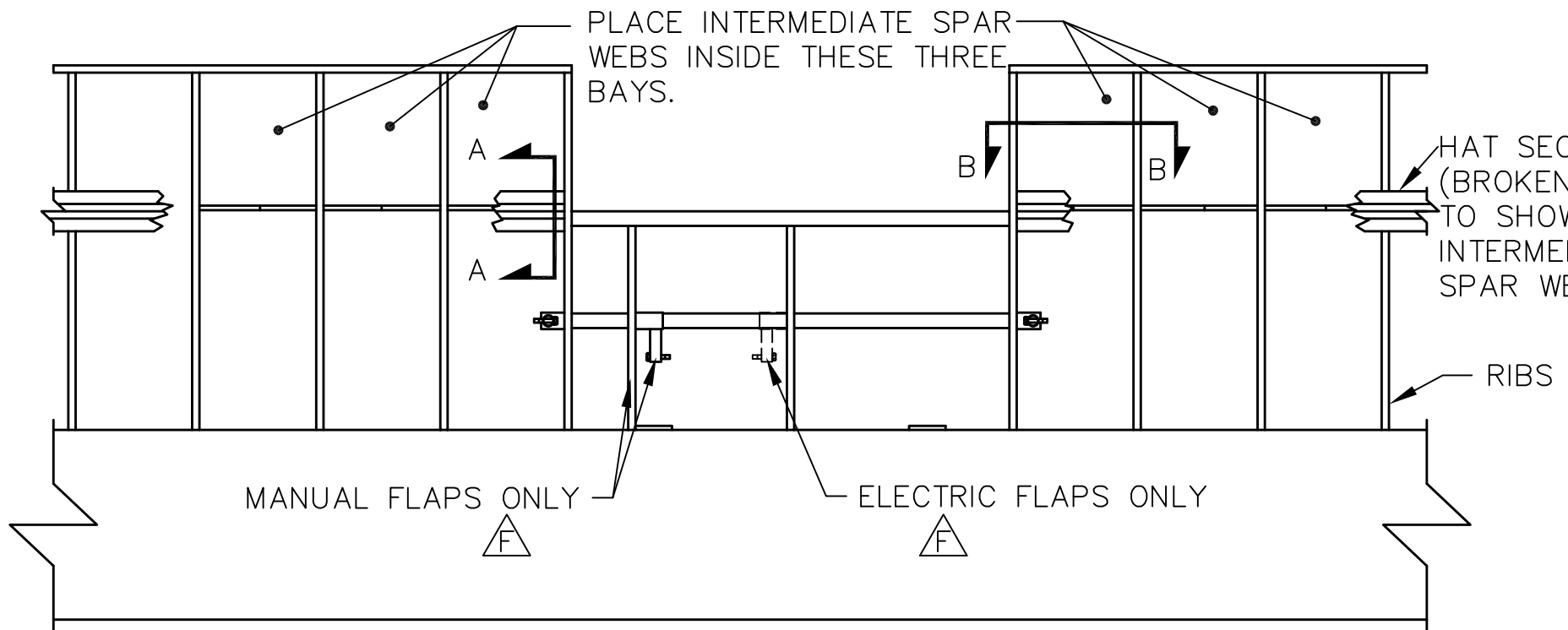
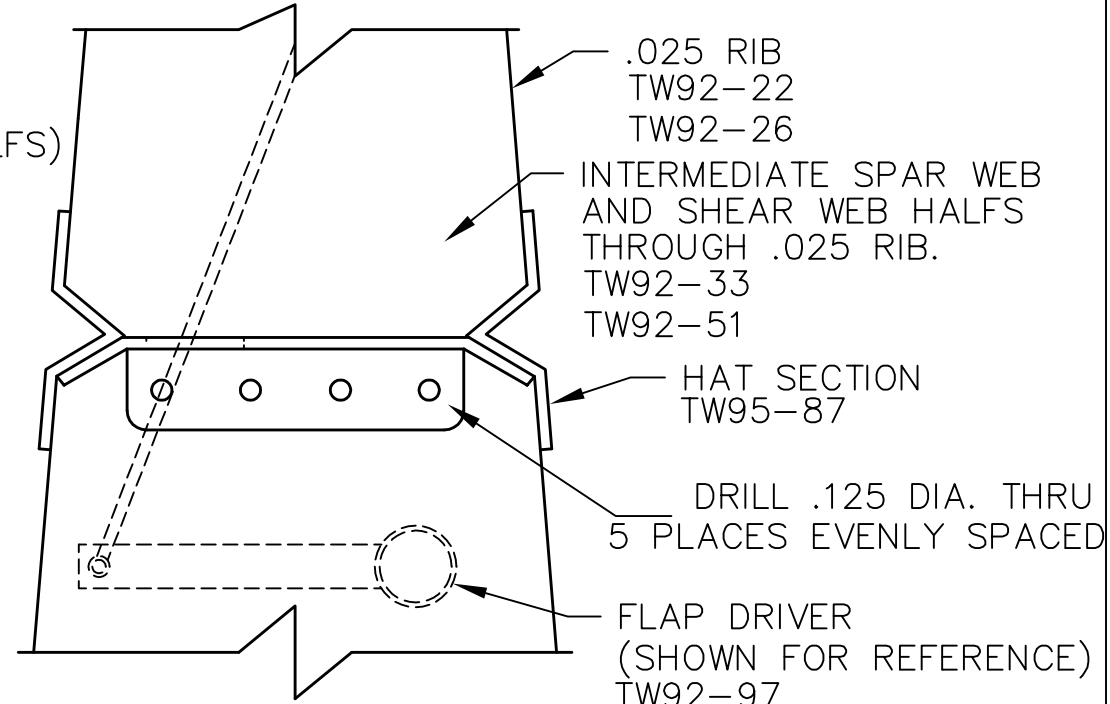


REVISIONS

E.C. NO.	REV.	DESCRIPTION	BY	DATE
1110	C	PRINT WAS FOR 23 1/2' WINGS	K.B.	6/97
1851	D	ADDED PART NUMBERS SEC. A-A	KL	3/01
2111	E	HIDDENLINES NOT CORRECTLY SHOWN	KL	1/03
2166	F	ADDED NOTES	CE	1/03

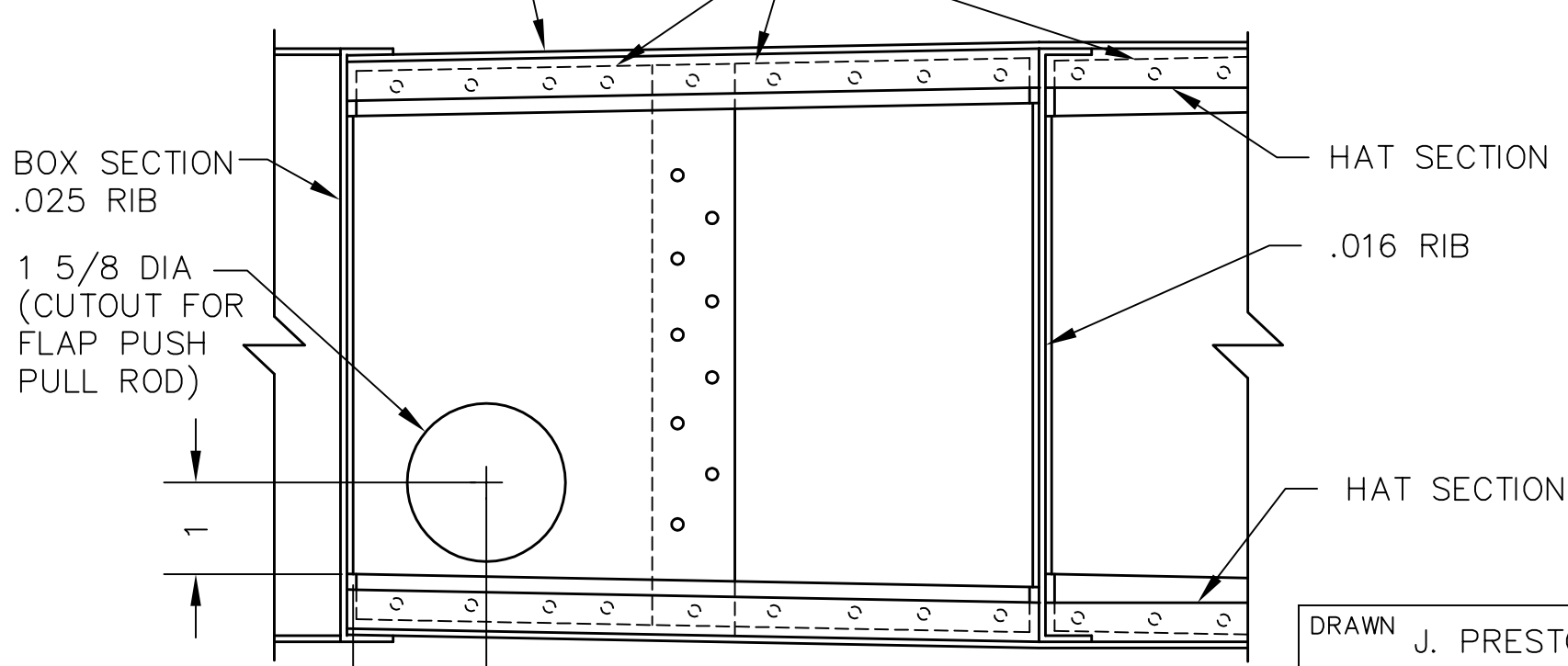


BOTTOM VIEW OF WING



SECTION A-A

TOP OF WING



SECTION B-B

NOTES:

- ALL DIMENSIONS ARE INCHES.
- TWO INTERMEDIATE SPAR WEB SECTIONS ARE TO BE LOCATED IN EACH BAY.
- POSITION SHEAR WEB HALFS ON THE REAR SIDE OF THE HAT SECTION, AS SHOWN IN 'SECTION A-A'.
- DRILL 1 5/8 DIA HOLE THRU THE LOWER INSIDE CORNER OF THE INTERMEDIATE SHEAR WEB, HALFS AS SHOWN IN 'SECTION B-B'. ONLY THE TWO INNERMOST WEBS NEED TO BE DRILLED.
- DRILL MOUNTING HOLES WITH #30 DRILL (.1285 DIA) AND RIVET WITH SD42BS RIVETS. (1/8 DIA X 17/64 LONG)

TITAN AIRCRAFT SUPPLY
 1419 STATE ROUTE 45 SOUTH
 AUSTINBURG, OHIO 44010

DETAIL NAME		INTERMEDIATE SPAR WEB INSTALLATION	
SCALE	N/A	PART NO.	
ASSEMBLY NAME		20' VNE, 23 1/2', AND 26' WINGS	
PART NO.		DRAWING NO.	
DRAWING NO.		B 92-INS-0232-F	

DRAWN	J. PRESTON	DATE	1/20/93
CHECKED	GAT	DATE	10/4/05
APPROVED	JW	DATE	10/5/05

THIS DOCUMENT PROPRIETARY TO TITAN AIRCRAFT, AND IS NOT TO BE USED, CIRCULATED, REPRODUCED, COPIED, OR DISCLOSED IN ANY MANNER WITHOUT PRIOR WRITTEN PERMISSION OF AN AUTHORIZED OFFICIAL OF TITAN AIRCRAFT.