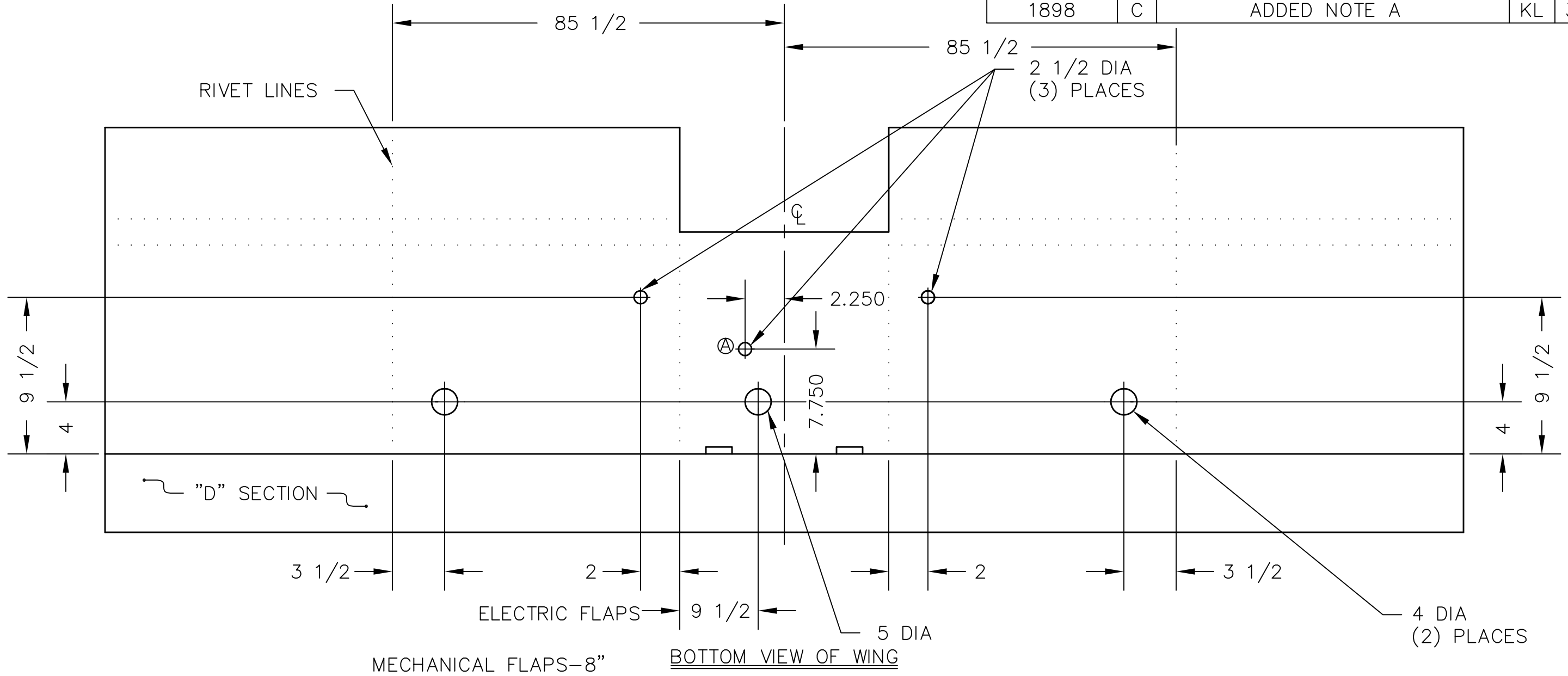


REVISIONS				
E.C. NO.	REV.	DESCRIPTION	BY	DATE
	A	DRAWING RELEASED	JP	12/92
1858	B	ADDED THIRD 2.5Ø HOLE	KL	3/01
1898	C	ADDED NOTE A	KL	3/01



NOTE:
 - ALL DIMENSIONS ARE INCHES.
 - THIS LINE TYPE:
 INDICATES THE LOCATION OF
 A RIVET LINE.
 - ⊕ FOR ELECTRIC FLAPS ONLY.

TITAN AIRCRAFT SUPPLY
 1419 STATE ROUTE 45 SOUTH
 AUSTINBURG, OHIO 44010

DETAIL NAME		INSPECTION HOLE LAYOUT	
SCALE	N/A	PART NO.	
ASSEMBLY NAME		23 1/2 FOOT WING	
PART NO.		DRAWING NO.	
DRAWING NO.		B 92-INS-0218-C	

DRAWN J. PRESTON	DATE 12/15/92
CHECKED R. INGLE	DATE 3/19/01
APPROVED J. WILLIAMS	DATE 3/19/01

THIS DOCUMENT PROPRIETARY TO TITAN AIRCRAFT. AND IS NOT TO BE USED, CIRCULATED, REPRODUCED, COPIED, OR DISCLOSED IN ANY MANNER WITHOUT PRIOR WRITTEN PERMISSION OF AN AUTHORIZED OFFICIAL OF TITAN AIRCRAFT.