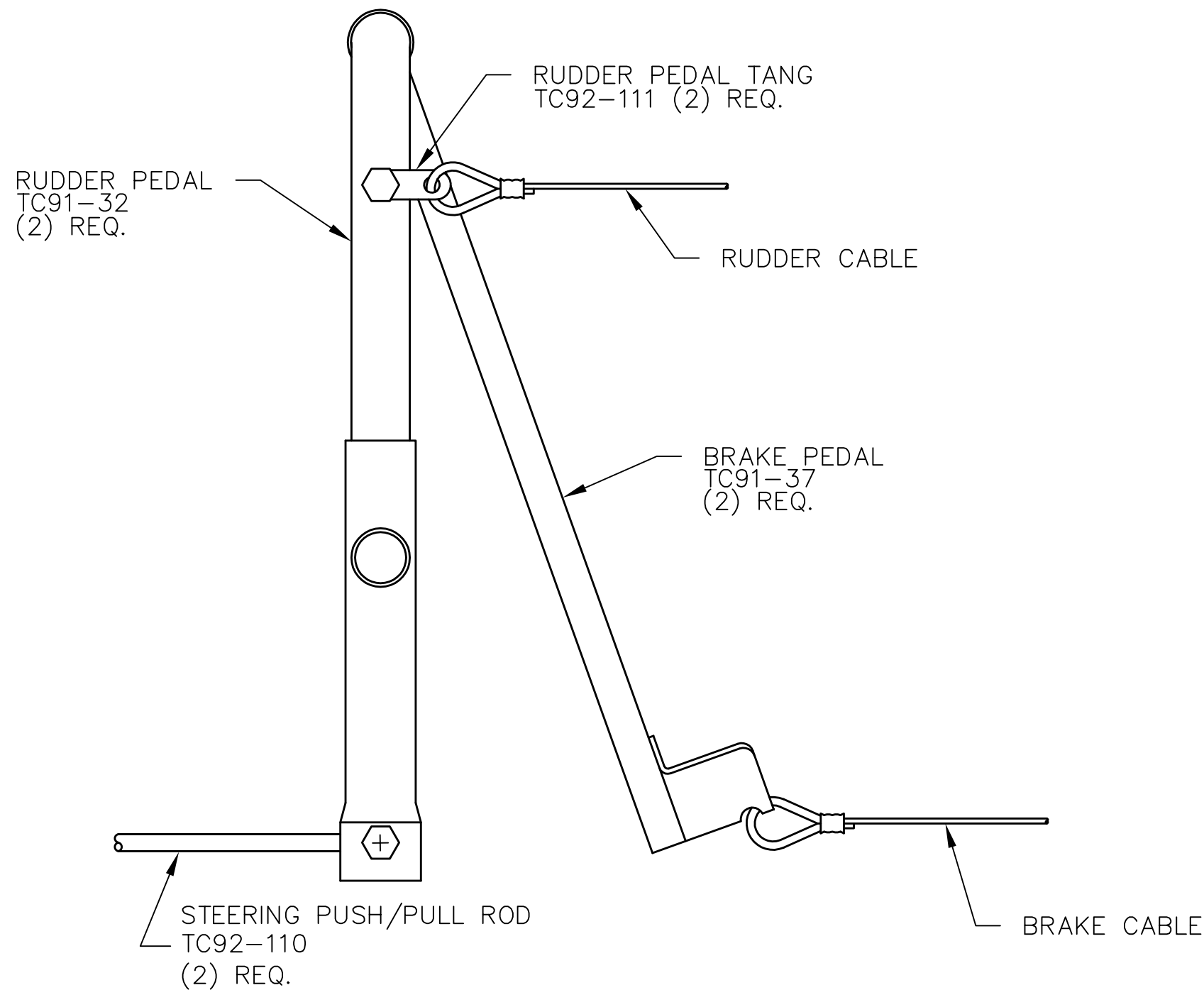



THIS DOCUMENT PROPRIETARY TO TITAN AIRCRAFT, AND IS NOT TO BE USED, CIRCULATED, REPRODUCED, COPIED, OR DISCLOSED IN ANY MANNER WITHOUT PRIOR WRITTEN PERMISSION OF AN AUTHORIZED OFFICIAL OF TITAN AIRCRAFT.



NOTES:

- MOUNT RUDDER PEDAL TANGS TO RUDDER PEDALS USING AN3-11A BOLTS AND AN365-1032 NUTS.
- CLAMP RUDDER PEDALS TOGETHER TO ASSURE THEY REMAIN IN THE NEUTRAL POSITION.
- CLAMP THE RUDDER TO THE VERTICAL STABILIZER TO ASSURE IT REMAINS IN THE NEUTRAL POSITION.
- ROUTE RUDDER CABLES THRU FUSELAGE AS SHOWN ON DRAWING B92-INS-0190.
- NICO PRESS RUDDER CABLES TO RUDDER CABLE TANG.

 TITAN AIRCRAFT SUPPLY 1419 STATE ROUTE 45 SOUTH AUSTINBURG, OHIO 44010			
DETAIL NAME		RUDDER CABLE INSTALLATION	
SCALE	N/A	PART NO.	N/A
ASSEMBLY NAME		SINGLE SEAT FUSELAGE ASSEMBLY	
PART NO.	N/A	DRAWING NO.	
DRAWING NO.		B 92-INS-0194-B	

DRAWN	J. PRESTON	DATE	5/13/92
CHECKED	R. INGLE	DATE	3/24/01
APPROVED	J. WILLIAMS	DATE	3/24/01