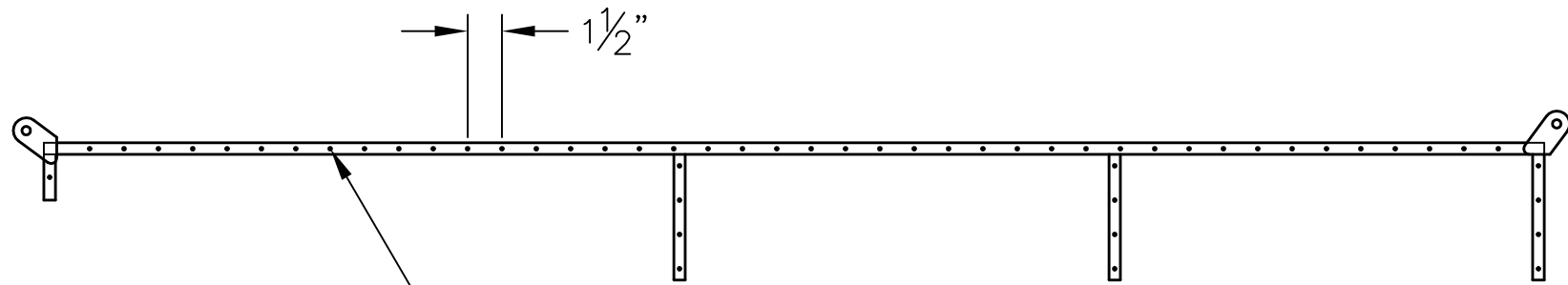


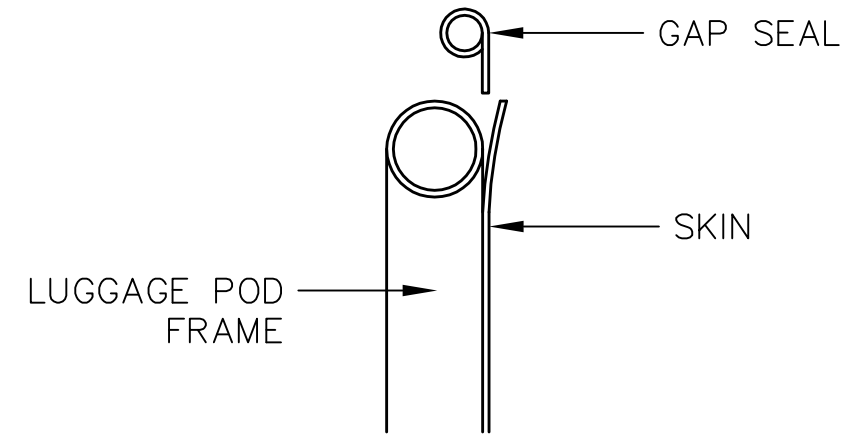
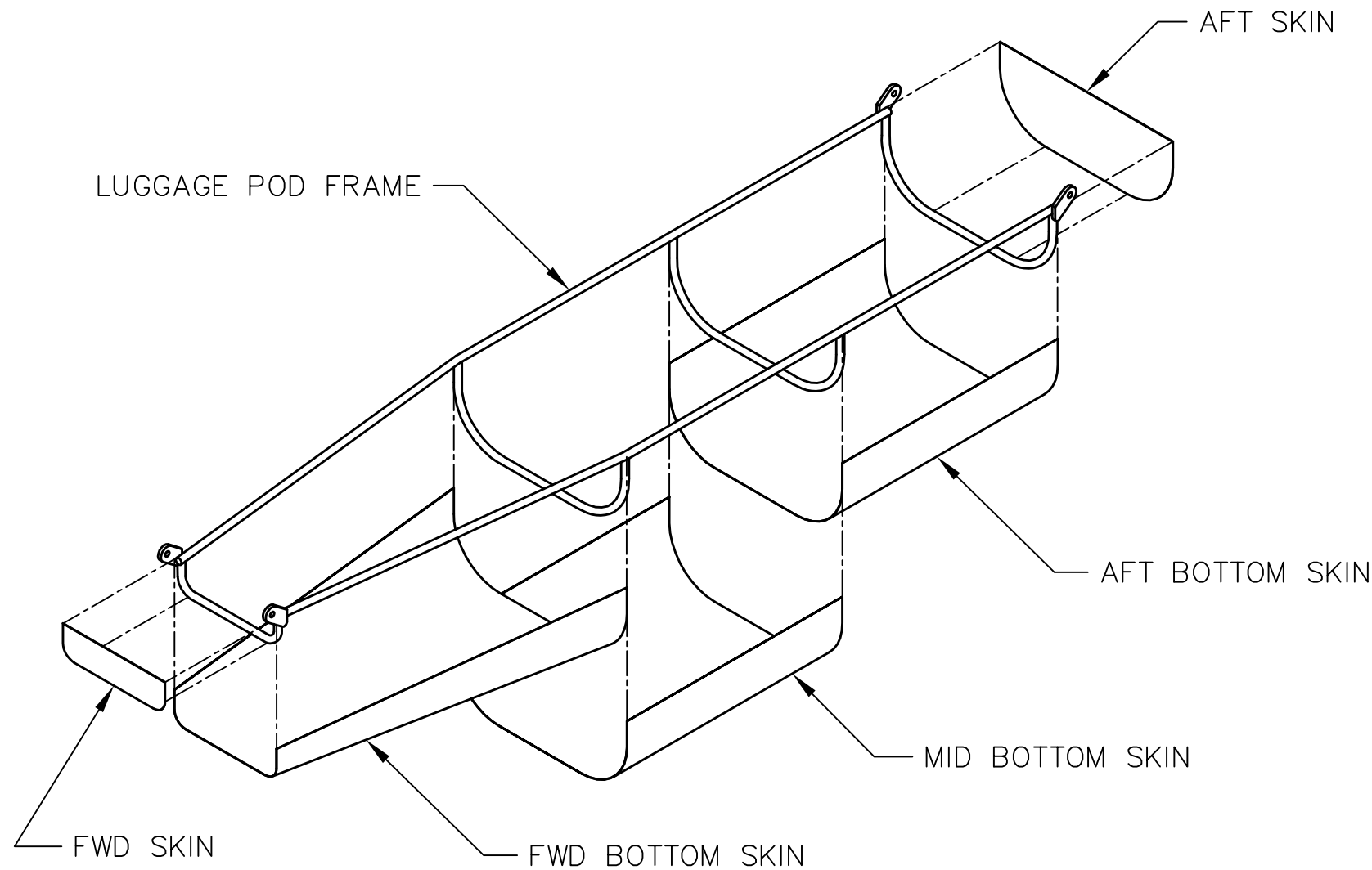
REVISIONS				
E.C. NO.	REV.	DESCRIPTION	BY	DATE
	A	DRAWING RELEASED	BH	1/10

NOTES:

- USE A #30 DRILL BIT TO DRILL RIVET HOLES 1½" APART IN THE LUGGAGE POD FRAME PRIOR TO INSTALLING IT ON THE AIRCRAFT.
- CLAMP THE SKINS IN PLACE. THEN USING A STRAP DUPLICATOR, FIND THE RIVET HOLES IN THE FRAME AND MATCH DRILL THE SKINS, CLECO AS YOU GO. YOU SHOULD START WITH THE AFT SKINS AND WORK FORWARD.
- MOUNT THE LUGGAGE POD TO THE BOTTOM OF THE AIRCRAFT WITH THE SKINS CLECO'ED IN PLACE.
- INSTALL THE GAP SEAL BY SLIDING THE TAIL END BETWEEN THE SKINS AND FRAME TUBES. IT SHOULD FIT SNUGLY BETWEEN THE LUGGAGE POD AND THE BOTTOM OF THE AIRCRAFT.
- WITH THE GAP SEAL IN PLACE, USE A DRILL TO CHASE THE RIVET HOLES THROUGH THE GAP SEAL TAIL. THEN RIVET THE SKINS AND GAP SEAL TO THE LUGGAGE POD FRAME.



#30 DRILL HOLES 1½ SPACING FOR RIVETS



TITAN AIRCRAFT SUPPLY
 1419 STATE ROUTE 45 SOUTH
 AUSTINBURG, OHIO 44010

DETAIL NAME		LUGGAGE POD INSTALLATION	
SCALE	N/A	PART NO.	
ASSEMBLY NAME			
PART NO.		DRAWING NO.	
DRAWING NO.		B 10-INS-1465-A	

DRAWN	B. HARE	DATE	1/13/10
CHECKED	J. WILLIAMS	DATE	2/26/10
APPROVED	J. WILLIAMS	DATE	3/30/10

THIS DOCUMENT PROPRIETARY TO TITAN AIRCRAFT, AND IS NOT TO BE USED, CIRCULATED, REPRODUCED, COPIED, OR DISCLOSED IN ANY MANNER WITHOUT PRIOR WRITTEN PERMISSION OF AN AUTHORIZED OFFICIAL OF TITAN AIRCRAFT.