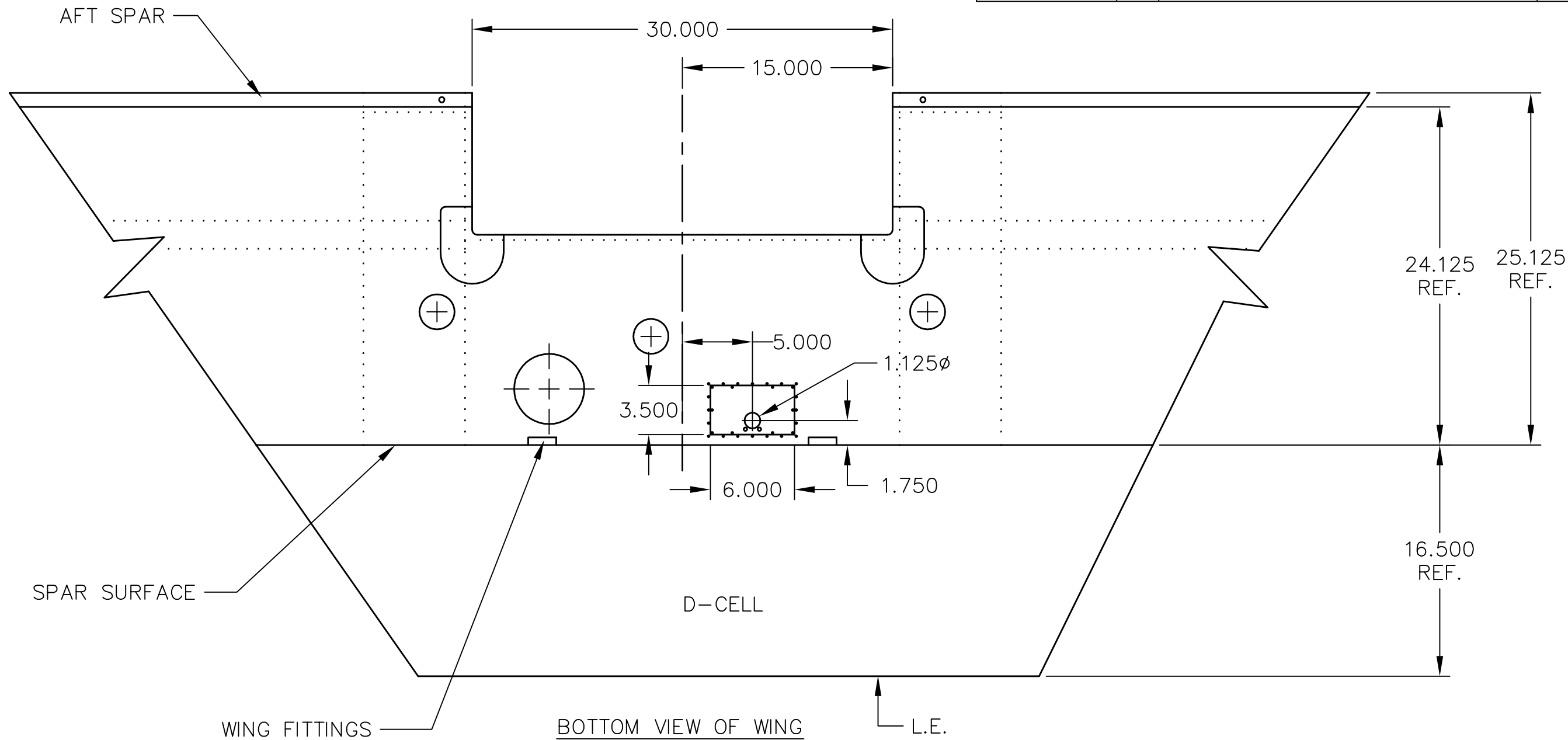


REVISIONS				
E.C. NO.	REV.	DESCRIPTION	BY	DATE
	A	DRAWING RELEASED	KL	6/01



THIS DOCUMENT PROPRIETARY TO TITAN AIRCRAFT, AND IS NOT TO BE USED, CIRCULATED, REPRODUCED, COPIED, OR DISCLOSED IN ANY MANNER WITHOUT PRIOR WRITTEN PERMISSION OF AN AUTHORIZED OFFICIAL OF TITAN AIRCRAFT.

TITAN AIRCRAFT SUPPLY
 1419 STATE ROUTE 45 SOUTH
 AUSTINBURG, OHIO 44010

DETAIL NAME		FUEL SELECTOR COVER LAYOUT	
SCALE	1/8"=1"	PART NO.	
ASSEMBLY NAME		ALL TORNADO WINGS	
PART NO.		DRAWING NO.	
DRAWING NO.		<i>B 01-INS-1235-A</i>	

DRAWN K. LIPLIN	DATE 6/7/01
CHECKED R. INGLE	DATE 7/18/01
APPROVED G. TRUEX	DATE 8/1/01