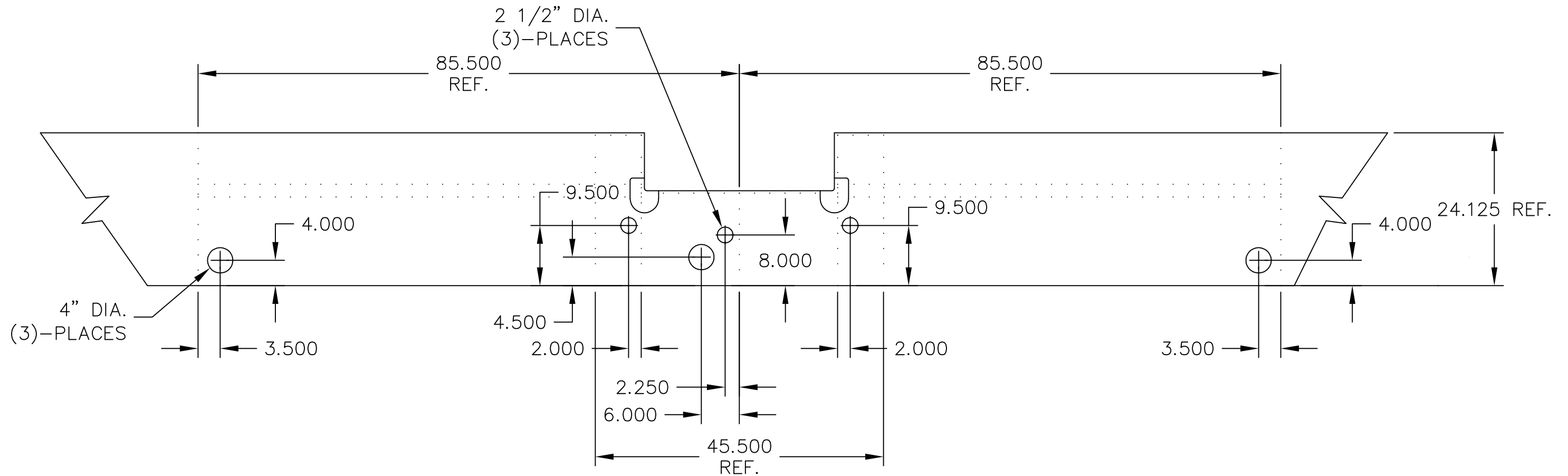


REVISIONS				
E.C. NO.	REV.	DESCRIPTION	BY	DATE
	A	DRAWING RELEASED	KL	6/01
2098	B	REMOVED FUEL INSPECTION HOLE	KL	12/02
2167	C	REMOVED 2 1/2" INSPECTION HOLE	CE	10/05



BOTTOM VIEW OF WING

NOTE:
 - ALL DIMENSIONS ARE IN INCHES.
 - THIS LINE TYPE:
 INDICATES THE LOCATION OF
 A RIVET LINE.


TITAN AIRCRAFT SUPPLY
 1419 STATE ROUTE 45 SOUTH
 AUSTINBURG, OHIO 44010

DETAIL NAME		INSPECTION HOLE LAYOUT	
DRAWN	DATE	SCALE	PART NO.
K. LIPLIN	6/5/01	1/16=1	
CHECKED	DATE	ASSEMBLY NAME	
G. TRUEX	10/4/05	23 1/2' WING (ALL TORNADOS)	
APPROVED	DATE	PART NO.	DRAWING NO.
J. WILLIAMS	10/5/05		B 01-INS-1229-C

THIS DOCUMENT PROPRIETARY TO TITAN AIRCRAFT. AND IS NOT TO BE USED, CIRCULATED, REPRODUCED, COPIED, OR DISCLOSED IN ANY MANNER WITHOUT PRIOR WRITTEN PERMISSION OF AN AUTHORIZED OFFICIAL OF TITAN AIRCRAFT.