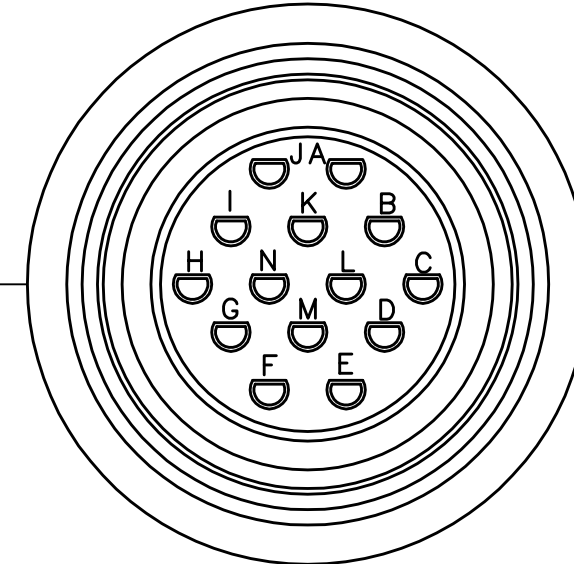
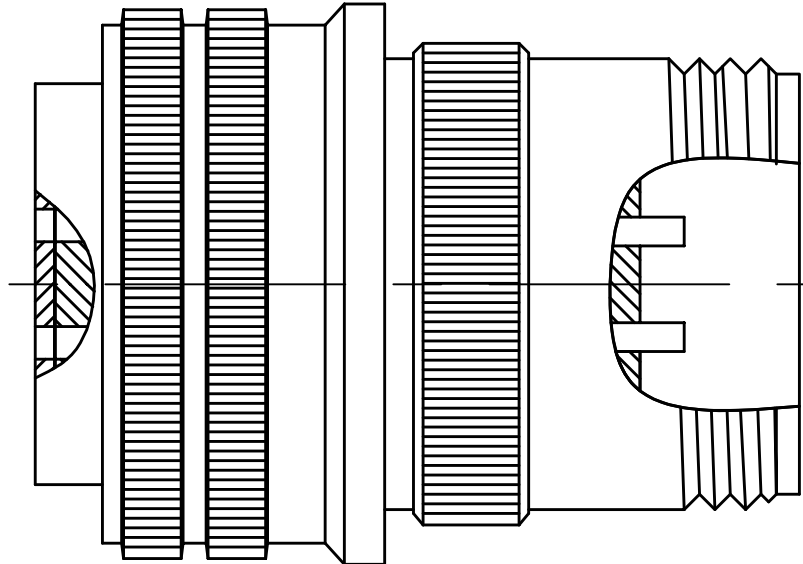
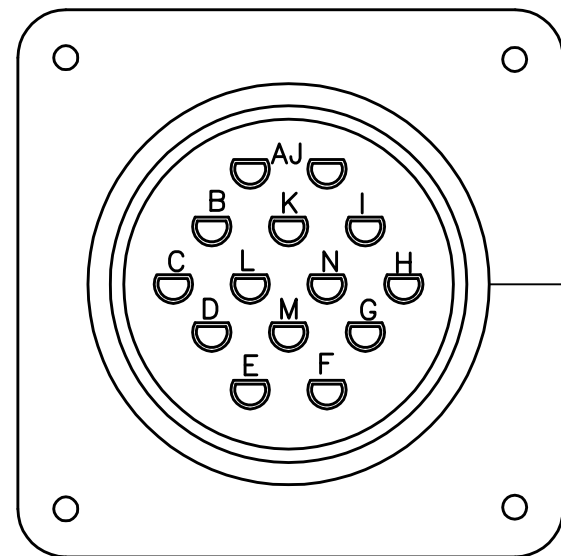
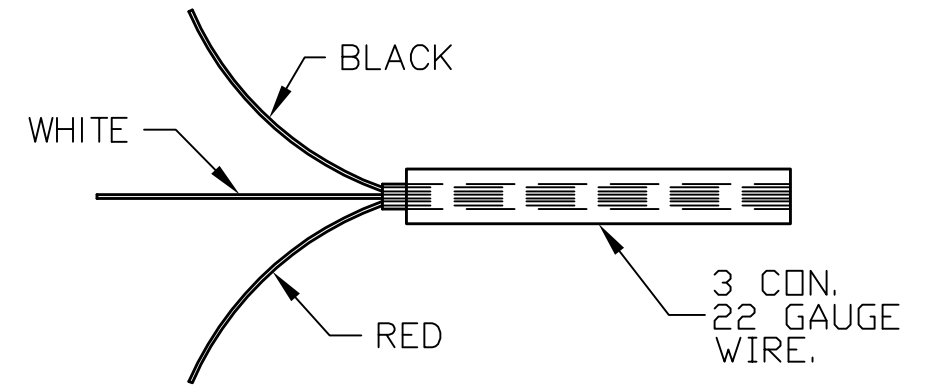


A	COMMON GROUND	BLACK-14 GAUGE
B	POS. LEFT & RIGHT LANDING LIGHT	RED-14 GAUGE
C	POS. LEFT & RIGHT NAV LIGHT	RED W/YELLOW STRIPE
D	STROBE W/POWER SUPPLY MOUNTED IN FUSELAGE - L	WHITE-3 CON. 22 GAUGE
E	STROBE W/POWER SUPPLY MOUNTED IN FUSELAGE - L	RED-3 CON 22 GAUGE
F	STROBE W/POWER SUPPLY MOUNTED IN FUSELAGE - R	RED-3 CON 22 GAUGE
G	STROBE W/POWER SUPPLY MOUNTED IN FUSELAGE - R	WHITE-3 CON 22 GAUGE
H	FLAP INDICATOR	YELLOW
I	FLAP NEGATIVE	BLACK-22 GAUGE
J	FLAP POSITIVE	RED-22 GAUGE
K	FLAP INDICATOR	BROWN
L	STROBE W/POWER SUPPLY MOUNTED IN FUSELAGE-L	BLACK-3 CON 22 GAUGE
M	STROBE W/POWER SUPPLY MOUNTED IN FUSELAGE-R	BLACK-3 CON 22 GAUGE
N	FLAP INDICATOR	BLUE


REVISIONS				
E.C. NO.	REV.	DESCRIPTION	BY	DATE
	A	DRAWING RELEASED	KL	11/00
1974	B	LETTERS SWITCHED	KL	6/01



BACK VIEW

- ALL DIMENSIONS IN INCHES
- APPLY STANDARD TOLERANCES:
0.0 = ±.050
0.00 = ±.030
0.000 = ±.005
ANGULAR = ±1°

MATERIAL	
DRAWN K. LIPLIN	DATE 11/8/00
CHECKED J. WILLIAMS	DATE 11/30/01
APPROVED G. TRUEX	DATE 11/30/01

		TITAN AIRCRAFT SUPPLY	
		1419 STATE ROUTE 45 SOUTH AUSTINBURG, OHIO 44010	
DETAIL NAME		A413 POWER SUPPLY	
SCALE	PART NO.	TE00-35	
ASSEMBLY NAME			
PART NO.		DRAWING NO.	
DRAWING NO.		B 00-INS-1064-B	

THIS DOCUMENT PROPRIETARY TO TITAN AIRCRAFT, AND IS NOT TO BE USED, CIRCULATED, REPRODUCED, COPIED, OR DISCLOSED IN ANY MANNER WITHOUT PRIOR WRITTEN PERMISSION OF AN AUTHORIZED OFFICIAL OF TITAN AIRCRAFT.