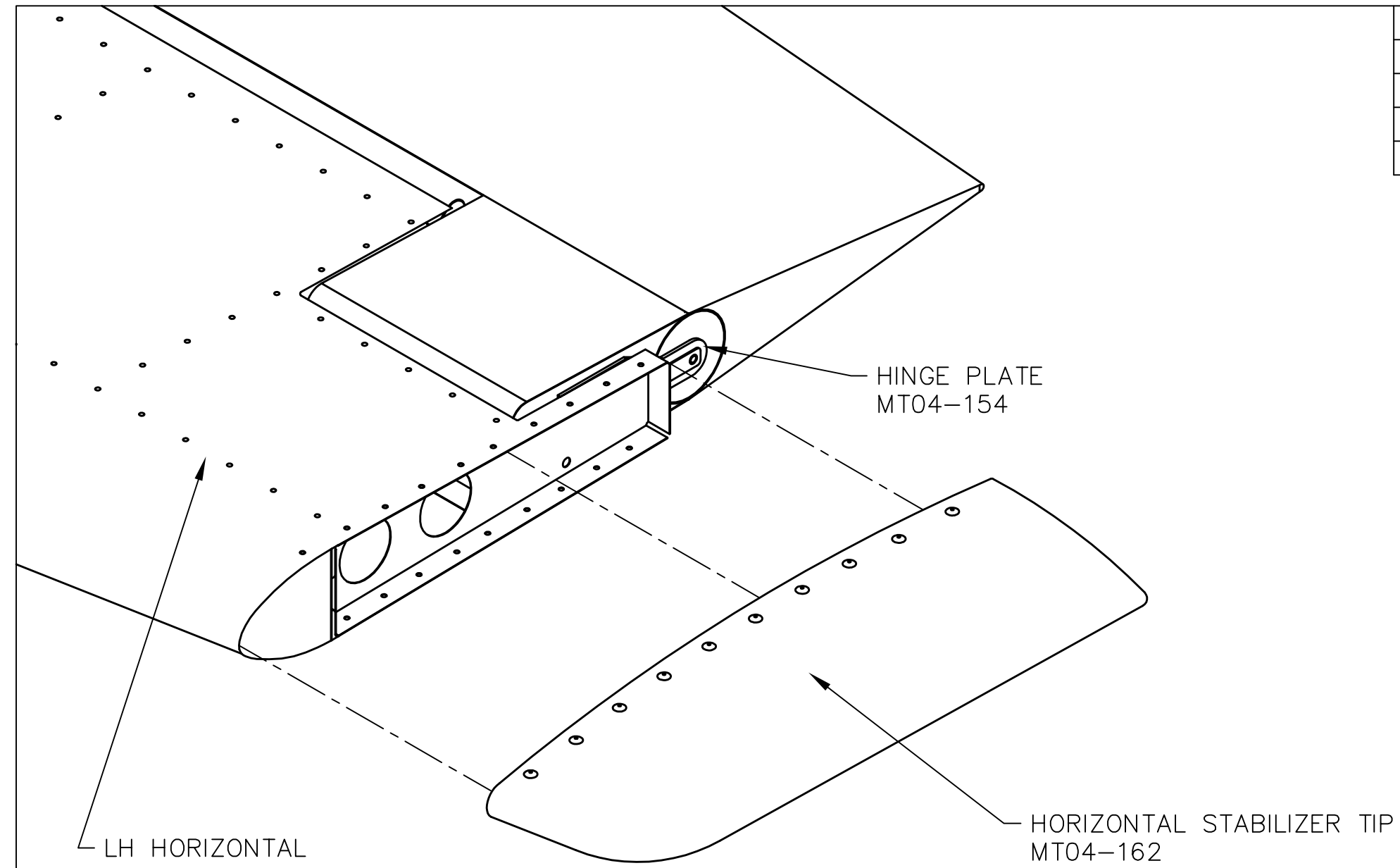


REVISIONS

E.C. NO.	REV.	DESCRIPTION	BY	DATE
	A	DRAWING RELEASED	SH	10/08
0780	B	RIVET QUANTITY ADDED	SH	10/08

NOTES:

- THE HORIZONTAL TIPS SHOULD SLIDE OVER THE HORIZONTALS W/ A SNUG FIT. SOME MATERIAL MAY NEED TO BE REMOVED FOR DESIRED FIT.
- THE AFT SIDE OF THE HORIZONTAL TIPS NEED SOME MATERIAL REMOVED TO CLEAR THE ELEVATOR HINGE PLATES (MT04-154).
- USE AD42ABSLF RIVETS TO ATTACH TIPS TO HORIZONTALS (20) REQUIRED PER SIDE.



LEFT SIDE SHOWN

THIS DOCUMENT PROPRIETARY TO TITAN AIRCRAFT, AND IS NOT TO BE USED, CIRCULATED, REPRODUCED, COPIED, OR DISCLOSED IN ANY MANNER WITHOUT PRIOR WRITTEN PERMISSION OF AN AUTHORIZED OFFICIAL OF TITAN AIRCRAFT.


TITAN AIRCRAFT SUPPLY
 1419 STATE ROUTE 45 SOUTH
 AUSTINBURG, OHIO 44010

MATERIAL		DETAIL NAME HORIZONTAL STABILIZER TIP INSTALLATION	
DRAWN S. HENDERSON	DATE 10/6/08	SCALE 1/4"=1"	PART NO.
CHECKED	DATE	ASSEMBLY NAME	
APPROVED	DATE	PART NO.	DRAWING NO.
		DRAWING NO. B T51-08-INS-1767-B	