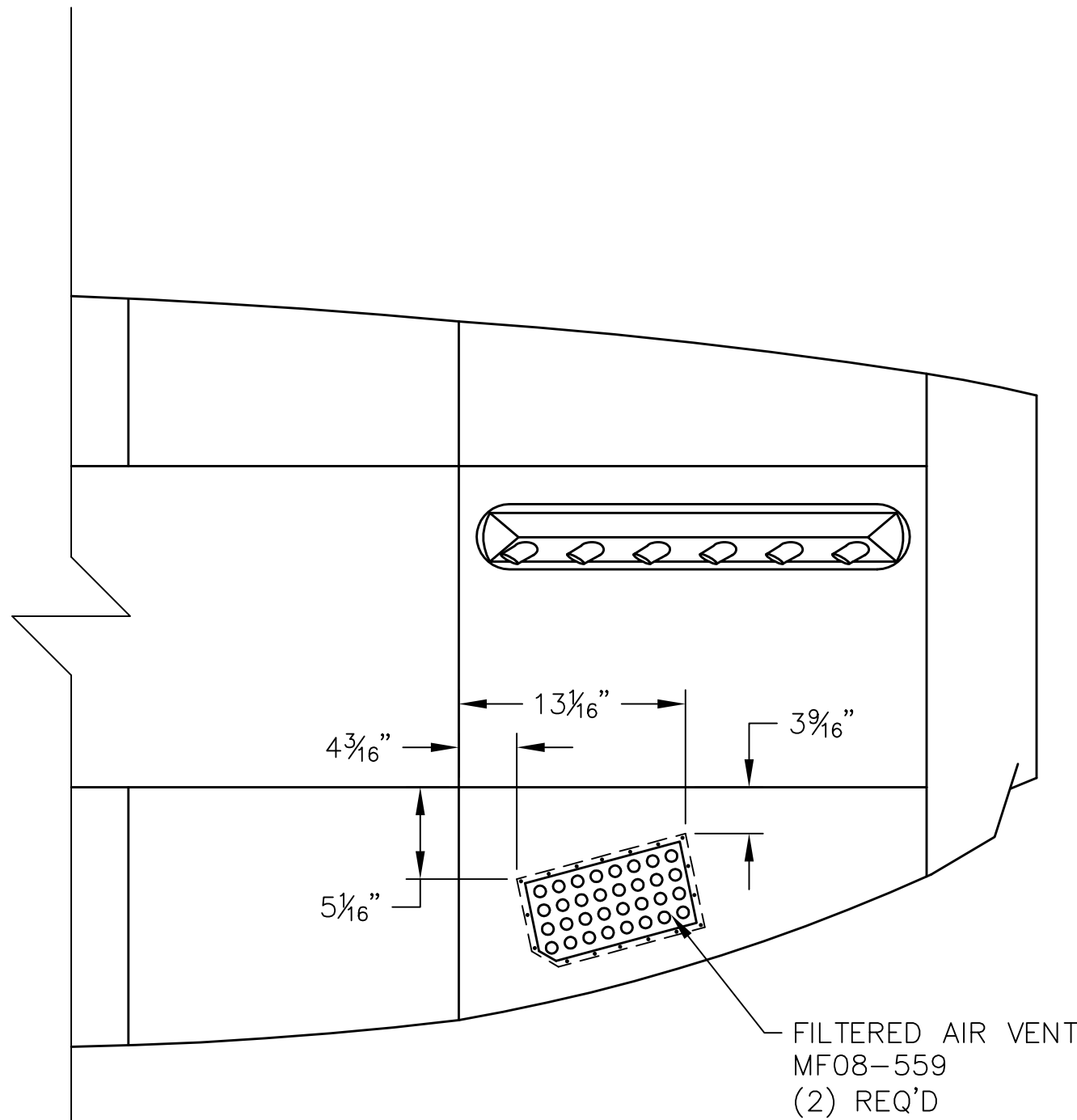


THIS DOCUMENT PROPRIETARY TO TITAN AIRCRAFT, AND IS NOT TO BE USED, CIRCULATED, REPRODUCED, COPIED, OR DISCLOSED IN ANY MANNER WITHOUT PRIOR WRITTEN PERMISSION OF AN AUTHORIZED OFFICIAL OF TITAN AIRCRAFT.



REVISIONS				
E.C. NO.	REV.	DESCRIPTION	BY	DATE
	A	DRAWING RELEASED	SH	8/08

**NOTES:**

- ALL DIMENSIONS ARE APPROXIMATE AND WERE TAKEN FROM EDGES WHERE SKINS BUTT TOGETHER, WHICH MAY VARY.
- MARK THE (2) CORNERS AS SHOWN ON THE LOWER SKINS. REMOVE SKINS AND MARK CUT-OUT FOR FILTERED AIR VENTS. WHEN SATISFIED REMOVE MATERIAL FROM SKIN.
- USE (17) SD32BS RIVETS PER SIDE.

	<p><b>TITAN AIRCRAFT SUPPLY</b>          1419 STATE ROUTE 45 SOUTH          AUSTINBURG, OHIO 44010</p>
---	--

DETAIL NAME FILTERED AIR VENT INSTALLATION

DRAWN S. HENDERSON	DATE 8/28/08	SCALE 1/8"=1"	PART NO.
CHECKED RI	DATE 10/21/08	ASSEMBLY NAME	
APPROVED KORY B.	DATE 11/17/08	PART NO.	DRAWING NO.
		DRAWING NO. <b>B T51-08-INS-1760-A</b>	