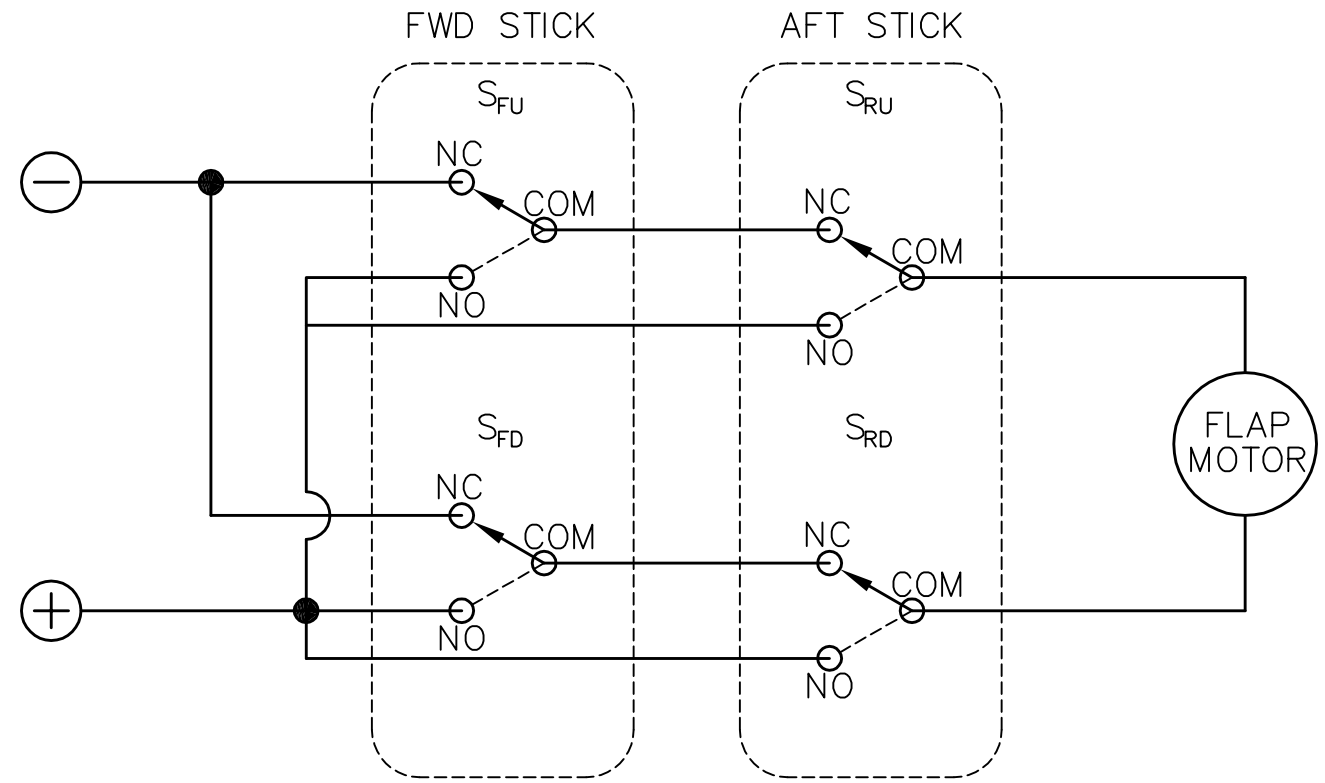


SWITCH DESIGNATIONS:  
 NC – NORMALLY CLOSED  
 NO – NORMALLY OPEN  
 COM – COMMON  
 S<sub>FU</sub> – SWITCH FRONT UP  
 S<sub>FD</sub> – SWITCH FRONT DOWN  
 S<sub>RU</sub> – SWITCH REAR UP  
 S<sub>RD</sub> – SWITCH REAR DOWN

REVISIONS				
E.C. NO.	REV.	DESCRIPTION	BY	DATE
	A	RELEASED DRAWING	SH	2/08



THIS DOCUMENT PROPRIETARY TO TITAN AIRCRAFT, AND IS NOT TO BE USED, CIRCULATED, REPRODUCED, COPIED, OR DISCLOSED IN ANY MANNER WITHOUT PRIOR WRITTEN PERMISSION OF AN AUTHORIZED OFFICIAL OF TITAN AIRCRAFT.

**TITAN AIRCRAFT SUPPLY**  
 1419 STATE ROUTE 45 SOUTH  
 AUSTINBURG, OHIO 44010

DRAWN S. HENDERSON		DATE 2/19/08	DETAIL NAME FLAP CIRCUIT FWD/AFT STICK	
CHECKED T. LONG		DATE 1/15/15	SCALE 1"=1"	PART NO.
APPROVED B. KOLENO		DATE 1/15/15	DRAWING NO. E10	
			DRAWING NO. <b>B T51-08-INS-1712-A</b>	