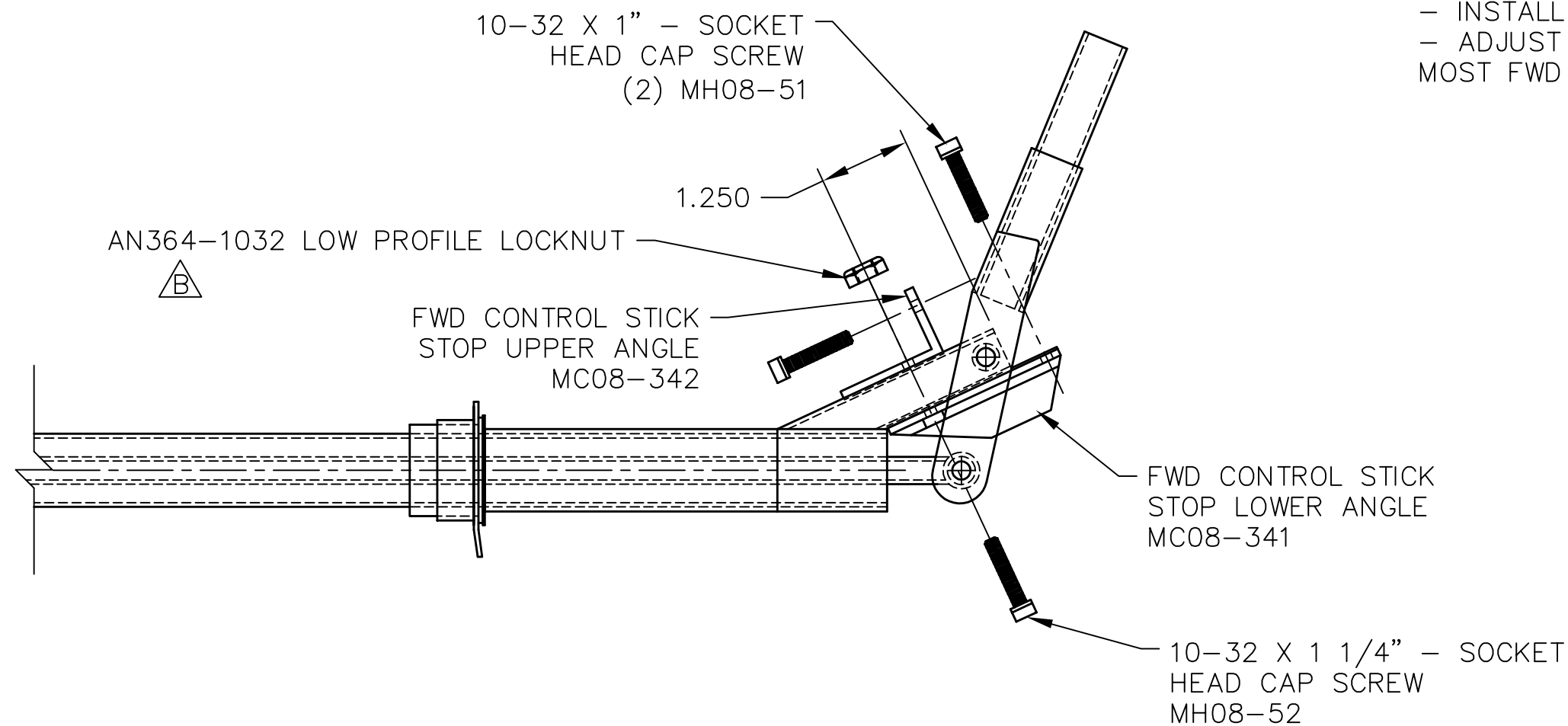


REVISIONS				
E.C. NO.	REV.	DESCRIPTION	BY	DATE
	A	RELEASED DRAWING	SH	1/08
0779	B	LOW-PRO LOCKNUT CORRECTED	SH	10/08

NOTES:

- FWD CONTROL STICK MAY NEED TO BE REMOVED DURING ASSEMBLY.
- MEASURE 1 1/4" BACK FROM THE TOP EDGE OF THE FWD CONTROL STICK MOUNT (AS SHOWN) & USE A #11 DRILL THROUGH THE TUBE.
- INSTALL PARTS AND HARDWARE AS SHOWN.
- ADJUST CONTROL STICK SO THE STOPS ARE AT THE MOST FWD & AFT POSITIONS.



THIS DOCUMENT PROPRIETARY TO TITAN AIRCRAFT, AND IS NOT TO BE USED, CIRCULATED, REPRODUCED, COPIED, OR DISCLOSED IN ANY MANNER WITHOUT PRIOR WRITTEN PERMISSION OF AN AUTHORIZED OFFICIAL OF TITAN AIRCRAFT.

UNLESS OTHERWISE SPECIFIED:
 - ALL DIMENSIONS ARE IN INCHES.
 - APPLY STANDARD TOLERANCES:
 0.00 = ±.030
 0.000 = ±.010
 ANGULAR ±1°
 - BREAK ALL SHARP CORNERS

MATERIAL	
DRAWN S. HENDERSON	DATE 1/25/08
CHECKED	DATE
APPROVED	DATE

 TITAN AIRCRAFT SUPPLY 1419 STATE ROUTE 45 SOUTH AUSTINBURG, OHIO 44010	
DETAIL NAME FWD CONTROL STICK STOP INSTALLATION	
SCALE 1"=1"	PART NO.
ASSEMBLY NAME 2007 & EARLIER MODELS	
PART NO.	DRAWING NO.
DRAWING NO. B T51-08-INS-1692-B	