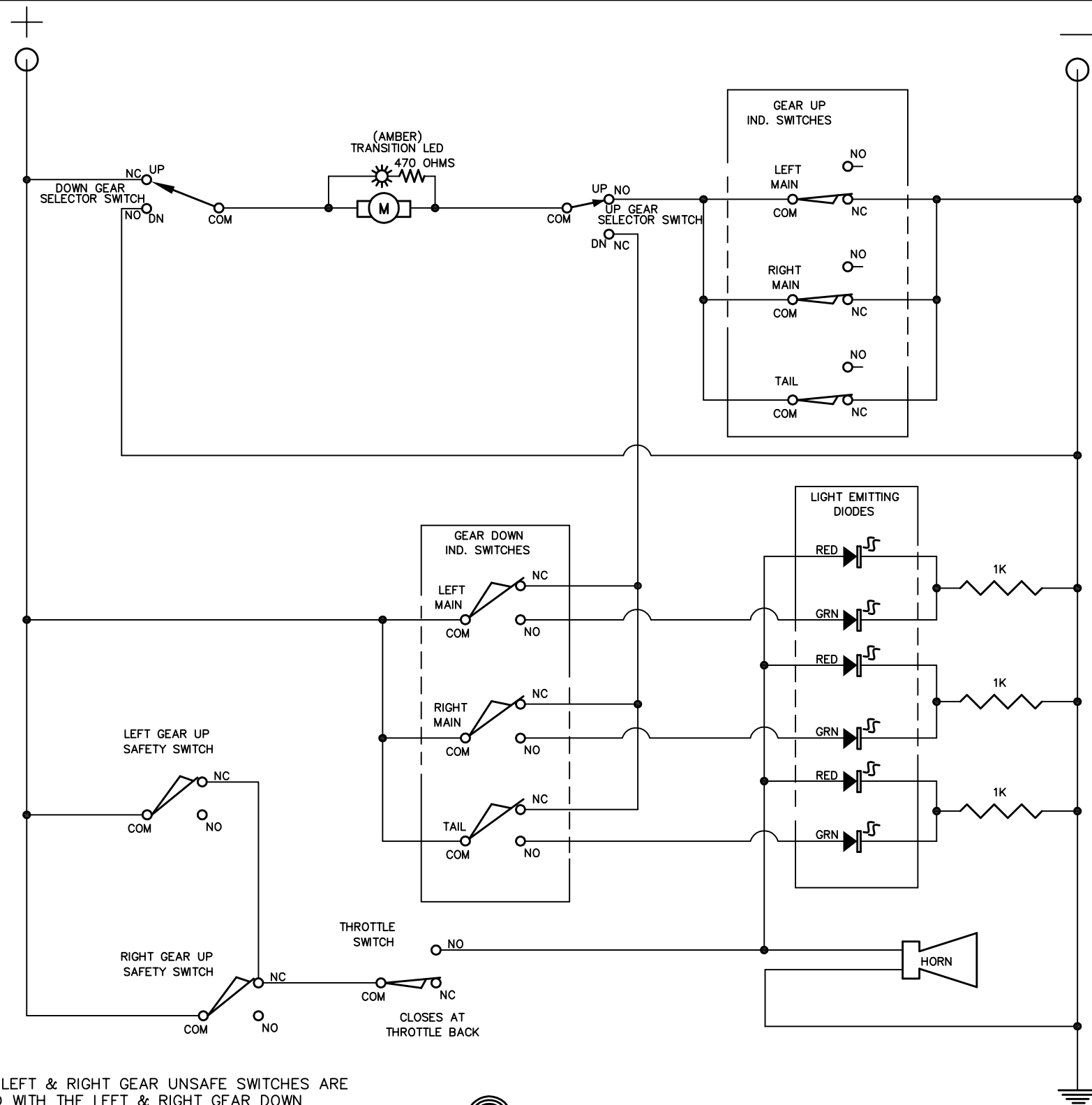
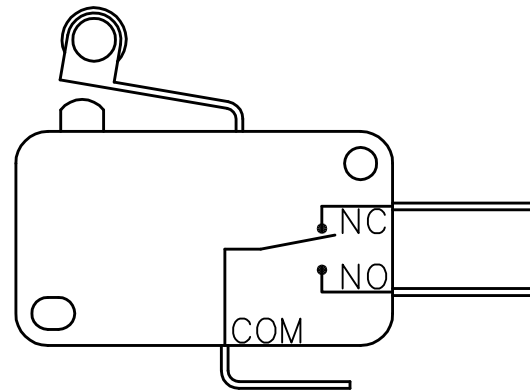


THIS DOCUMENT PROPRIETARY TO TITAN AIRCRAFT, AND IS NOT TO BE USED, CIRCULATED, REPRODUCED, COPIED, OR DISCLOSED IN ANY MANNER WITHOUT PRIOR WRITTEN PERMISSION OF AN AUTHORIZED OFFICIAL OF TITAN AIRCRAFT.



- ⚠** - THE LEFT & RIGHT GEAR UNSAFE SWITCHES ARE GANGED WITH THE LEFT & RIGHT GEAR DOWN SWITCHES RESPECTIVELY.  
 - OPERATION WHEN THE GEAR IS UP & THROTTLE IS PULLED BACK, THE HORN WILL SOUND & THE RED LED'S WILL LIGHT.  
 - WHEN THE GEAR IS DOWN & LOCKED POWER IS REMOVED FROM THE THROTTLE SWITCH & NO POWER IS APPLIED TO EITHER THE HORN OR THE RED LED'S.

NC - NORMALLY CLOSED  
 NO - NORMALLY OPEN  
 COM - COMMON

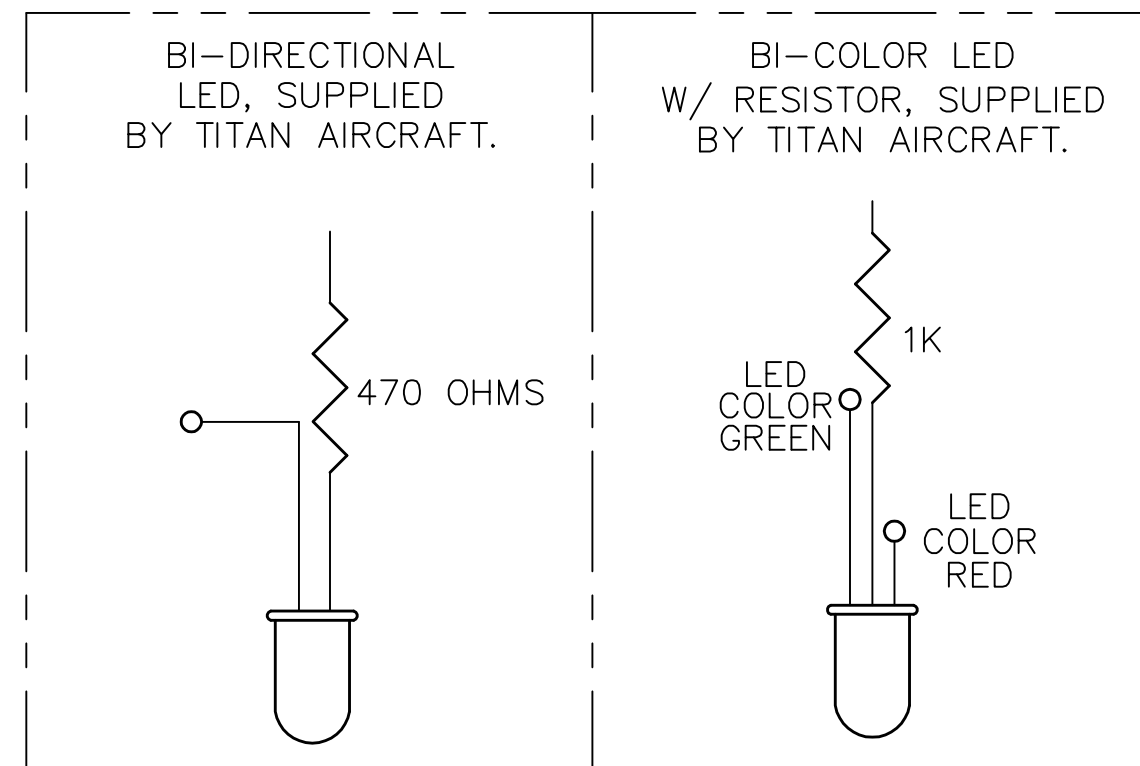


### REVISIONS

| E.C. NO. | REV. | DESCRIPTION          | BY | DATE |
|----------|------|----------------------|----|------|
|          | A    | DRAWING RELEASED     | SH | 8/07 |
| 0632     | B    | DIAGRAM RECONFIGURED | SH | 2/08 |
| 0688     | C    | NOTE CHANGED         | SH | 5/08 |
| 0985     | D    | CLARIFY WIRES        | BH | 9/09 |

**NOTE:**

- SCHEMATIC SHOWN WITH GEAR IN UP TRANSITION.
- NORMALLY OPEN CONTACTS ON THE LANDING GEAR UP SWITCHES AND SAFETY SWITCHES, NOT USED. ONLY TWO WIRES ARE CONNECTED TO THESE SWITCHES.
- GEAR WARNING HORN IS NOT SUPPLIED BY TITAN. THEY CAN BE PURCHASED AT RADIO SHACK; P/N 273-068, 80dB PIEZO PULSE BUZZER OR EQUIVALENT.
- ALL WIRES EXCEPT THOSE GOING TO THE SAFETY SWITCHES, THROTTLE SWITCH, GEAR WARNING HORN, AND THE LIGHT EMITTING DIODES ARE #14 AWG (2,5MM<sup>2</sup>)
- WIRES FOR SAFETY SWITCHES, THROTTLE SWITCH, GEAR WARNING HORN, AND LIGHT EMITTING DIODES CAN BE AS SMALL AS #20 AWG (0,5MM<sup>2</sup>)



**TITAN AIRCRAFT SUPPLY**  
 1419 STATE ROUTE 45 SOUTH  
 AUSTINBURG, OHIO 44010

| MATERIAL             |                 | DETAIL NAME LANDING GEAR ELECTRICAL SCHEMATIC - SIMPLIFIED |                |
|----------------------|-----------------|--|----------------|
| DRAWN<br>B. HARE     | DATE<br>9/21/09 | SCALE  | PART NO.       |
| CHECKED<br>T. LONG   | DATE<br>9/22/09 | ASSEMBLY NAME SYSTEMS USING THE PARKER HYDRA. PUMP         |                |
| APPROVED<br>J. SUTCH | DATE<br>9/22/09 | PART NO.   | DRAWING NO. E2 |
|                      |                 | DRAWING NO. <b>B T51-07-INS-1650-D</b>                     |                |