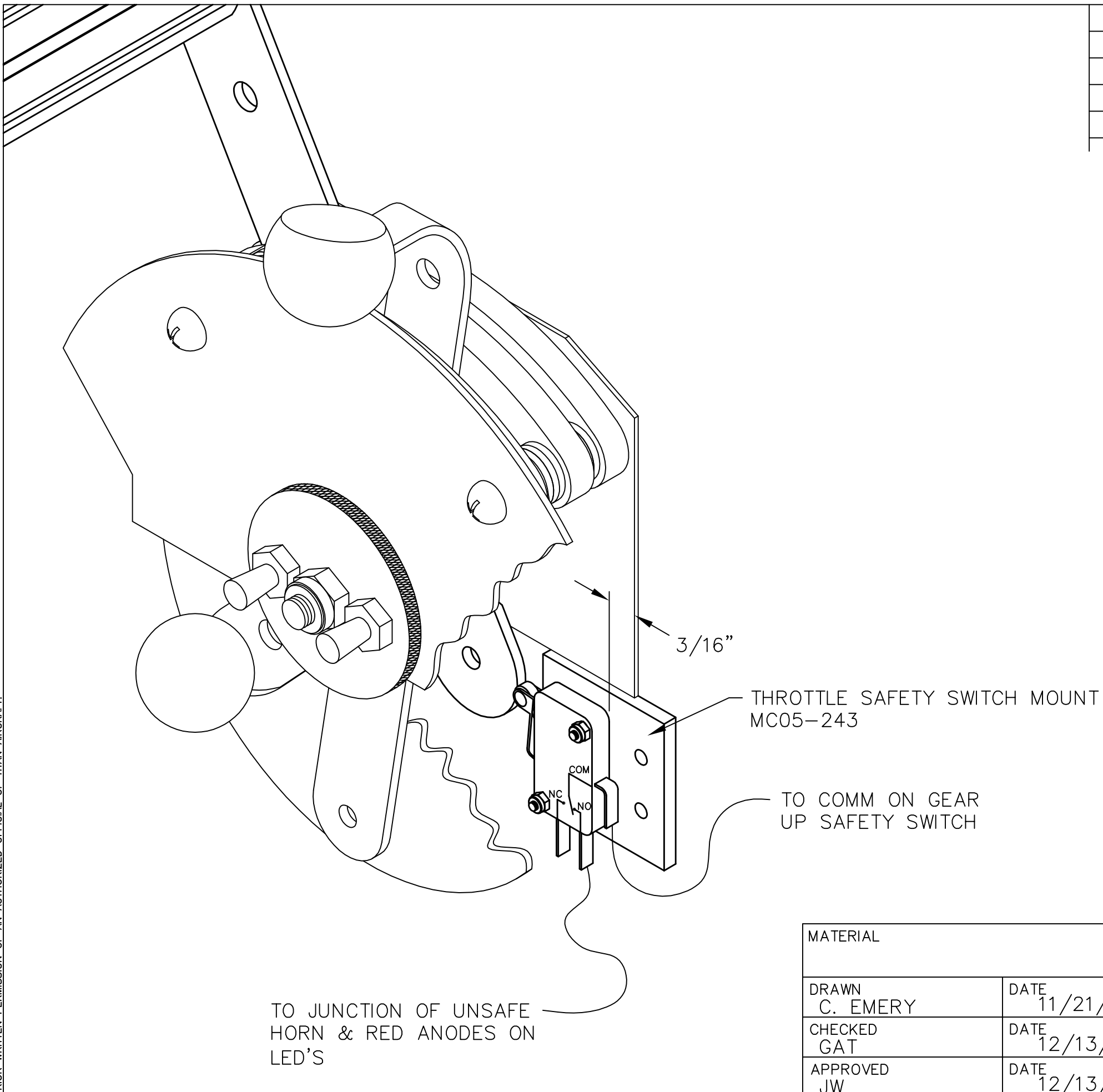



REVISIONS

E.C. NO.	REV.	DESCRIPTION	BY	DATE
	A	DRAWING RELEASED	CE	11/05



THIS DOCUMENT PROPRIETARY TO TITAN AIRCRAFT, AND IS NOT TO BE USED, CIRCULATED, REPRODUCED, COPIED, OR DISCLOSED IN ANY MANNER WITHOUT PRIOR WRITTEN PERMISSION OF AN AUTHORIZED OFFICIAL OF TITAN AIRCRAFT.

 TITAN AIRCRAFT SUPPLY 1419 STATE ROUTE 45 SOUTH AUSTINBURG, OHIO 44010							
		DETAIL NAME	THROTTLE QUADRANT MICRO SWITCH				
DRAWN	C. EMERY	DATE	11/21/05	SCALE	1"=1"	PART NO.	
CHECKED	GAT	DATE	12/13/05	ASSEMBLY NAME			
APPROVED	JW	DATE	12/13/05	PART NO.		DRAWING NO.	
				DRAWING NO.	<i>B T51-05-INS-1291-A</i>		

MATERIAL	
DRAWN	C. EMERY
CHECKED	GAT
APPROVED	JW
DATE	11/21/05
DATE	12/13/05
DATE	12/13/05