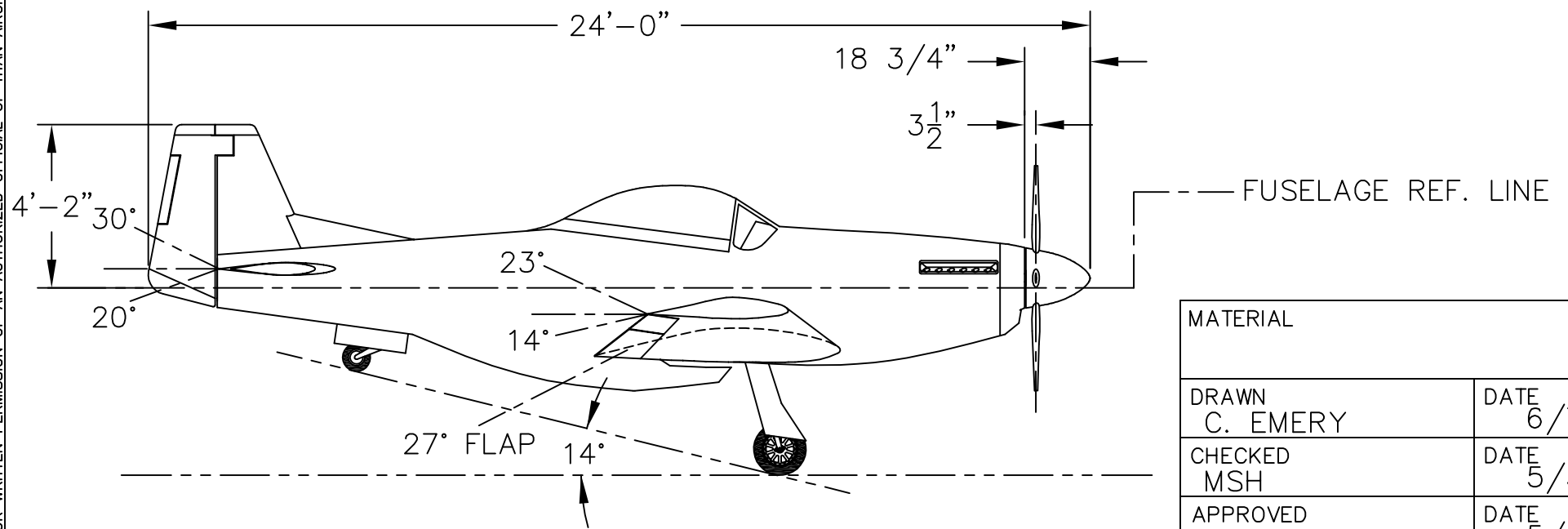
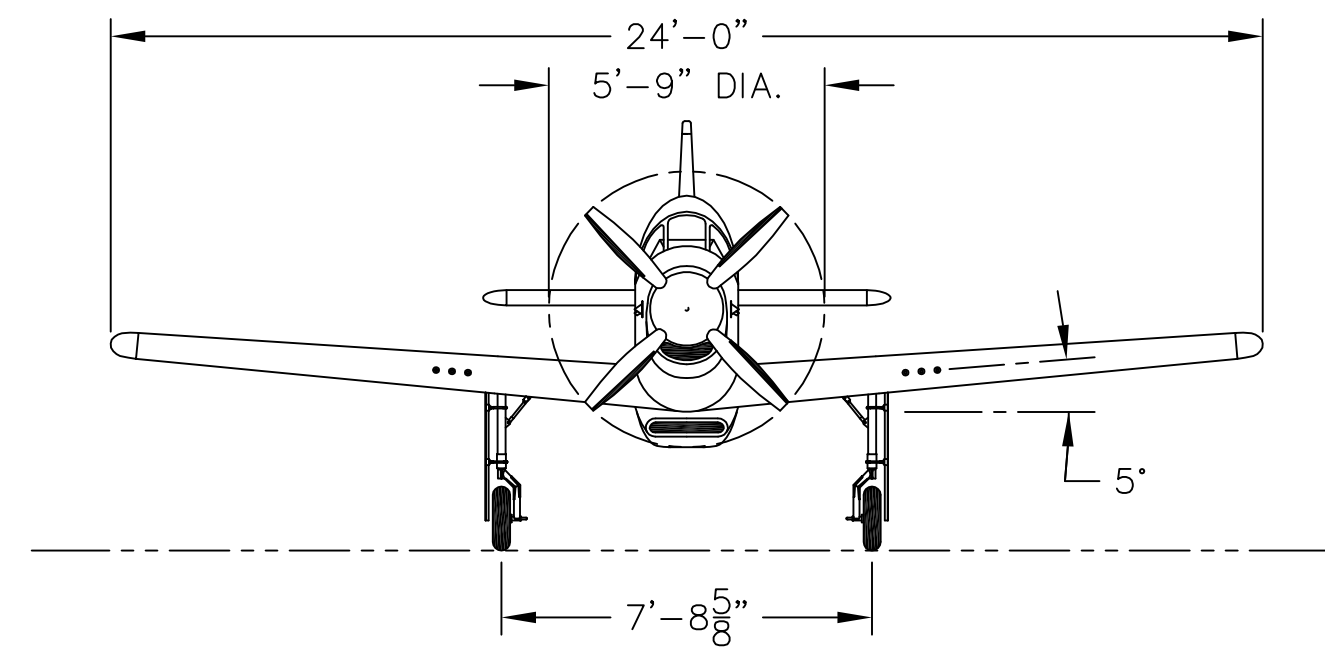
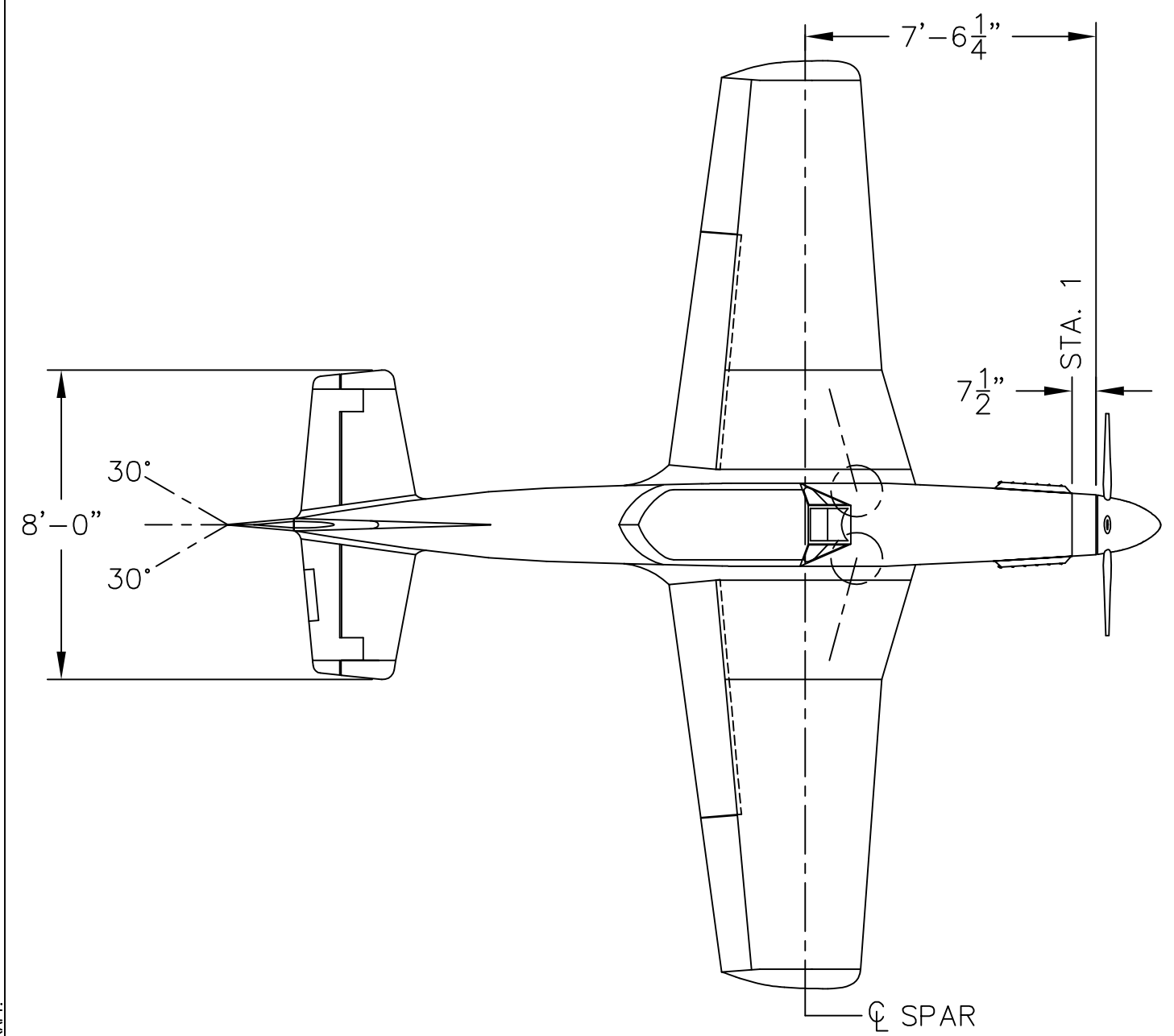


REVISIONS

E.C. NO.	REV.	DESCRIPTION	BY	DATE
	A	DRAWING RELEASED	CE	6/05



THIS DOCUMENT PROPRIETARY TO TITAN AIRCRAFT, AND IS NOT TO BE USED, CIRCULATED, REPRODUCED, COPIED, OR DISCLOSED IN ANY MANNER WITHOUT PRIOR WRITTEN PERMISSION OF AN AUTHORIZED OFFICIAL OF TITAN AIRCRAFT.

MATERIAL	
DRAWN C. EMERY	DATE 6/7/05
CHECKED MSH	DATE 5/3/07
APPROVED JW	DATE 5/3/07

**TITAN AIRCRAFT SUPPLY**  
 1419 STATE ROUTE 45 SOUTH  
 AUSTINBURG, OHIO 44010

DETAIL NAME: ORTHOGRAPHIC VIEW  
 SCALE: 1/48"=1" PART NO.  
 ASSEMBLY NAME: T-51 MUSTANG  
 PART NO. DRAWING NO.  
 DRAWING NO. **B T51-05-INS-1148-A**