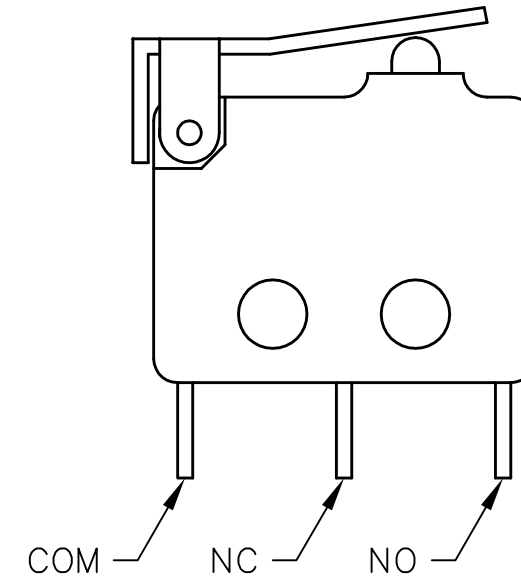
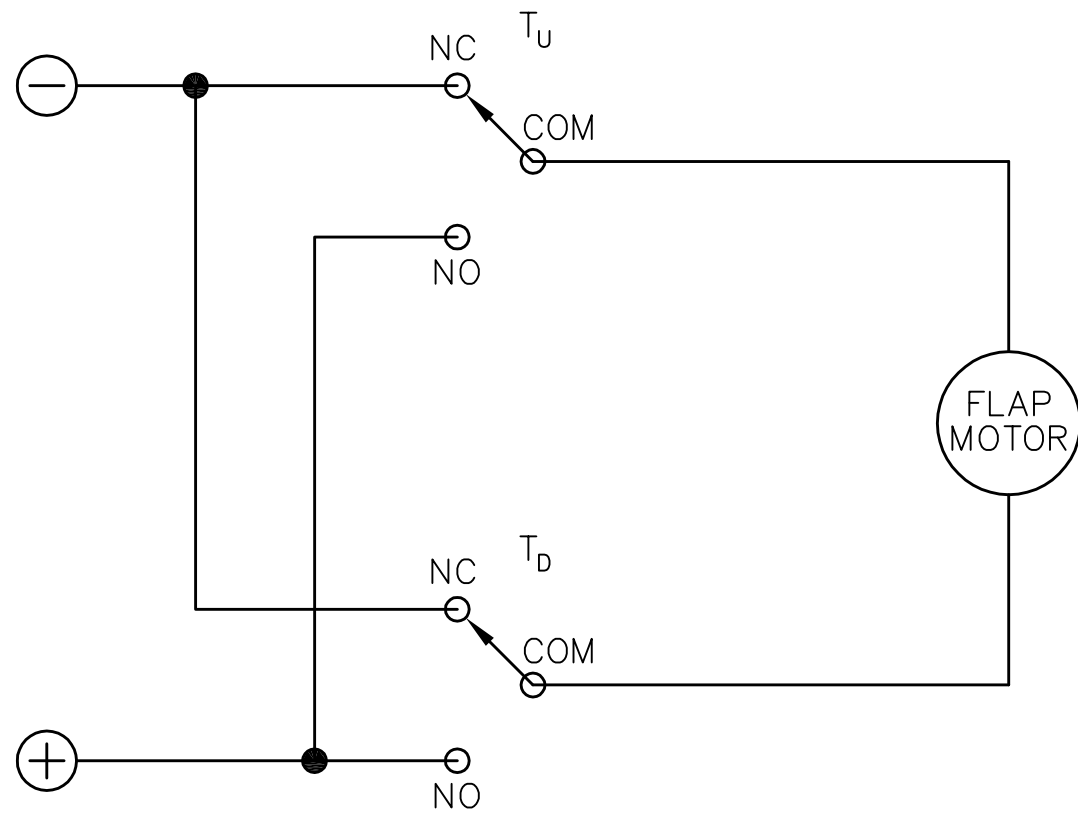


SWITCH DESIGNATIONS:
 NC – NORMALLY CLOSED
 NO – NORMALLY OPEN
 COM – COMMON
 T_U – TOP PUSH BUTTON UP
 B_D – BOTTOM PUSH BUTTON DOWN

REVISIONS				
E.C. NO.	REV.	DESCRIPTION	BY	DATE
	A	RELEASED DRAWING	CE	2/05
0137	B	CORRECTED SWITCH TERMINALS	CE	3/05
1177	C	SWAPPED + AND - SYMBOLS	BH	1/15



THIS DOCUMENT PROPRIETARY TO TITAN AIRCRAFT, AND IS NOT TO BE USED, CIRCULATED, REPRODUCED, COPIED, OR DISCLOSED IN ANY MANNER WITHOUT PRIOR WRITTEN PERMISSION OF AN AUTHORIZED OFFICIAL OF TITAN AIRCRAFT.


TITAN AIRCRAFT SUPPLY
 1419 STATE ROUTE 45 SOUTH
 AUSTINBURG, OHIO 44010

DRAWN C. EMERY		DATE 2/1/05	DETAIL NAME FLAP CIRCUIT	
CHECKED T. LONG		DATE 1/16/15	SCALE N/A	PART NO.
APPROVED B. KOLENO		DATE 1/16/15	ASSEMBLY NAME	
			PART NO.	DRAWING NO. E9
			DRAWING NO. B T51-05-INS-1134-C	