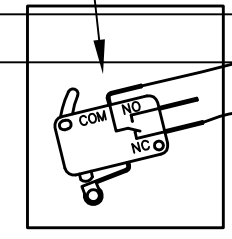
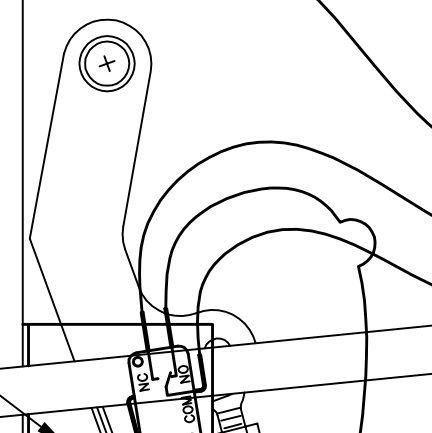


UP SWITCH



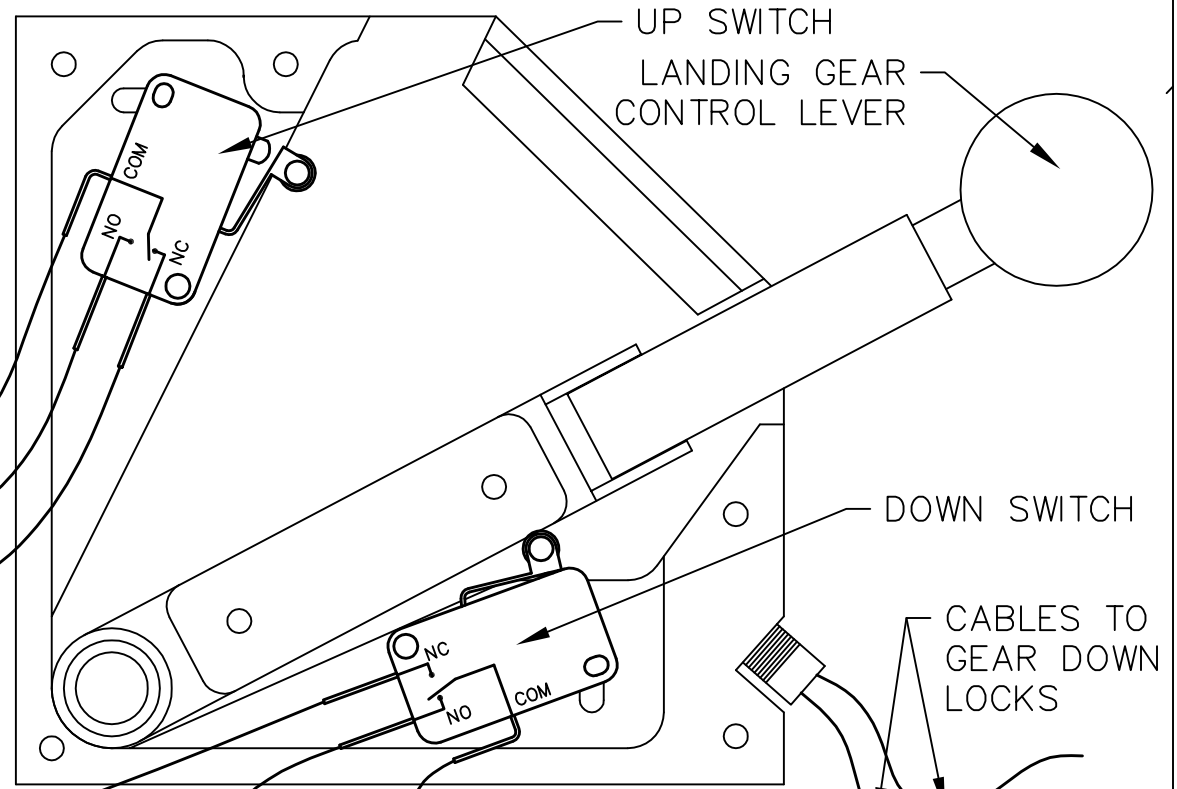
DOWN SWITCH



**NOTE:**  
 -ALL WIRES EXCEPT THOSE GOING TO THE SAFETY SWITCHES, THROTTLE SWITCH, GEAR WARNING HORN, AND THE LIGHT EMITTING DIODES ARE #14 AWG (2,5MM<sup>2</sup>)  
 -WIRES FOR SAFETY SWITCHES, THROTTLE SWITCH, GEAR WARNING HORN, AND LIGHT EMITTING DIODES CAN BE AS SMALL AS #20 AWG (0,5MM<sup>2</sup>)  
 -WIRE COLOR IS NOT IMPORTANT AND IS AT THE BUILDERS DISCRETION. IT IS IMPORTANT, HOWEVER, TO ENSURE THE USE OF THE PROPER GAUGE OF WIRE. WE RECOMMEND LABELING BOTH ENDS OF EACH WIRE TO MAKE ANY FUTURE TROUBLESHOOTING OR CORRECTIVE MAINTENANCE EASIER.

SEE DRAWING T51-04-INS-1114

REVISIONS				
E.C. NO.	REV.	DESCRIPTION	BY	DATE
	A	RELEASED DRAWING	CE	10/04
0933	B	UPDATED DRAWING	SH	4/09
0989	C	CLARIFY WIRES	BH	9/09



UP SWITCH  
LANDING GEAR CONTROL LEVER

DOWN SWITCH

CABLES TO GEAR DOWN LOCKS

ALL RED LEADS ON BI-COLORED LEDS CONNECT TO THE THROTTLE SWITCH.

1K OHM RESISTOR

RED

GREEN

BI-COLORED LED

MASTER BREAKER

LANDING GEAR BREAKER

25 AMP

20 AMP

MAIN BUSS

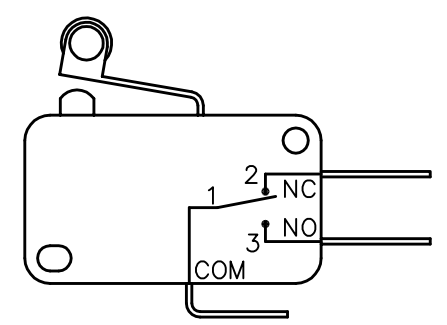
LANDING GEAR BUSS

FRAME GROUND

12V BATTERY

SEE DRAWING T51-04-INS-1114

NC - NORMALLY CLOSED  
 NO - NORMALLY OPEN  
 COM - COMMON



**TITAN AIRCRAFT SUPPLY**  
 1419 STATE ROUTE 45 SOUTH  
 AUSTINBURG, OHIO 44010

DETAIL NAME		ELECTRICAL DIAGRAM - TAILWHEEL		
SCALE	N/A	PART NO.		
ASSEMBLY NAME				
PART NO.		DRAWING NO. E6		
DRAWING NO. B T51-04-INS-1116-C				

DRAWN B. HARE	DATE 9/21/09
CHECKED T. LONG	DATE 9/22/09
APPROVED J. SUTCH	DATE 9/22/09

THIS DOCUMENT PROPRIETARY TO TITAN AIRCRAFT, AND IS NOT TO BE USED, CIRCULATED, REPRODUCED, COPIED, OR DISCLOSED IN ANY MANNER WITHOUT PRIOR WRITTEN PERMISSION OF AN AUTHORIZED OFFICIAL OF TITAN AIRCRAFT.