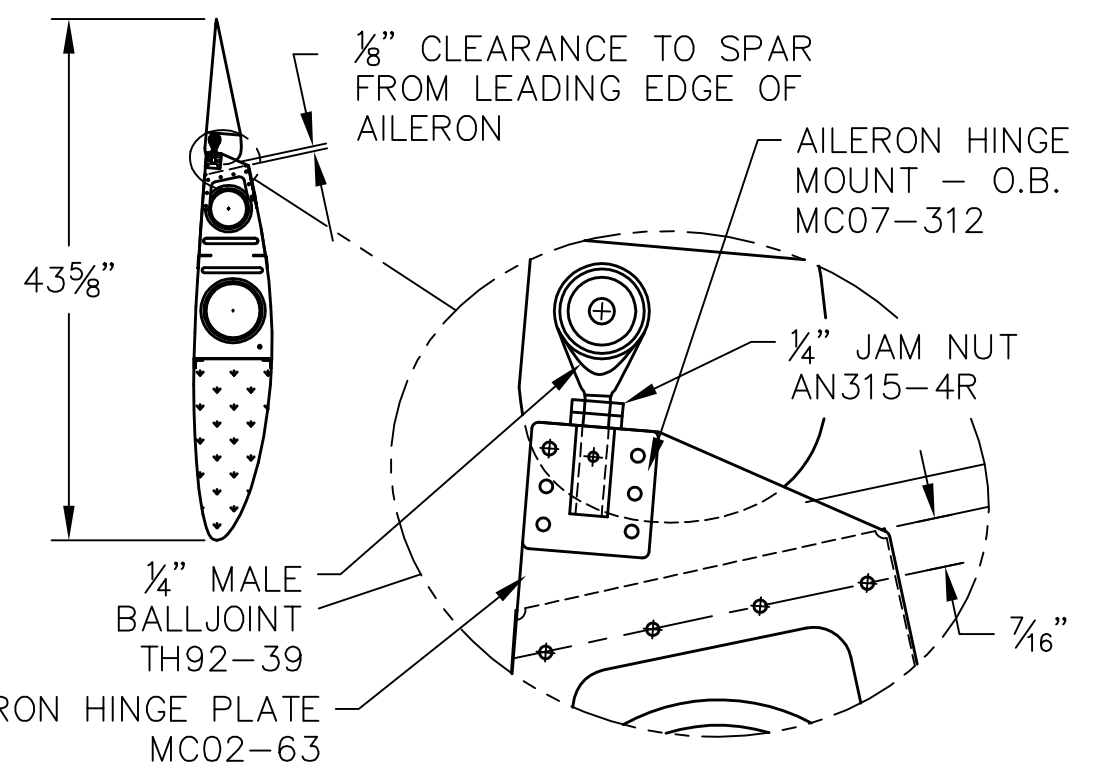
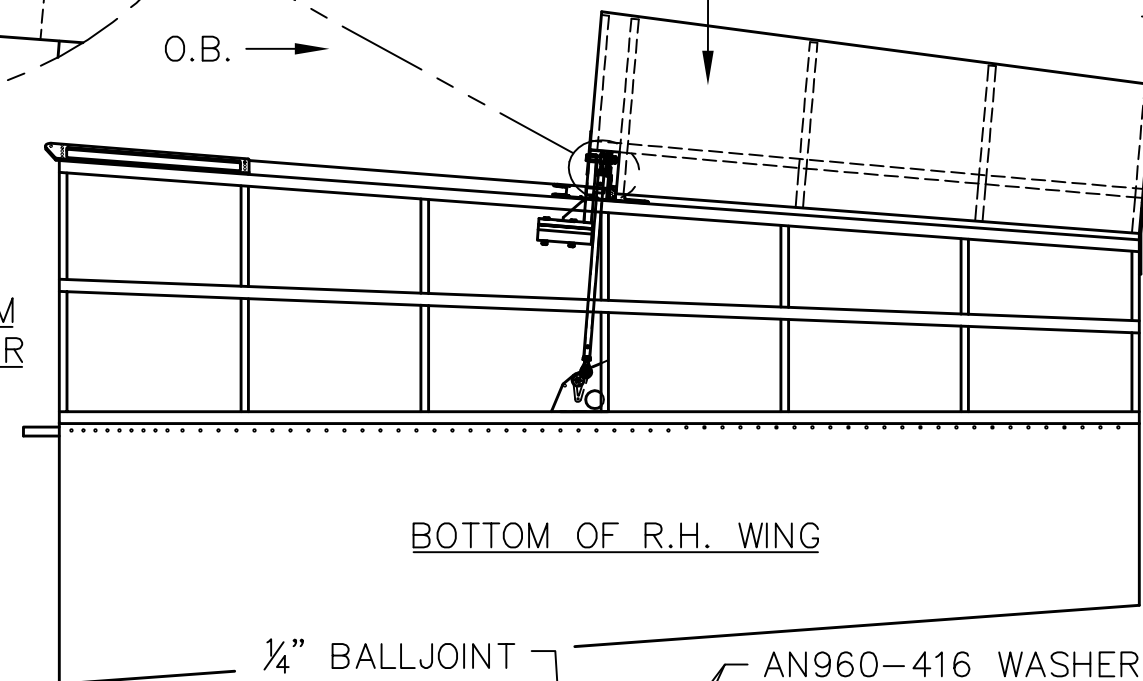
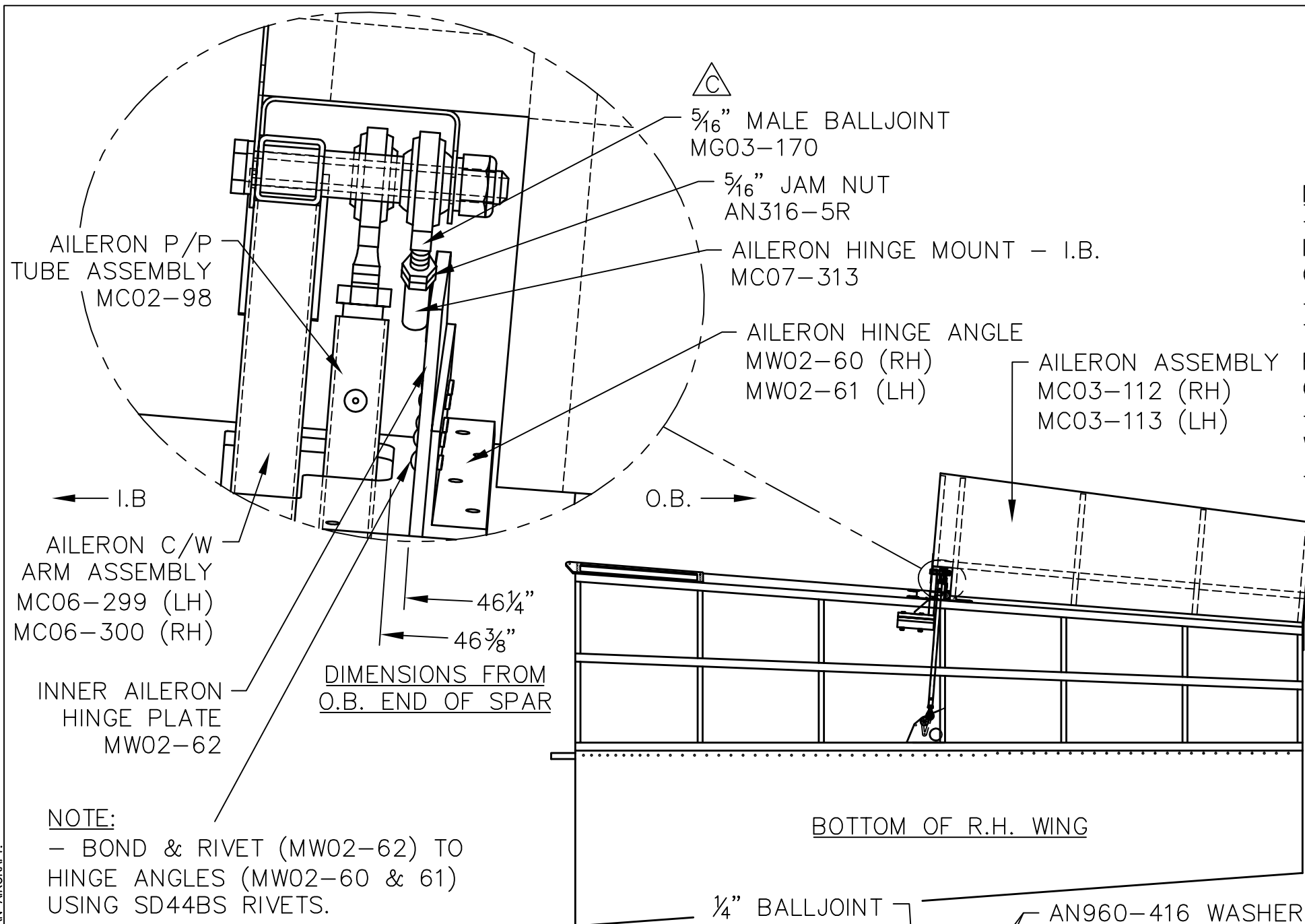


REVISIONS

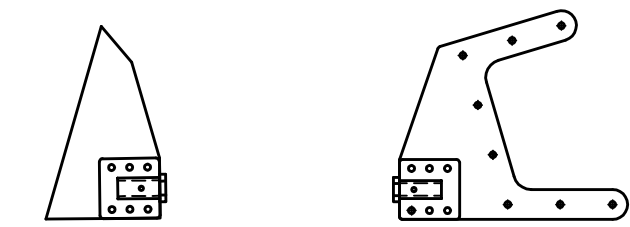
E.C. NO.	REV.	DESCRIPTION	BY	DATE
0409	B	DRAWING UPDATED	SH	1/07
0599	C	NOTES ADDED/CHANGED	SH	1/08
0867	D	UPDATED DRAWING	SH	2/09

NOTE:

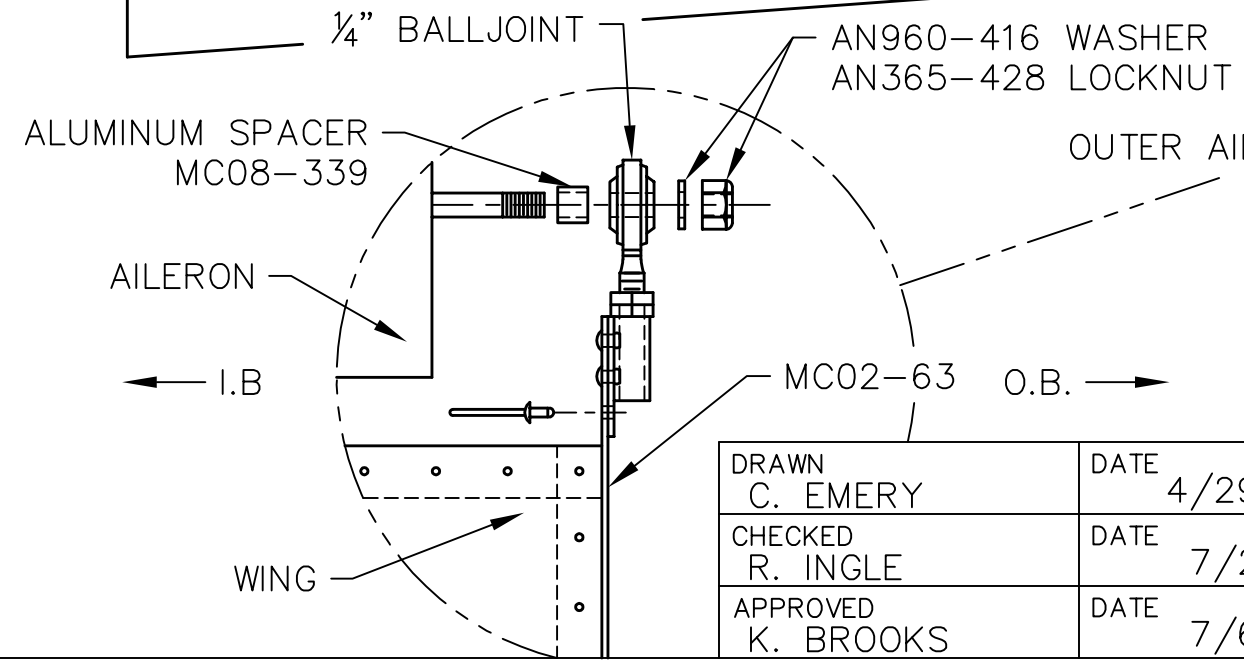
- SEE DRAWING T51-06-DT-1496, FOR DETAILED INSTRUCTIONS ON THE INNER AILERON HINGE & COUNTERWEIGHT INSTALLATION.
- BOND AND RIVET HINGE MOUNTS (MC07-312 & 313) TO THE HINGE PLATES (MW02-62 & MC02-63) USING SD43BS RIVETS, ALL RIVET HEADS MUST FACE I.B. TO PREVENT CONTACT FROM THE AILERON.
- ADJUST THE AILERONS UP & DOWN, SO THAT THE UPPER WING SKIN IS ABOVE BY APPROX. 1/8".
- ADJUST 43 5/8" DIMENSION TO FIT WING TIP CHORD LENGTH.



NOTE:
- BOND & RIVET (MW02-62) TO HINGE ANGLES (MW02-60 & 61) USING SD44BS RIVETS.



I.B. HINGE O.B. HINGE
RH PARTS SHOWN
LH OPPOSITE



TITAN AIRCRAFT SUPPLY
1419 STATE ROUTE 45 SOUTH
AUSTINBURG, OHIO 44010

DRAWN C. EMERY		DATE 4/29/04	DETAIL NAME AILERON INSTALLATION	
CHECKED R. INGLE		DATE 7/2/10	SCALE 1/16"=1"	PART NO.
APPROVED K. BROOKS		DATE 7/6/10	DRAWING NO. C5	
			DRAWING NO. B T51-04-INS-1082-D	

THIS DOCUMENT PROPRIETARY TO TITAN AIRCRAFT, AND IS NOT TO BE USED, CIRCULATED, REPRODUCED, COPIED, OR DISCLOSED IN ANY MANNER WITHOUT PRIOR WRITTEN PERMISSION OF AN AUTHORIZED OFFICIAL OF TITAN AIRCRAFT.