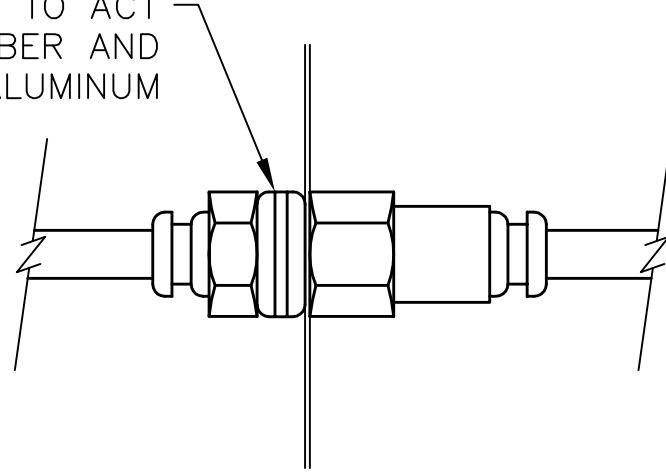
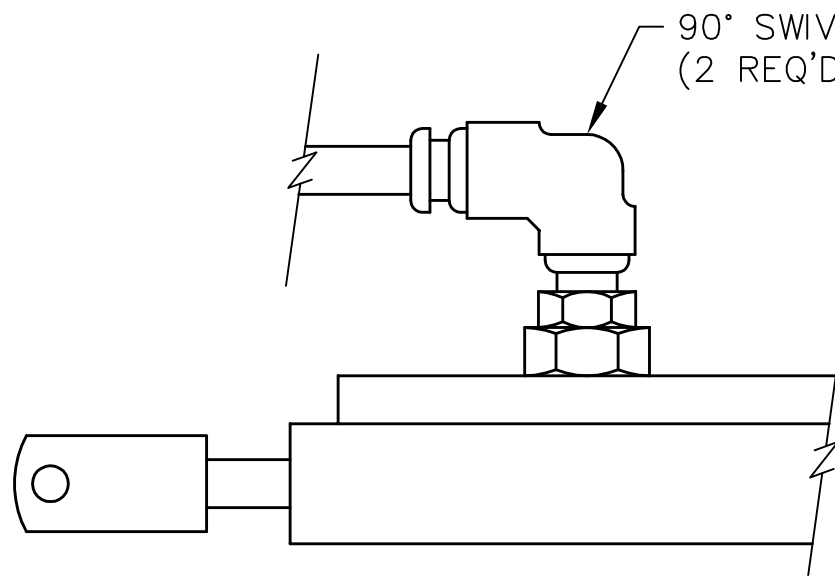


RUBBER GROMMET TO ACT AS A SHOCK ABSORBER AND TO COMPRESS TO THE ALUMINUM



TYP. BULKHEAD ASSEMBLY
USE 1/4" TO 1/8" FEMALE
AND 1/4" TO STRAIGHT

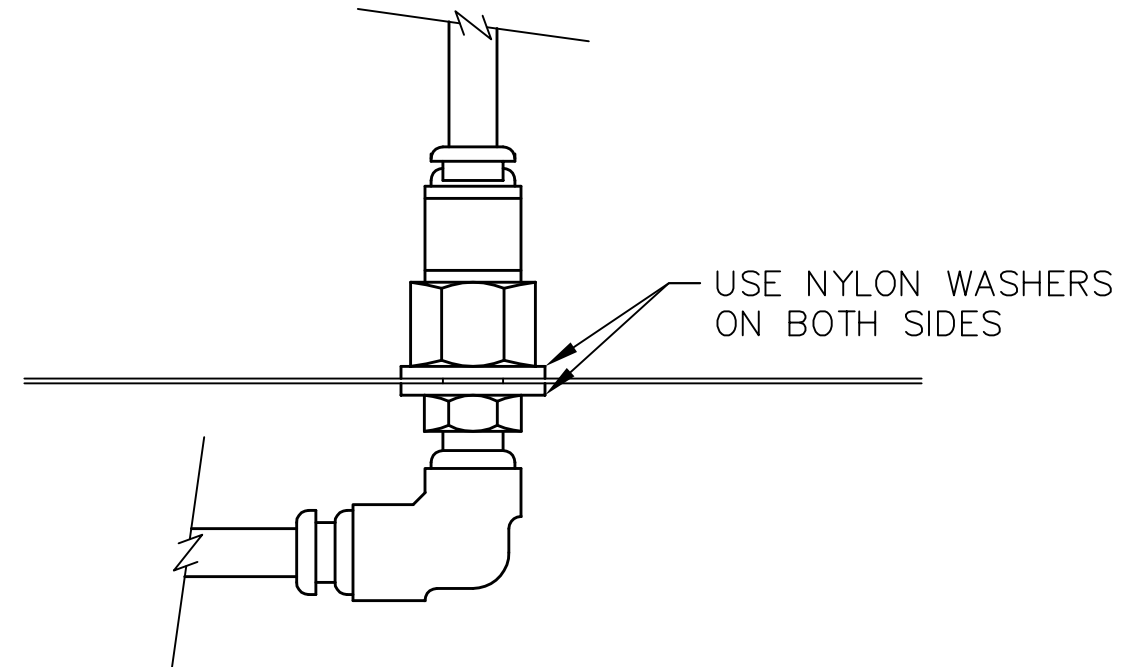
90° SWIVEL FITTING
(2 REQ'D. PER CYLINDER)



BRAKE MASTER CYLINDER

REVISIONS

E.C. NO.	REV.	DESCRIPTION	BY	DATE
	A	DRAWING RELEASED	CE	3/04
1069	B	CHANGED 90° FITTING SETUP	BH	6/10



TYP. 90° THRU FITTING



TITAN AIRCRAFT SUPPLY
1419 STATE ROUTE 45 SOUTH
AUSTINBURG, OHIO 44010

DETAIL NAME HYDRAULIC BRAKE LINE FITTING INSTRUCTIONAL

DRAWN C. EMERY	DATE 3/3/04
CHECKED R. INGLE	DATE 6/21/10
APPROVED K. BROOKS	DATE 6/21/10

SCALE 1"=1"	PART NO.
ASSEMBLY NAME	
PART NO.	DRAWING NO. H1
DRAWING NO. B T51-04-INS-1055-B	

THIS DOCUMENT PROPRIETARY TO TITAN AIRCRAFT. AND IS NOT TO BE USED, CIRCULATED, REPRODUCED, COPIED, OR DISCLOSED IN ANY MANNER WITHOUT PRIOR WRITTEN PERMISSION OF AN AUTHORIZED OFFICIAL OF TITAN AIRCRAFT.