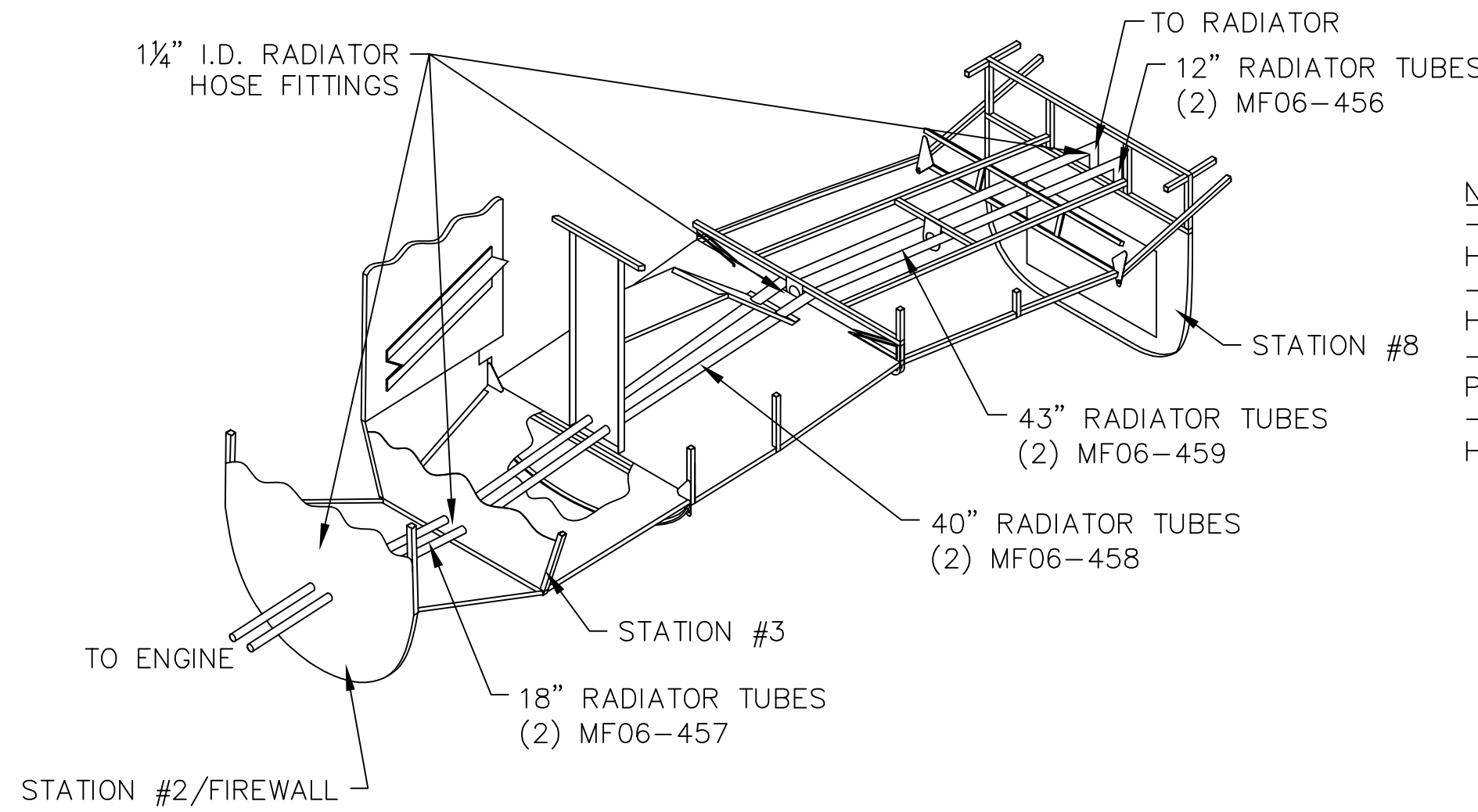
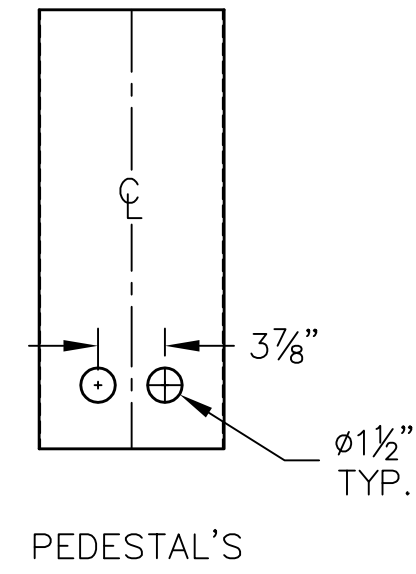
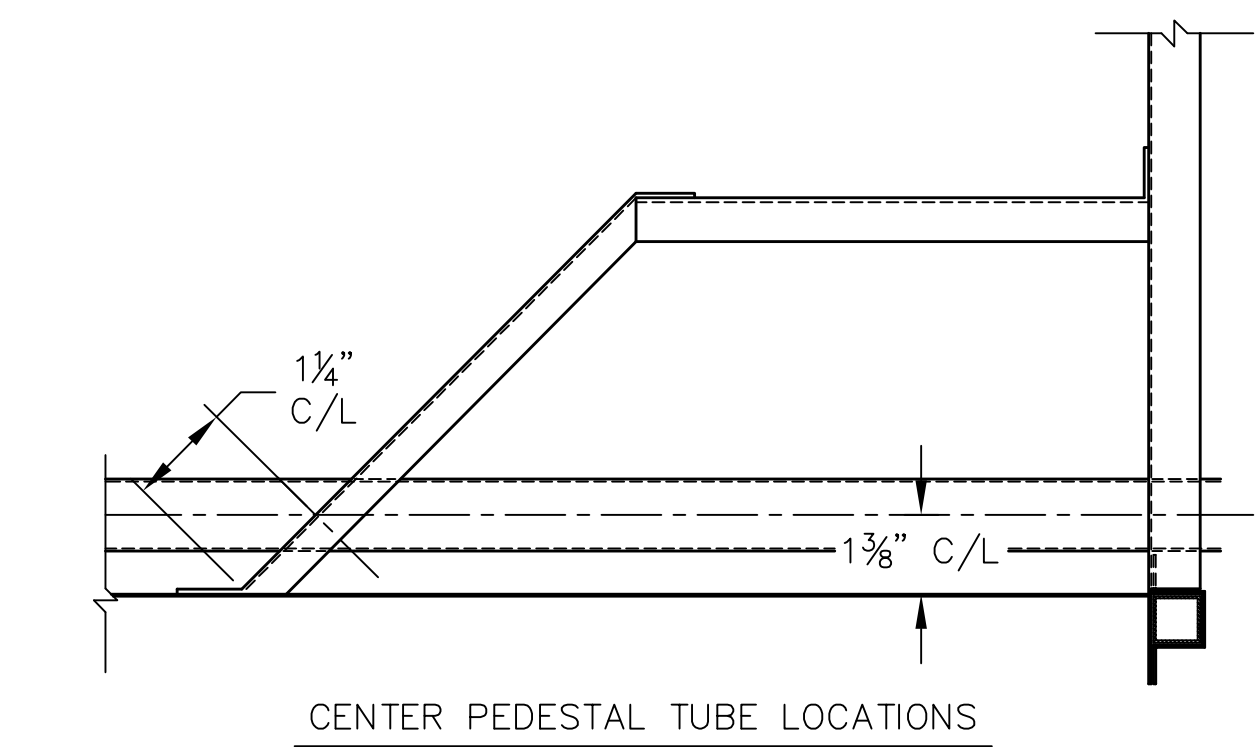


REVISIONS

E.C. NO.	REV.	DESCRIPTION	BY	DATE
	A	DRAWING RELEASED	CE	1/04
0953	B	UPDATED DRAWING	SH	5/09



NOTES:  
 - REFER TO DRAWING T51-06-INS-1487 FOR RADIATOR TUBE HOLE PLACEMENT IN STATION #2/FIREWALL.  
 - REFER TO DRAWING T51-04-INS-1041 FOR RADIATOR TUBE HOLE PLACEMENT IN STATION #3.  
 - USE 1 1/4" RUBBER GROMMETS (MH08-108) IN ALL HOLES TO PROTECT TUBES FROM ALUMINUM.  
 - IT IS RECOMMENDED TO WRAP THE RADIATOR TUBES WITH HEAT WRAP TO REDUCE CABIN HEAT. (NOT SUPPLIED)



DRAWN C. EMERY	DATE 1/13/04
CHECKED R. INGLE	DATE 7/1/09
APPROVED K. BROOKS	DATE 8/7/09

**TITAN AIRCRAFT SUPPLY**  
 1419 STATE ROUTE 45 SOUTH  
 AUSTINBURG, OHIO 44010

DETAIL NAME COOLANT LINE ROUTING INSTRUCTIONAL  
 SCALE N/A PART NO.  
 ASSEMBLY NAME  
 PART NO. DRAWING NO. F23  
 DRAWING NO. **B T51-04-INS-1000-B**

THIS DOCUMENT PROPRIETARY TO TITAN AIRCRAFT, AND IS NOT TO BE USED, CIRCULATED, REPRODUCED, COPIED, OR DISCLOSED IN ANY MANNER WITHOUT PRIOR WRITTEN PERMISSION OF AN AUTHORIZED OFFICIAL OF TITAN AIRCRAFT.