

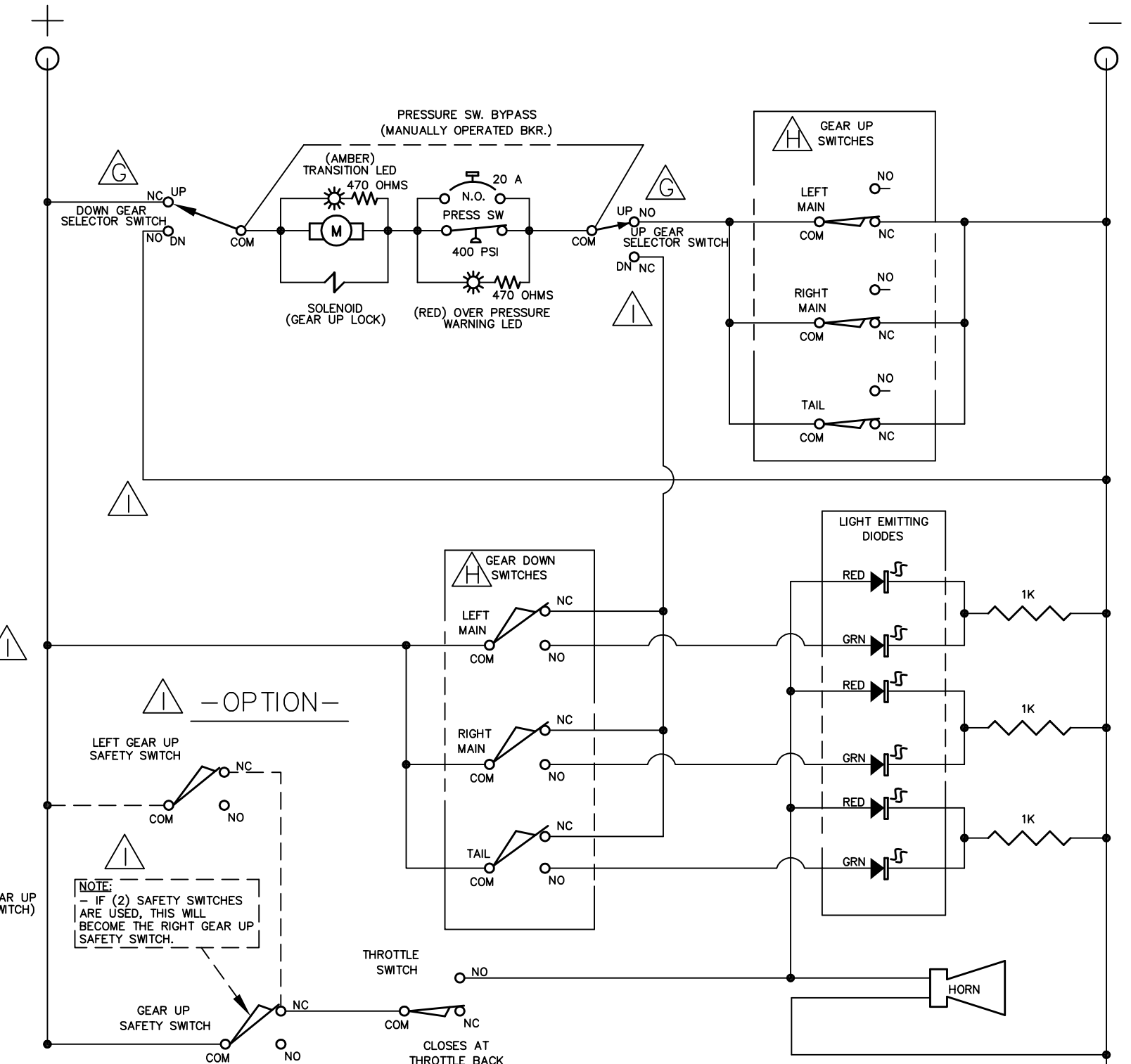
THIS DOCUMENT PROPRIETARY TO TITAN AIRCRAFT, AND IS NOT TO BE USED, CIRCULATED, REPRODUCED, COPIED, OR DISCLOSED IN ANY MANNER WITHOUT PRIOR WRITTEN PERMISSION OF AN AUTHORIZED OFFICIAL OF TITAN AIRCRAFT.

REVISIONS

E.C. NO.	REV.	DESCRIPTION	BY	DATE
0393	G	NOTES CHANGED	SH	12/06
0538	H	NOTES CHANGED	SH	10/07
0787	I	CURRENT RE-ROUTED	SH	10/08
0986	J	CLARIFY WIRES	BH	9/09

NOTE:

- SCHEMATIC SHOWN WITH GEAR IN UP TRANSITION.
- NORMALLY OPEN CONTACTS ON THE LANDING GEAR UP SWITCHES, NOT USED. ONLY TWO WIRES ARE CONNECTED TO THESE SWITCHES.
- GEAR WARNING HORN IS NOT SUPPLIED BY TITAN. THEY CAN BE PURCHASED AT RADIO SHACK; P/N 273-068, 80dB PIEZO PULSE BUZZER OR EQUIVALENT.
- ALL WIRES EXCEPT THOSE GOING TO THE SAFETY SWITCHES, THROTTLE SWITCH, GEAR WARNING HORN, AND THE LIGHT EMITTING DIODES ARE #14 AWG (2,5MM²)
- WIRES FOR SAFETY SWITCHES, THROTTLE SWITCH, GEAR WARNING HORN, AND LIGHT EMITTING DIODES CAN BE AS SMALL AS #20 AWG (0,5MM²)

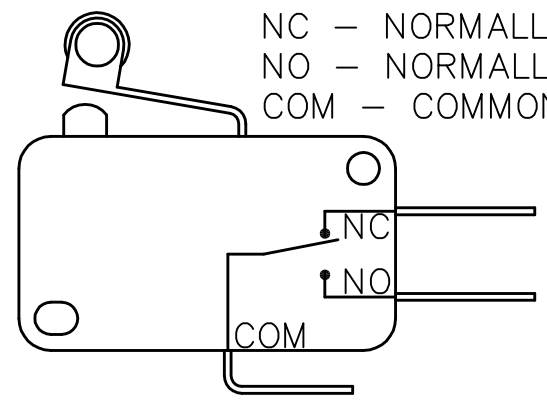


- OPTION -

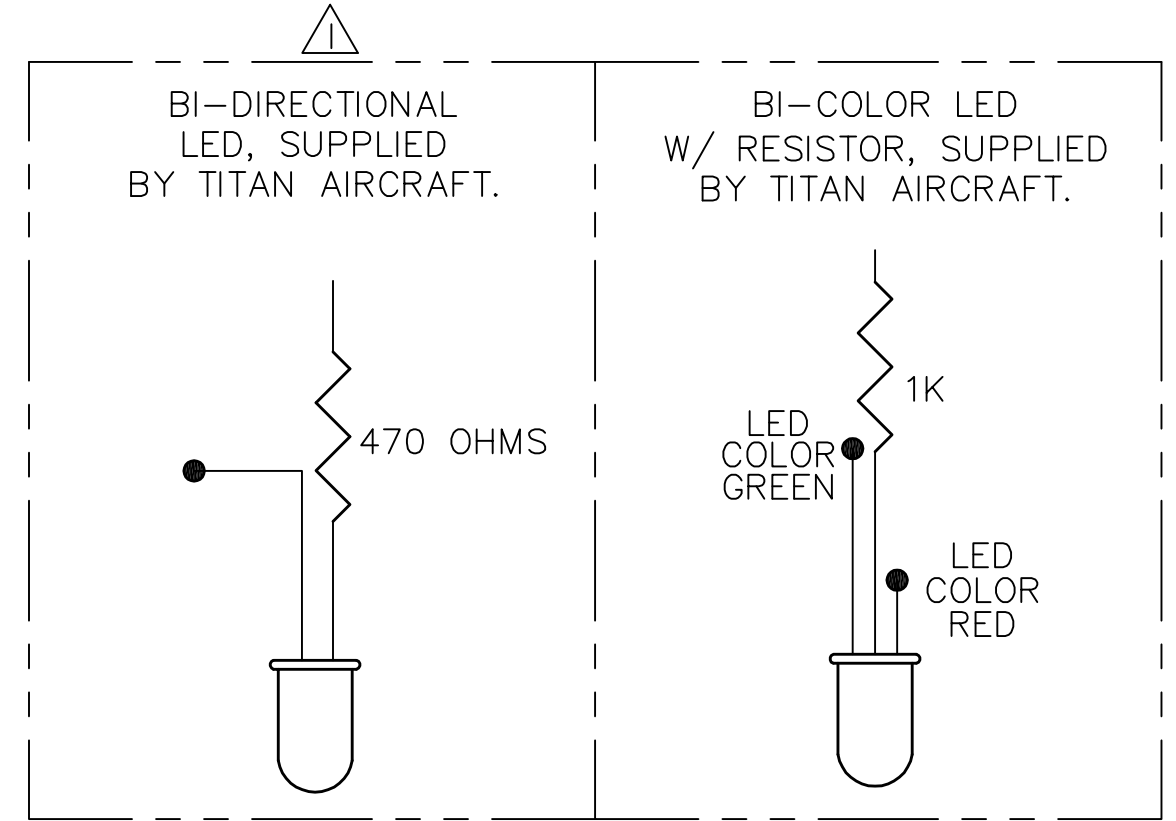
NOTE:
- IF (2) SAFETY SWITCHES ARE USED, THIS WILL BECOME THE RIGHT GEAR UP SAFETY SWITCH.

SWITCH OPENS WHEN GEAR IS LOCKED IN DOWN POSITION. (SWITCH LOCATED ON GEAR DOWN SW. BRACKET)

NOTES:
- THE LEFT & RIGHT GEAR UNSAFE SWITCHES ARE GANGED WITH THE LEFT & RIGHT GEAR DOWN SWITCHES RESPECTIVELY.
- OPERATION WHEN THE GEAR IS UP & THROTTLE IS PULLED BACK, THE HORN WILL SOUND & THE RED LED'S WILL LIGHT.
- WHEN THE GEAR IS DOWN & LOCKED POWER IS REMOVED FROM THE THROTTLE SWITCH & NO POWER IS APPLIED TO EITHER THE HORN OR THE RED LED'S.



NC - NORMALLY CLOSED
NO - NORMALLY OPEN
COM - COMMON



TITAN AIRCRAFT SUPPLY
1419 STATE ROUTE 45 SOUTH
AUSTINBURG, OHIO 44010

MATERIAL	
DRAWN B. HARE	DATE 9/18/09
CHECKED T. LONG	DATE 9/22/09
APPROVED J. SUTCH	DATE 9/22/09

DETAIL NAME LANDING GEAR ELECTRICAL SCHEMATIC - SIMPLIFIED	
SCALE	PART NO.
ASSEMBLY NAME EARLY MODELS	
PART NO.	DRAWING NO. E1
DRAWING NO. B T51-03-INS-0947-J	