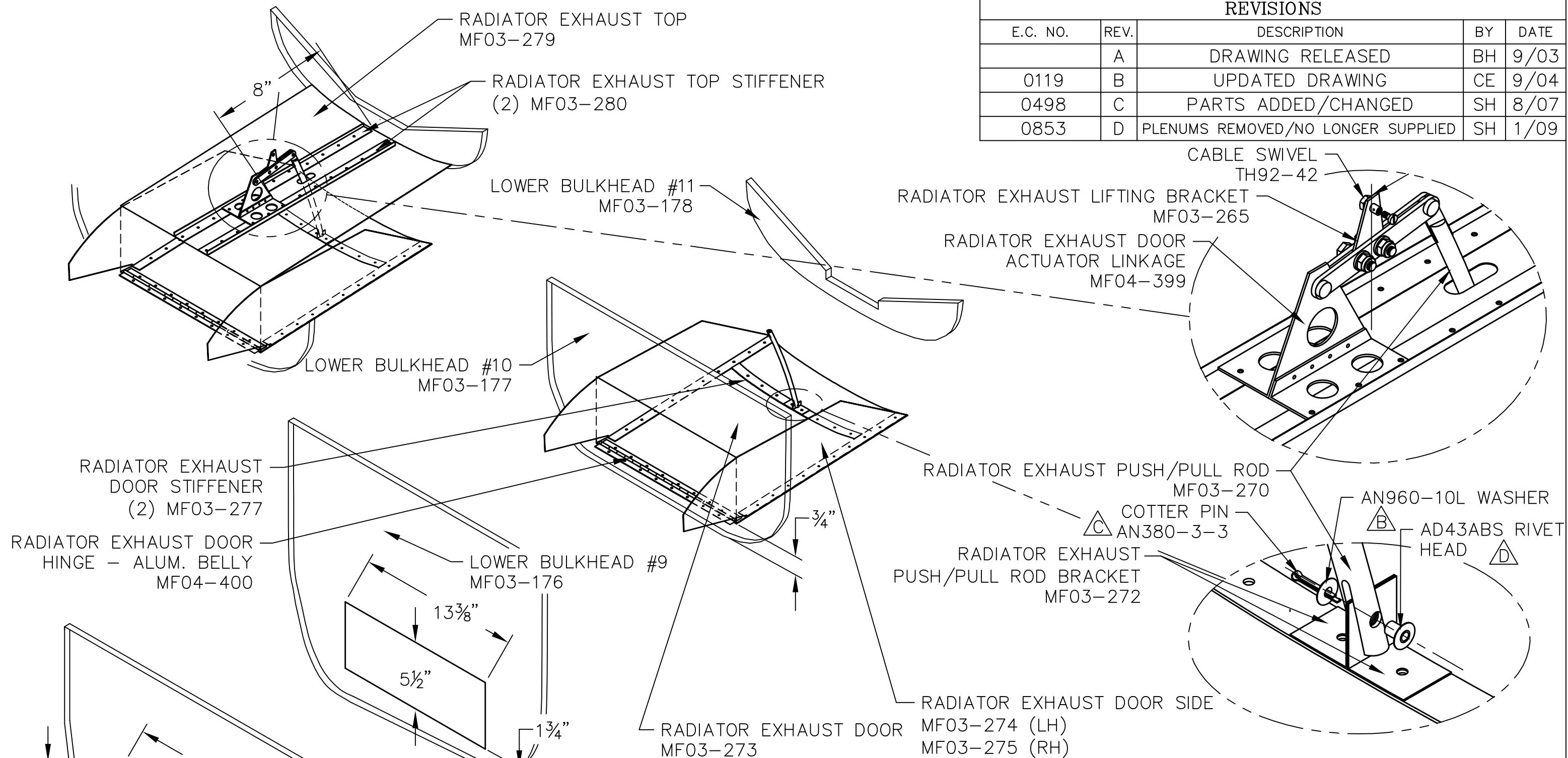


THIS DOCUMENT PROPRIETARY TO TITAN AIRCRAFT, AND IS NOT TO BE USED, CIRCULATED, REPRODUCED, COPIED, OR DISCLOSED IN ANY MANNER WITHOUT PRIOR WRITTEN PERMISSION OF AN AUTHORIZED OFFICIAL OF TITAN AIRCRAFT.

REVISIONS				
E.C. NO.	REV.	DESCRIPTION	BY	DATE
	A	DRAWING RELEASED	BH	9/03
0119	B	UPDATED DRAWING	CE	9/04
0498	C	PARTS ADDED/CHANGED	SH	8/07
0853	D	PLENUMS REMOVED/NO LONGER SUPPLIED	SH	1/09



NOTES:
 - UNDER CUT ALL OPENINGS IN BULKHEADS #8 THRU #10 BY 1". THIS WILL BECOME A FLANGE TO ATTACH TOP PLENUM TO AND TO HELP STIFFEN BULKHEADS.
 - THE RADIATOR ATTACHES TO THE BACKSIDE OF BULKHEAD #8 (REFER TO T51-06-INS-1485.)

TITAN AIRCRAFT SUPPLY
 1419 STATE ROUTE 45 SOUTH
 AUSTINBURG, OHIO 44010

DETAIL NAME	RADIATOR EXHAUST INSTALLATION		
SCALE	N/A	PART NO.	
ASSEMBLY NAME	FOR AIRCRAFT WITH ALUMINUM BELLY		
PART NO.		DRAWING NO.	F42
DRAWING NO.	B T51-03-INS-0901-D		

DRAWN	B. HODGKINSON	DATE	9/24/03
CHECKED	RI	DATE	1/21/09
APPROVED	KORY B.	DATE	1/22/09