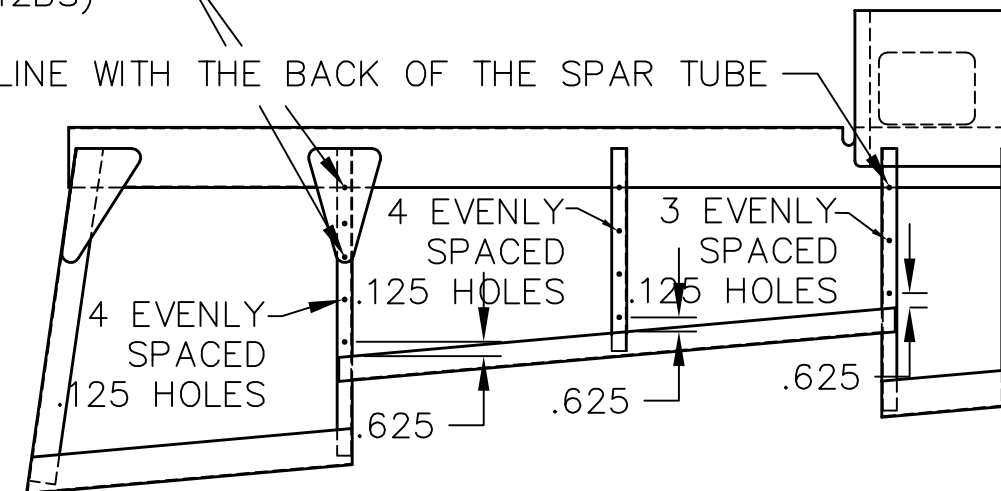
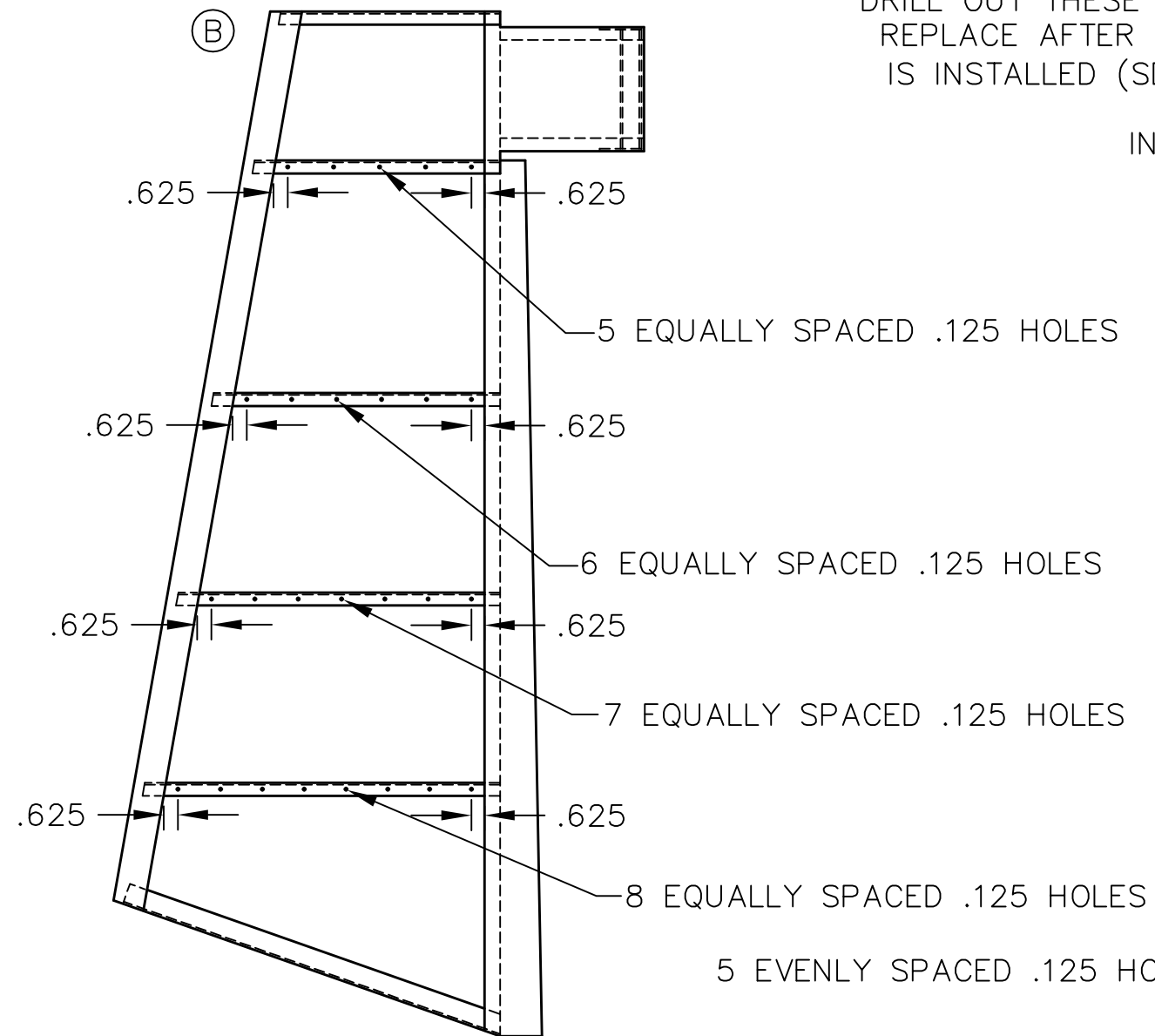


REVISIONS

E.C. NO.	REV.	DESCRIPTION	BY	DATE
	A	DRAWING RELEASED	BH	7/03
0107	B	UPDATED RUDDER	CE	8/04

DRILL OUT THESE RIVETS
REPLACE AFTER FABRIC
IS INSTALLED (SD42BS)

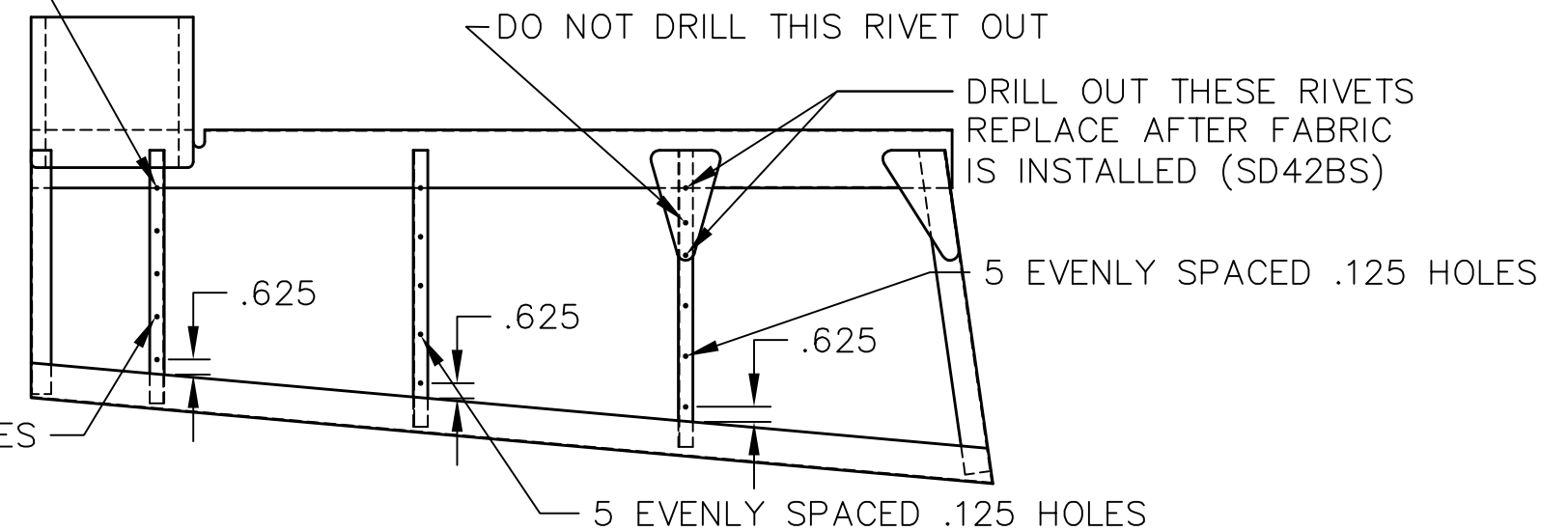
IN LINE WITH THE BACK OF THE SPAR TUBE



IN LINE WITH THE BACK OF THE SPAR TUBE

DO NOT DRILL THIS RIVET OUT

DRILL OUT THESE RIVETS
REPLACE AFTER FABRIC
IS INSTALLED (SD42BS)



NOTE:
USE AD42ABSLF WIDE FLANGE RIVETS
TO HOLD THE FABRIC TO THE RIBS,
EXCEPT WHERE NOTED.
(SEE POLY FIBER MANUAL)

WHERE SD42BS RIVETS ARE CALLED
OUT, USE 1/4" WASHERS BETWEEN
THE RIVET HEADS AND THE FABRIC.



TITAN AIRCRAFT SUPPLY
1419 STATE ROUTE 45 SOUTH
AUSTINBURG, OHIO 44010

MATERIAL	
DRAWN B. HODGKINSON	DATE 8/29/03
CHECKED GAT	DATE 2/24/06
APPROVED JW	DATE 3/8/06

DETAIL NAME FABRIC RIVET LAYOUT	
SCALE N/A	PART NO.
ASSEMBLY NAME	
PART NO.	DRAWING NO.
DRAWING NO. B T51-03-INS-0864-B	

THIS DOCUMENT PROPRIETARY TO TITAN AIRCRAFT, AND IS NOT TO BE USED, CIRCULATED, REPRODUCED, COPIED, OR DISCLOSED IN ANY MANNER WITHOUT PRIOR WRITTEN PERMISSION OF AN AUTHORIZED OFFICIAL OF TITAN AIRCRAFT.