

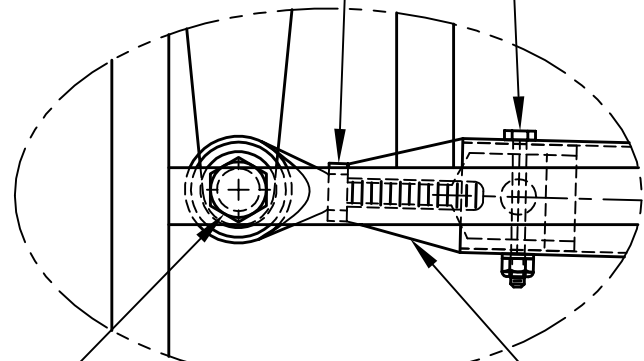
THIS DOCUMENT PROPRIETARY TO TITAN AIRCRAFT, AND IS NOT TO BE USED, CIRCULATED, REPRODUCED, COPIED, OR DISCLOSED IN ANY MANNER WITHOUT PRIOR WRITTEN PERMISSION OF AN AUTHORIZED OFFICIAL OF TITAN AIRCRAFT.

**REVISIONS**

E.C. NO.	REV.	DESCRIPTION	BY	DATE
	A	DRAWING RELEASED	BH	7/03
0115	B	ADDED NOTE	CE	8/04
0514	C	DRAWING REVISED	SH	8/07
0847	D	HARDWARE CHANGED	SH	1/09

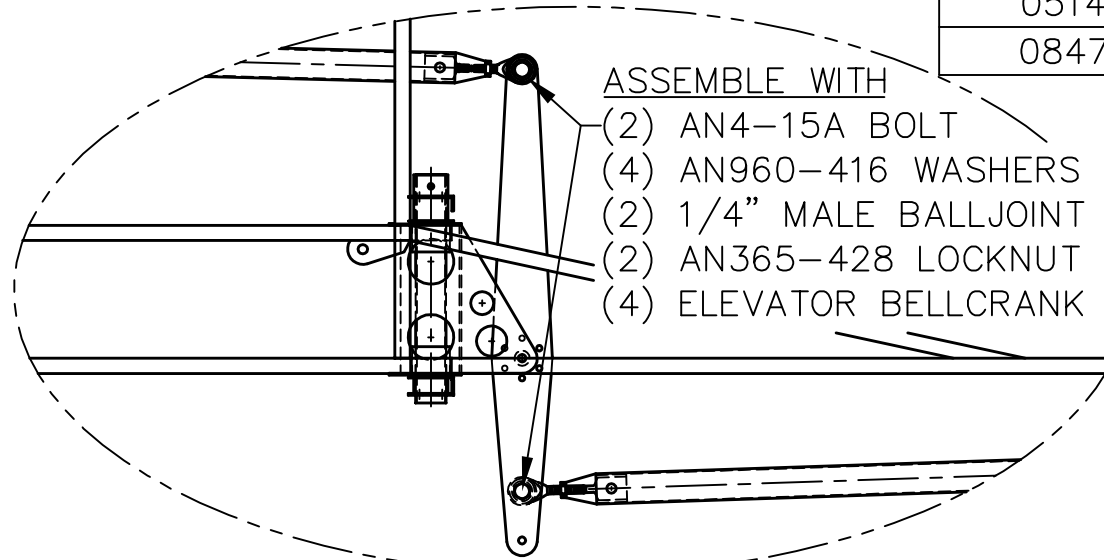
**(B) NOTE:**  
 - DRILL A 3/16" HOLE 90° FROM THE EXISTING 5/16" HOLE.  
 USE AN3-13A BOLT, AN960-10 WASHER, AND AN364-1032 LOCKNUT TO ATTACH THE PUSH/PULL TUBE ENDS.

1/4" JAM NUT  
 (4) AN315-4R



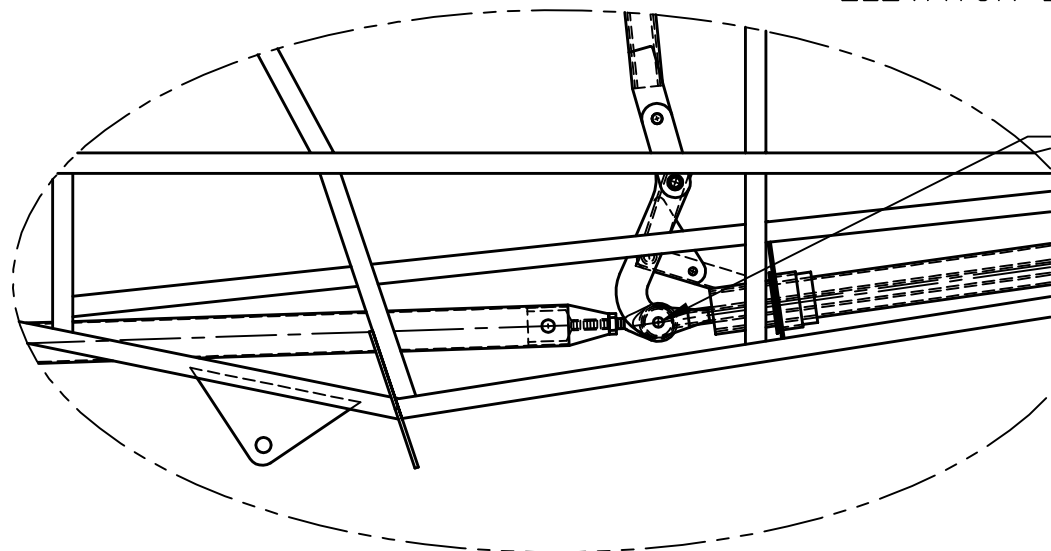
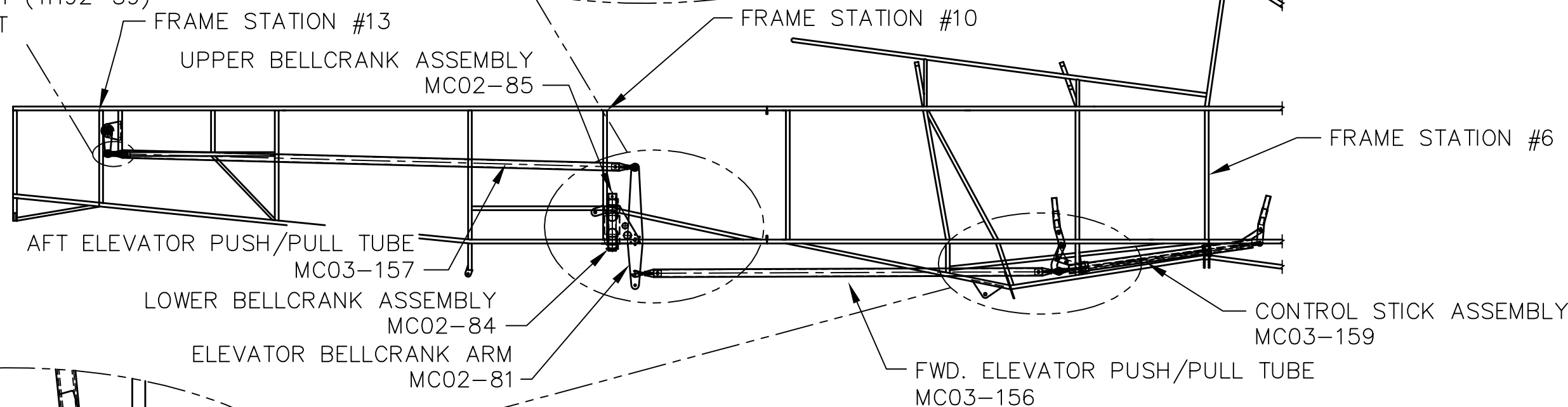
ASSEMBLE WITH  
 (1) AN4-14A BOLT  
 (2) AN960-416 WASHER  
 (1) 1/4" MALE BALLJOINT (TH92-39)  
 (1) AN365-428 LOCKNUT

P/P TUBE END  
 (4) TC91-4



ASSEMBLE WITH  
 (2) AN4-15A BOLT  
 (4) AN960-416 WASHERS  
 (2) 1/4" MALE BALLJOINT (TH92-39)  
 (2) AN365-428 LOCKNUT  
 (4) ELEVATOR BELLCRANK SPACERS (MC03-197)

**NOTE:**  
 - REFER TO T51-03-INS-0810 FOR CONTROL STICK INSTRUCTIONS.



ASSEMBLE WITH  
 (1) AN4-15A BOLT  
 (4) AN960-416 WASHERS  
 (1) 1/4" BALLJOINT (TH92-39)  
 (1) AN365-428 LOCKNUT  
 (2) 1/4" NYLON WASHERS (MH03-11)

**TITAN AIRCRAFT SUPPLY**  
 1419 STATE ROUTE 45 SOUTH  
 AUSTINBURG, OHIO 44010

DETAIL NAME		PUSH/PULL TUBE LOCATION	
SCALE	N/A	PART NO.	
ASSEMBLY NAME			
PART NO.		DRAWING NO. C2	
DRAWING NO. B		T51-03-INS-0826-D	

DRAWN	B. HODGKINSON	DATE	7/14/03
CHECKED	R. INGLE	DATE	2/20/09
APPROVED	K. BROOKS	DATE	10/6/09